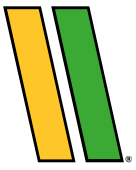


JOSKIN®

LIVESTOCK AND GRASS CARE

THE ESSENTIALS FOR YOUR NEEDS AS CATTLE FARMERS!





6 KEYS to Success

1



STRENGTH OF EXPERIENCE

With over **50 years of experience** and over **120,000 machines sold** throughout the world, JOSKIN puts its resources at the service of the farmer by offering products adapted to the evolution of the agricultural world. To see through this mission, we are constantly investing in the design and production of your machines. Either in the research and development of new solutions, in production techniques or in the search for better materials, we are working hard to keep improving the production standards in order to offer you the best agricultural machinery.

2



TECHNICAL SKILLS WITHIN

To meet your requirements for agricultural machinery, we opt for **high-quality materials** and our factories are equipped with **state-of-the-art precision tools**. We use, among other things, 3D dynamic simulation, automated cutting lasers, press brakes, high tensile steel, hot-dip galvanising (galvanising unit of the JOSKIN Group), automated continuous welding (performed by robots), robotic machining, etc. Mastered technology and knowledge **for an uncompromising quality**.

3



BUY WITH CONFIDENCE

All products manufactured by JOSKIN have a **3-year warranty** against manufacturing defects, which includes 1 year on everything, followed by 2 years on parts manufactured by JOSKIN. Thanks to the chassis number, JOSKIN guarantees a perfect traceability of its machines in order to always find the necessary parts in case of repair. JOSKIN is one of the only manufacturers in the agricultural industry to offer such a long warranty period, without limitation of hours or wear, as well as an individualised parts book for each machine



4

RESEARCH AND DEVELOPMENT



In order to efficiently and quickly face the constant evolution of your needs regarding agricultural machinery, JOSKIN has a **multidisciplinary team** made of engineers, draughtsmen and field workers, who focuses daily on the research and **development of innovative solutions**. State-of-the-art dynamic three-dimensional engineering software helps the team to the research and development of ever more efficient machines. The production is standardised to the maximum in order to guarantee a precise and reliable manufacturing over time, while offering hundreds of options!

5

AT THE SERVICE OF OUR CUSTOMERS

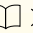


Victor Joskin, founder of the JOSKIN brand, has always considered the spare parts as the nerve centre of the Group: without spare parts, no repair possible. Given **the permanent stocks of spare parts**, we guarantee their availability even years later, which will secure the value of your machine through time. Either regarding the pre-sales advising or the after-sales service, we are working hard to ensure you an experience that meets your expectations.

6

INDIVIDUALISED PARTS BOOK



Each machine has its own individual parts book. Indeed, at JOSKIN, the parts book and the user's manual are supplied with your purchase. They are also available at any time online via the book icon () on the JOSKIN website (www.joskin.com). They include the drawings and part numbers of the components fitted to your machine so that, even years later, you can order spare parts efficiently. The parts book therefore guarantees that your equipment will be of **undeniable value over time**.

JOSKIN®

LIVESTOCK AND GRASS CARE

THE ESSENTIALS FOR YOUR NEEDS AS CATTLE FARMERS!

▶ Anchored in a grassland area, JOSKIN has always been close to customers looking for quality implements allowing them to efficiently take care of their pastures. Convinced that growing grass is a full-time job necessary to get a good quality final product, JOSKIN has rapidly made it one of its specialties. The company now benefits from the industrialisation of its production force to keep innovating and offer implements that are even easier to use and more efficient.

The JOSKIN rotary pasture toppers and choppers equip your tractor to make your meadows greener, more regular and richer in no time. The range of aerators allows to efficiently maintain and regenerate your meadow and, in this way make sure there is enough quality grass at all times. The JOSKIN livestock trailers offer a high level of comfort for the animals and ease of use for the farmer. In the same vein, JOSKIN has developed a range of water bowsers providing optimal watering conditions for livestock, while ensuring a maximum handling comfort for the farmer.





ATR/270/C3 rotary pasture topper



TR/270/C3 rotary pasture topper

CHOPPERS & ROTARY PASTURE TOPPERS



BJ/315/C2 chopper



BEV chopper



TR/270/DTH3 rotary pasture topper



TRT/750/C6 rotary pasture topper

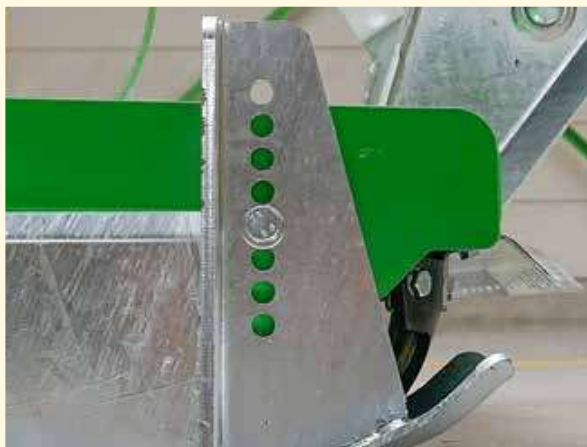
GENERAL POINTS



DESIGN

The JOSKIN choppers and rotary pasture toppers are **sturdy, efficient and energy-saving** machines. Their structure meets the needs of agriculture (mowing of leftovers, fallow land, etc.) and horticulture (maintenance of green spaces, brush cutting, etc.). They are designed for an optimal use. A floating coupling system and 2 XXL skids¹ ensure that the machine **follows the ground relief** and **glides smoothly**. Removable, self-retractable floating blades¹ retract in case of obstacles to **protect the machine against shocks**. In general, the large clearance between the blades and the frame allows air to circulate, thus ensuring that the cut material is mixed without the risk of blockage.

¹ See p. 12 "Tools"



CUTTING WORK

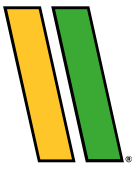
All frames of the range have an 8-position height adjustment system to adapt the mowing to the conditions encountered. Each machine also uses a horizontal cutting device that ensures a **clean, straight cut** of the grass, preventing it from being damaged and fostering a rapid growth. The cutting work is maximised by the design of the machine frames, whose structure improves the "tornado" effect created by the rotation of the rotors. The vegetation is thus powerfully sucked upwards and held in the movement of the knives, even in the event of damp weather. Once finely chopped, the grass is **uniformly spread** by means of the deflectors under the frame.



MAINTENANCE AND SAFETY

The JOSKIN choppers and rotary pasture toppers are coated with an anti-corrosion paint providing a long-term protection against external aggressions. The sober and timeless design of their special high tensile steel frame is specifically developed to prevent water from stagnating and therefore **making cleaning operations easier**. Using a high-pressure cleaner will be enough to get an implement back in its original state. With a view to safety, and in order to be able to concentrate 100% on mowing, JOSKIN offers a **wide range of prevention devices**: inaccessibility of the blades in the working position, anti-projection chains¹, galvanised discs¹ preventing the blades from rubbing against hard surfaces, etc.

¹ See p. 12 "Tools"



BEV & BJ

VERSATILE IN ALL SITUATIONS

BEV and BJ choppers are an excellent compromise between **lightness, sturdiness and ease of use**. Their hyperventilated horizontal cutting process ensures a clean cut into fine strands, facilitates the distribution of the residues on the ground and also accelerates their decomposition. The BEV is particularly suitable for smaller tractors (12 to 60 hp) for the maintenance of small green spaces of all kinds (parks, sports fields, meadows, etc.). The BJ, on the other hand, is more powerful and can cut fibrous materials with a large diameter (up to 30 mm). It is very effective on fallow land or for other intensive work such as brush clearing, etc.

BEV



ROTOR AND FRAME

Mounted directly on its speed-increasing gearbox, the rotor of the BEV drives no less than 3 floating blades at a speed of 320 km/h, which ensures a **smooth and even cut** of the grass. For mulching, the machine can be completely closed to keep the grass in the rotor for longer, thus producing an even finer result.



HITCH

Rear-mounted, the BEV is fitted with a floating hitch system **following the ground relief perfectly**, for a maximal working precision. The hitch system of the BEV chopper also offers the possibility of a slight offset to the left or right to move the mower out of the track of one of the tractor wheels.

BJ



VERSATILITY

The XXL size of the BJ blades covers a large area. Their weight (2.14 kg/piece) ensures an inertia that allows them to cut through a very dense vegetation. In case of obstacles, 4 rubber shock absorbers on the drive shafts absorb the shocks from the rotors. This quadruple torsion security makes the transmission very flexible in order to **adapt to any type of fallow land**.



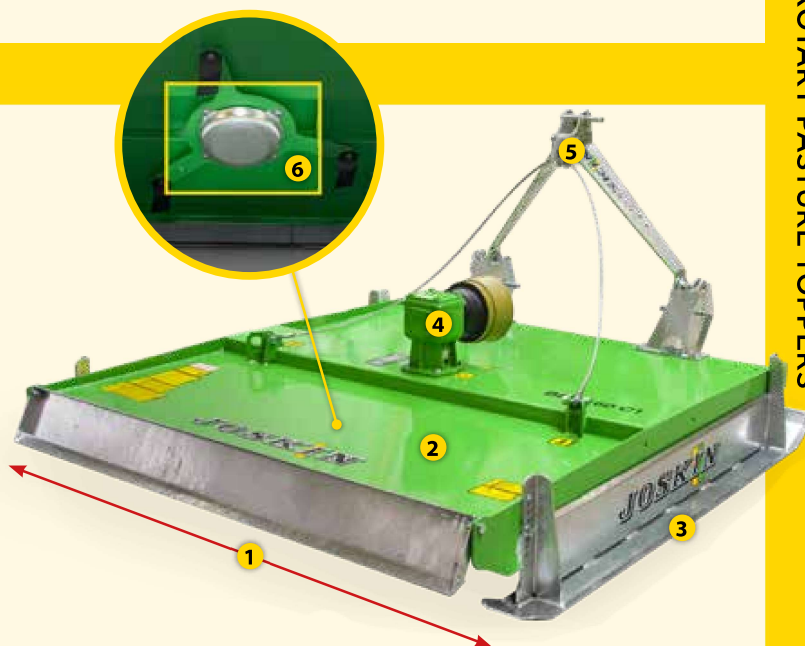
TRANSMISSION

The BJ has a flexible transmission with a quadruple torsion security. Four round rubber shock absorbers are therefore fitted on the drive shafts to absorb all shocks, bumps and vibrations from the rotors. The whole unit (gearboxes, gears, drive shaft, tractor P.T.O., etc.) thus benefits from a **reinforced protection**, adapted to all types of fallow land.



BEV

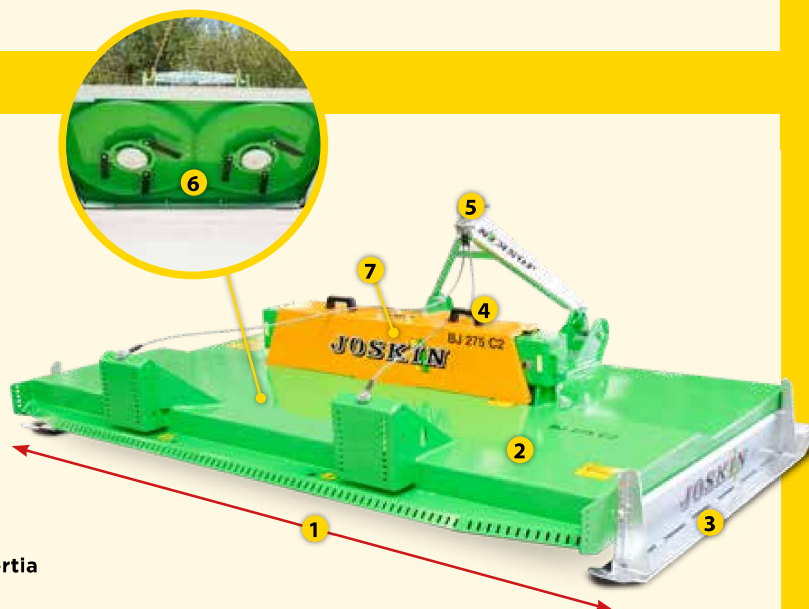
- 1 Working width: **from 1.3 m to 1.6 m**
- 2 Manufactured in painted or hot-dip galvanised **high tensile steel**
- 3 Ground contact surface: **150 mm skids**
- 4 P.T.O.-shaft drive: **540 rpm**
- 5 Hitch: **Ø 22 mm or Ø 28 mm**
- 6 **Ø 330 mm galvanised disc**



Models	Working width (m)	Transport width (m)	Number of rotors	Min./Max. required power (hp)
BEV/130/C1	1.30	1.60	1	12/60
BEV/160/C1	1.60	1.90	1	18/60

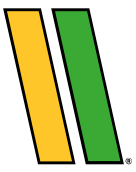
BJ

- 1 Working width: **from 2.75 m to 3.15 m**
- 2 Manufactured in painted or hot-dip galvanised **high tensile steel**
- 3 Ground contact surface: **150 mm skids**
- 4 P.T.O.-shaft drive: **1,000 rpm**
- 5 Hitch: **Ø 22 mm or Ø 28 mm**
- 6 **Ø 330 mm galvanised disc(s)**
- 7 **2 rotors and 6 self-retracting blades with high inertia**



Models	Working width (m)	Transport width (m)	Number of rotors	Min./Max. required power (hp)
BJ/275/C2	2.75	3.00	2	75/125
ABJ/275/C2*	2.75	3.00	2	75/125
BJ/315/C2	3.15	3.40	2	75/125

* Central front-mounted, with adjustable spring suspension

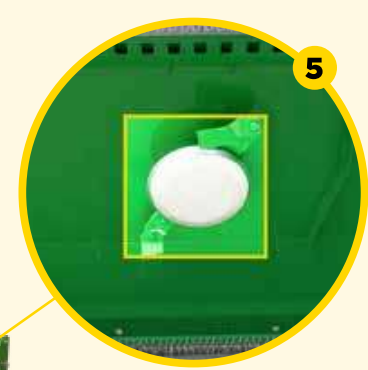
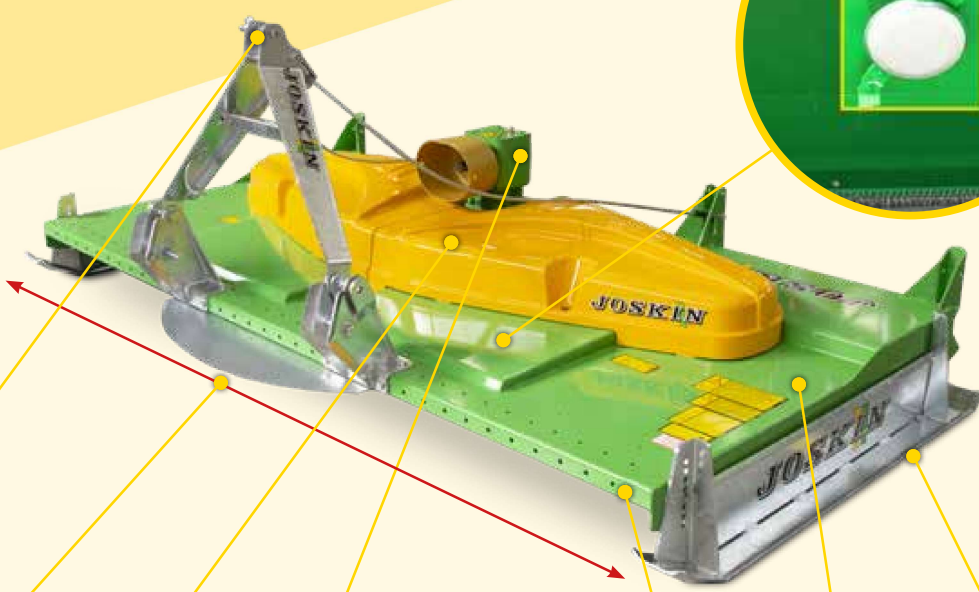


TR (ATR - DTH3 - TRT)

SPECIALIST IN LEFTOVERS

The TR rotary pasture topper is a **real reference in the professional world**. Very good at mowing on most medium-sized and large green spaces, it is also very appreciated for its excellent performance in pasture care. Its offset multi-rotor system enables it to work on areas with more compact leftovers, while maintaining a constant flow of work. Available in **rear** (TR: single version; TRT: double version), **front** (ATR) or **offset** (DTH3) position, the TR can truly adapt to any situation!

SCAN ME



- 1** Hitch: \varnothing 22 mm or \varnothing 28 mm
- 2** Working width: from 1.8 m to 7.5 m
- 3** 2 to 4 belt-driven rotors
- 4** P.T.O.-shaft drive: 1,000 rpm
- 5** \varnothing 330 mm galvanised disc(s)
- 6** Front and rear pre-equipment for anti-projection chains
- 7** Manufactured in painted or hot-dip galvanised high tensile steel
- 8** Contact surface with the ground: **144 x 1,438 mm skids** (except on TR/220/C3: 144 x 1,213 mm)

Models	Working width (m)	Transport width (m)	Number of rotors	Min./Max. required power (hp)
TR/180/C2	1.80	2.10	2	25/70
TR/220/C3	2.20	2.50	3	25/80
TR/270/C3	2.70	3.00	3	45/85
TR/360/C4	3.60	3.90	4	70/110
ATR/270/C3	2.70	3.00	3	45/85
TR/270/DTH3	2.70	2.45	3	45/85
TRT/750/C6	7.50	3.00/2.50	2 x 3	100/200



ATR

The front-mounted rotary pasture topper is hitched by means of a central beam pulling the machine from the front ("Accord triangle" system). It has an **excellent manoeuvrability** and retains the advantages of the floating hitch thanks to the double spring on the frame. This configuration allows the grass to be mowed before it is crushed by the tractor wheels. It is also recommended to all those who wish to simultaneously use a second type of implement at the back of their tractor, and therefore maximise their working time.



DTH3

Thanks to its arm with hydraulic folding system, this version allows to put the rotary pasture topper at the rear right of the tractor (standard). This position is then ideal for all those who do not wish to drive on the leftovers before cutting them. It also increases the **efficiency of the rotary pasture topper** in fields where a lot of finishing work is required at the edges (hills, etc.).



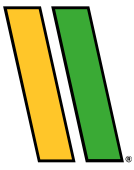
TRT

The TRT is designed to take the incredible performance of the TR topper to **larger pastures**. Ideally, it can be combined with the ATR/270/C3 front rotary pasture topper to reach a cutting width of 7.5 m. Thanks to its triangular layout, this combination avoids the crushing effect caused by the tractor wheels and thus ensures an **homogeneous mowing in 7.5 m strips in a single pass!** This model will therefore be the delight of anyone wishing to maintain large areas in record time.

CUTTING ZONE

Depending on its size, this model is equipped with 2, 3 or 4 rotors each driving 2 retractable blades. This multiplication of the cutting zones ensures a **perfectly homogeneous work**. It also allows to reduce the pressure on the different knives in order to mow a higher quantity of vegetation, without any loss of power. Thanks to a V-belt drive, the various rotors are arranged on a non-linear basis. This arrangement maximises the overlap areas of the various knives in the carter so as to ensure a **more precise cut**, for an even finer result.





TOOLS



SELF-RETRACTABLE BLADES

Most JOSKIN choppers and rotary pasture toppers are equipped with self-retractable blades on pivot points: in the event of contact with an obstacle, the knife can be rotated up to 360° to **prevent any damage**.



ANTI-PROJECTION CHAINS

The front and/or rear protection chains (available as an option) prevent, or at least slow down, the projection of objects, such as mowing debris, towards the front or rear of the machine. They thus provide **additional safety** for the operator and those around him.



XXL SKIDS

The skids of the JOSKIN rotary pasture toppers and choppers are bolted and allow the mowing height to be adjusted from 6 to 8 positions, depending on the model and the needs. Thanks to their width, these skids not only ensure a **good operating stability**, but also protect the vegetation by guaranteeing an excellent load-bearing capacity for the machine.



GALVANISED DISCS

The galvanised discs **protect the blade holder and the blades** against possible impacts with the ground and better follow the ground relief.



P.T.O.-SHAFT

The Walterscheid P.T.O.-shafts fitted as standard on JOSKIN machines directly transfer the drive energy produced by the tractor. To increase the protection of your machine, **several shaft securities are available** (standard or optional): shear bolt, cam, free wheel, etc.



TRANSMISSION

The rotary pasture toppers and BJ choppers are driven at **540 or 1,000 rpm** depending on the model. All transmission components are protected under a bolted cover that complies with CE safety standards.



TORSION SECURITY

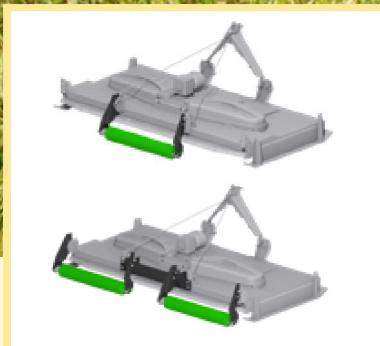
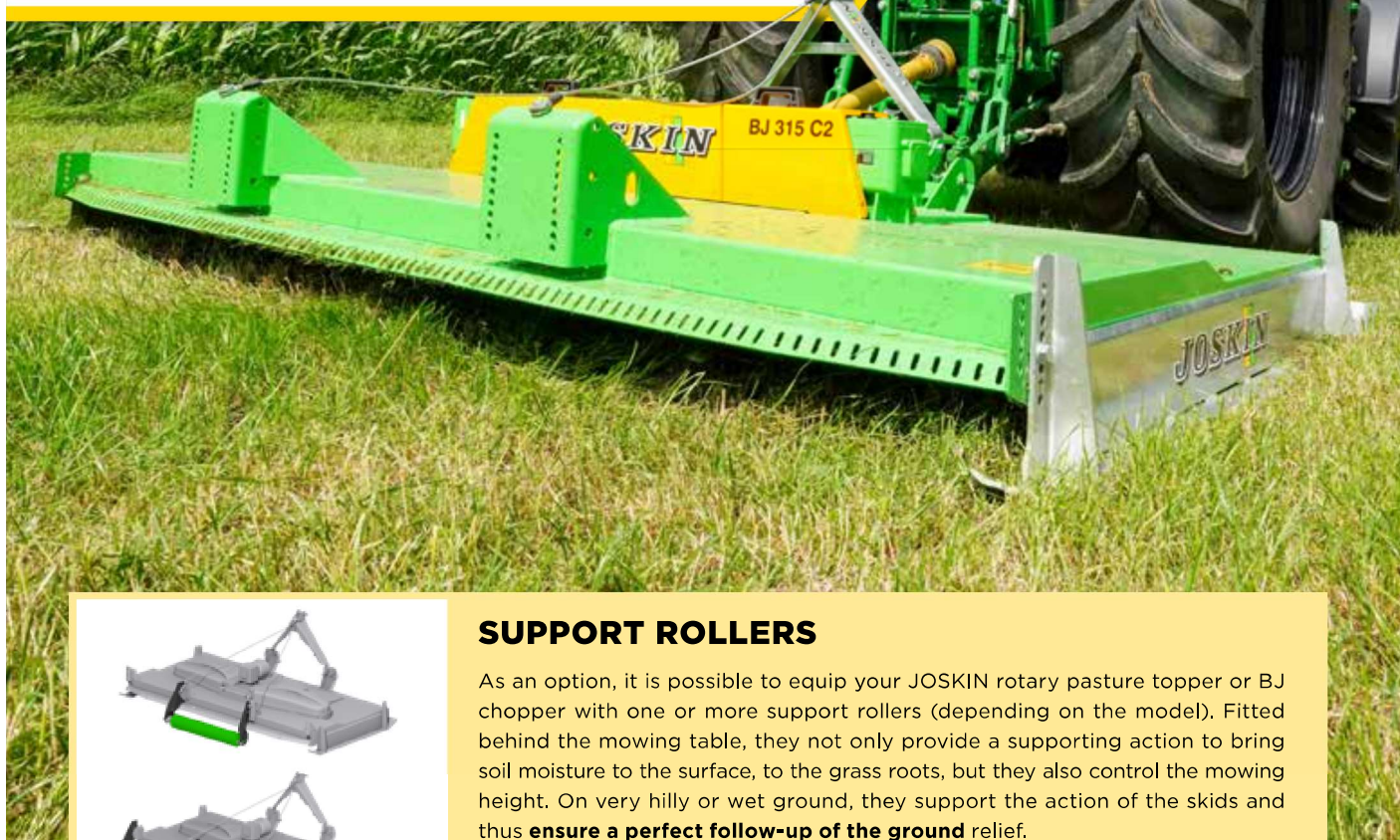
On BJ choppers, torsion couplings are fitted on the drive shafts to provide **additional safety** and add **flexibility to the drive**. As they are made of rubber, they absorb the operating vibrations and possible shocks.



BELTS

The TR rotary pasture topper can also be driven by 2 V-belts driving the different rotors. If the driving speed is too high, they slip until the operator reduces the driving speed to **avoid any mechanical damage** to the machine.

EQUIPMENT



SUPPORT ROLLERS

As an option, it is possible to equip your JOSKIN rotary pasture topper or BJ chopper with one or more support rollers (depending on the model). Fitted behind the mowing table, they not only provide a supporting action to bring soil moisture to the surface, to the grass roots, but they also control the mowing height. On very hilly or wet ground, they support the action of the skids and thus **ensure a perfect follow-up of the ground** relief.



REMOVABLE AERATOR

Your JOSKIN rotary pasture topper or BJ chopper can be equipped with an aerating/scarifying and scraping unit. In this way, you can **combine up to 3 machines in 1**. Since this option is bolted, it can easily be added/removed according to the needs.



SET OF REFLECTIVE PANELS

In order to meet the current safety standards and legislation, the JOSKIN rotary pasture toppers and BJ choppers can be fitted with optional reflective panels with red and white stripes.

SCAN ME



Configure your chopper in a few clicks!

SCAN ME



Configure your rotary pasture topper in a few clicks!

Non-contractual document. Data can be modified without prior notice.
Pictures do not necessarily correspond to the standard equipment.

JOSKIN®

LIVESTOCK AND GRASS CARE

SCARIFLEX R6S5 7.2 M
+ VARIFLEX



Discover all our **BROCHURES** on joskin.com

Rue de Wergifosse, 39 - 4630 Soumagne (Belgium) • E-mail: info@joskin.com • Tel.: +32 (0) 4 377 35 45

