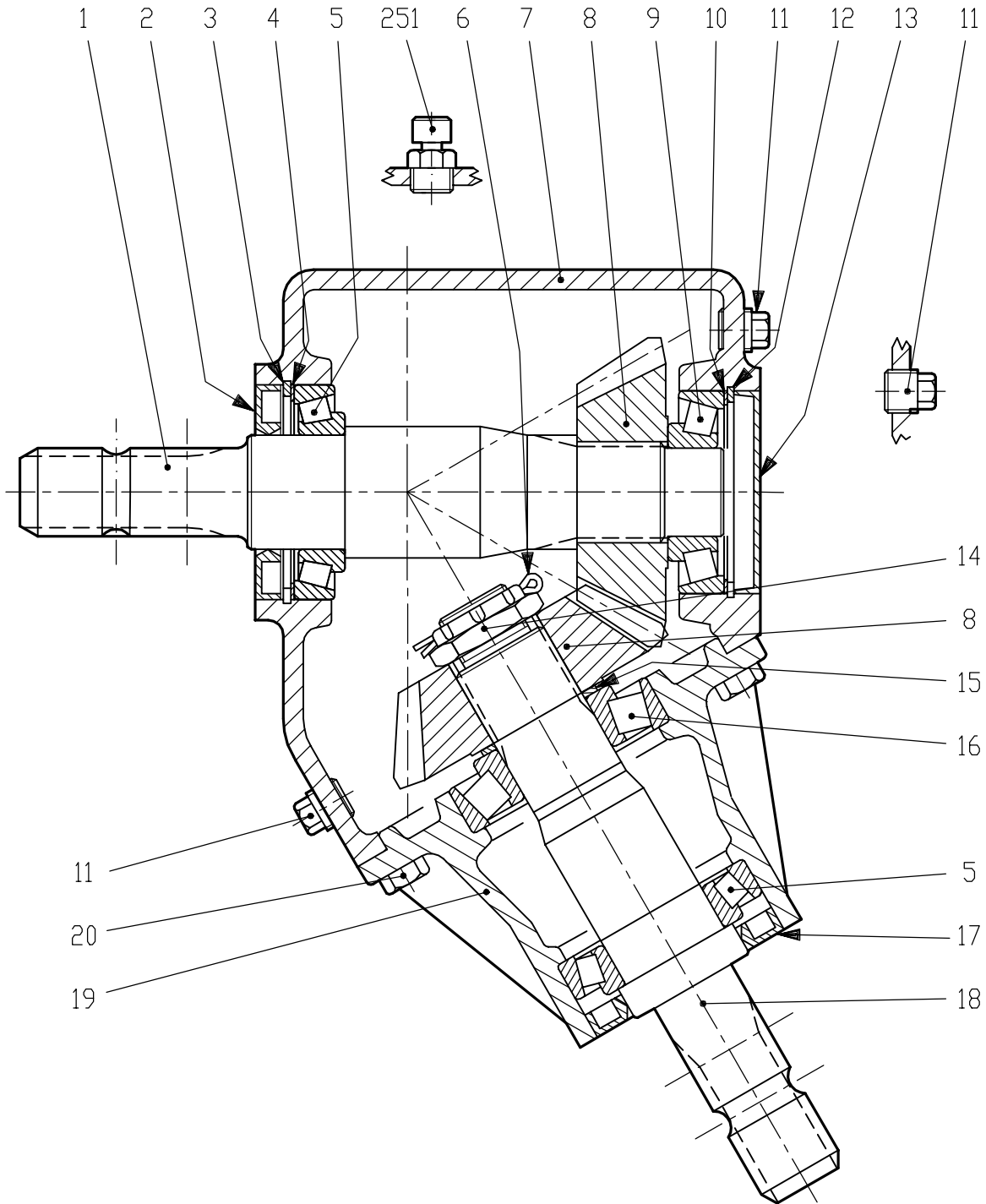


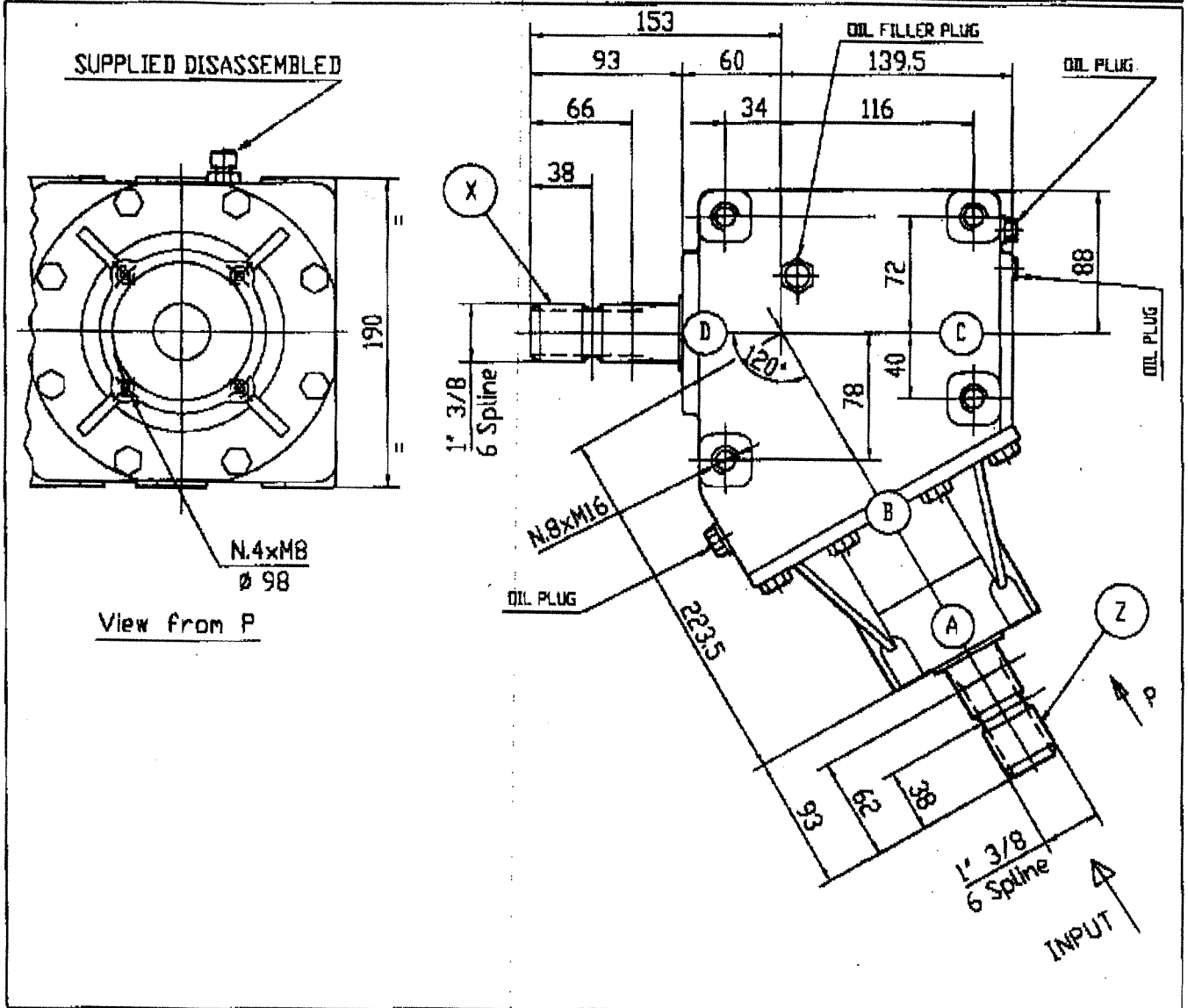
COMPANY landbruk&Maskin	REF.	DESIGNATION T-291A
	DATE 27-07-98	CODE 291.001.00



landbruk & Maskin A/S



COMPANY	REF.	DESIGNATION
	DATE 23-10-96	T-291 A
		CODE 291.001.00



Ratio	Rated input		Rated input power		Rated output	Weight	Lubricant									
	rpm	HP	kW	torque da Nm	Kg		Oil Type	Grease Quantity Kg								
1 : 1	540	75	55.1	94.5		SAE 90EP										
Gear Arrangement	Bevel couplings					Cylindrical couplings					Bearings					
	Helicoidal	Straight	Teeth number				Module	Helicoidal	Straight	Teeth number				Module	A	30209
	*		Z 1	Z 2	Z 3	Z 4	M			Z 1	Z 2	Z 3	Z 4	M	B	30308
			21	21			5.43									C
															D	30209
															E	
															F	
															G	
															H	
Components material																
Casing	Shaft X	Shaft Z		Bevel gear			Spur gear									
G 25 UNI 5007	20 MnCr5	20 MnCr5		20 CrNi4												

COMER reserves the right to make any change to this product without prior public acknowledgement

COMER Sp.A. 42046 Villanova di Reggiolo (R.E.) Italia. Tel. 0522\974111 (9 Lines) Telefax 0522\973249 Telex 530252 COMEX I

Landbruk & Maskin A/s

REFERENCE	BOITIER	T-291A	CODE	9.291.001.00
-----------	---------	--------	------	--------------

REP.	N. DU PLAN	PIEC	DESCRIPTION
1	0.291.3001.00	1	ARBRE 1"3/8
2	8.7.3.00331	1	BAGUE D'ETANCH 45X85X10
3	8.5.2.00332	1	CIRCLIPPOUR ALESAGE 85 UNI7437
4	0.709.7500.00	1	CALE 84.7
5	8.0.9.00143	2	ROULEMENT 30209
6	8.4.7.01111	1	GOUPILLE B4X55
7	0.291.0301.00	1	BOITE
8	0.291.5000.00	2	ENGRENAGE Z21 M5.43
9	8.0.9.00129	1	ROULEMENT 30307
10	0.267.7500.00	1	CALE 79.9
11	8.6.5.00006	3	BOUCHON 3/8"GAS
12	8.5.2.00030	1	CIRCLIPPOUR ALESAGE 80 UNI7437
13	8.7.0.00790	1	CAPUCHON DE FERM. 80X10
14	0.132.7106.00	1	ECROU M30X1.5
15	0.244.7500.00	1	CALE 40.3x51.5
16	8.0.9.00128	1	ROULEMENT 30308
17	8.7.3.01096	1	BAGUE D'ETANCH 52X85X10
18	0.291.2000.00	1	ARBRE 1"3/8
19	0.291.1300.00	1	RALLONGE
20	8.1.1.00501	8	VIS TET.CYL.HX.IN. M10X22 8,8
	A.291.000	1	
251	8.6.7.00161	1	BOUCHON DE REMPL. 3/8"GAS