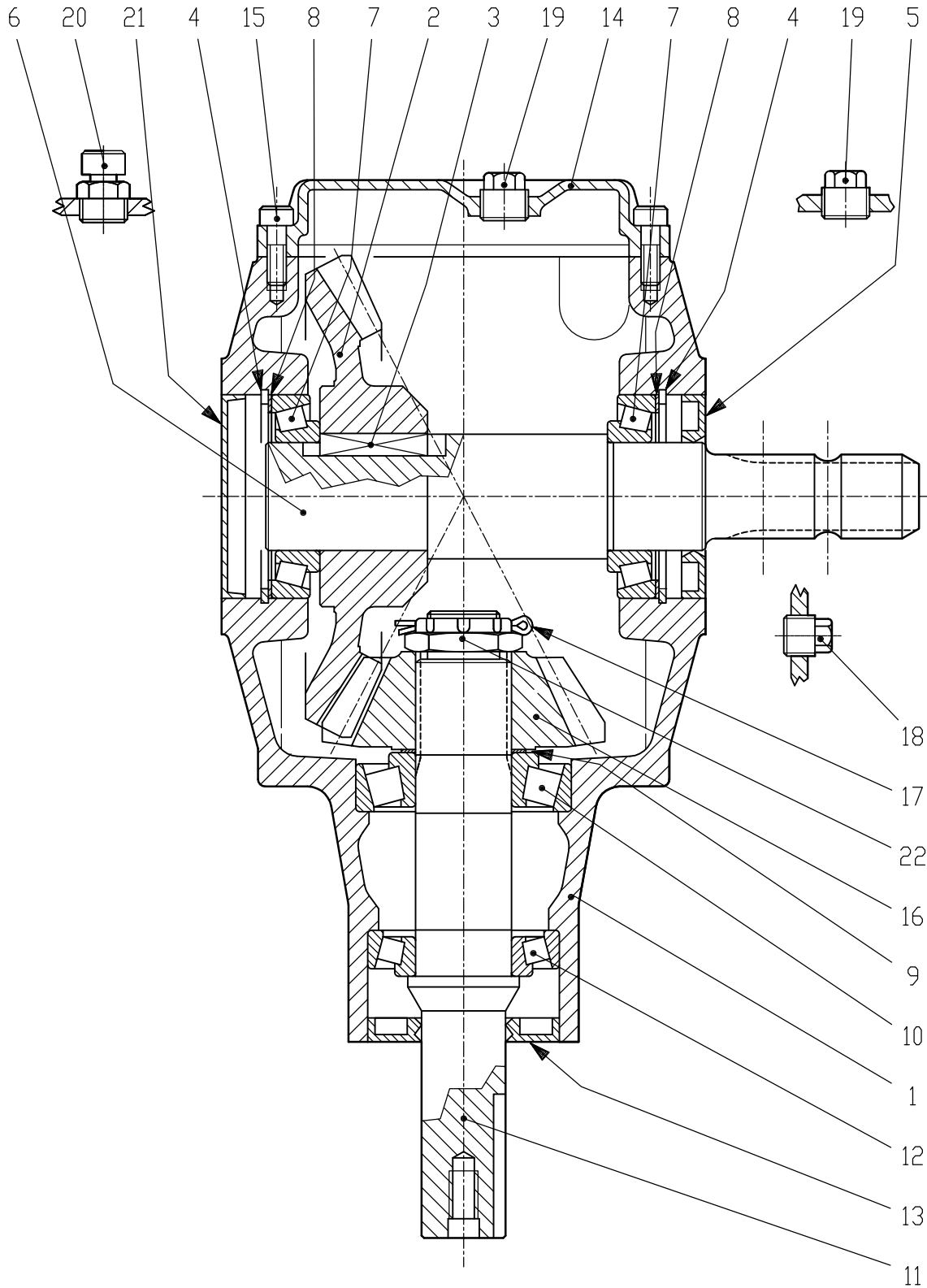




COMPANY	REF.	DESIGNATION
<b>landbruk&amp;MaskinA/S</b>		T-22 A
DATE	CODE	
30-09-2001	262.333.00	



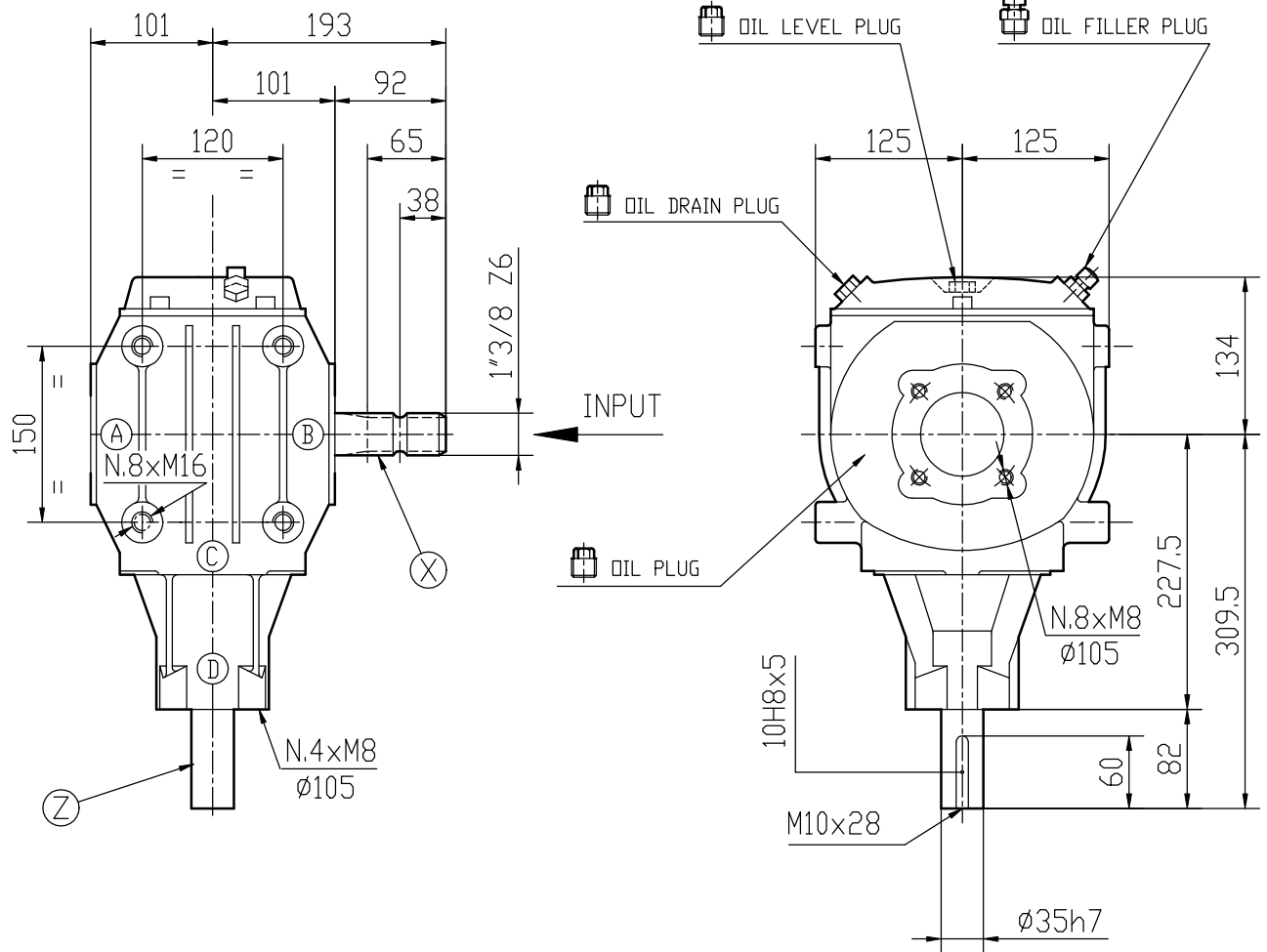
S.d.M.  
00.0000



COMPANY  
**Landbruk & Maskin**

REF.  
DATE 02-10-2001

DESIGNATION T-22A  
CODE 262.333.00



SPEED INCREASING UNIT	Ratio <i>i</i>		Rated input r.p.m.		Rated input power HP   kW		Rated output torque da Nm		Weight Kg		Lubricant Oil <input checked="" type="checkbox"/> Grease <input type="checkbox"/> Type   Quantity Lt.										
	1 : 1.93		540		98   72.1		64		29		SAE.90EP   3.1										
	Gear Arrangement		Bevel couplings					Cylindrical couplings					Bearings								
			Helicoidal		Straight		Teeth number			Module		Helicoidal		Straight		Teeth number		Module		A   30209	
							Z 1   Z 2   Z 3   Z 4		M.						Z 1   Z 2   Z 3   Z 4		M.		B   30209		
							15   29		6.8										C   30308		
																			D   30208		
																			E		
																			F		
																			G		
																		H			

COMER reserves the right to make any change to this product without prior public acknowledgement

# Landbruk & Maskin A/S

DESIGNATION	GEAR BOX	T-22A	CODE N°	9.262.333.00
-------------	----------	-------	---------	--------------

POS.	DRG. N.	PIEC	DESCRIPTION
1	0.262.0505.00	1	CASING T1
2	0.262.6000.00	1	CROWN WHEEL Z29 M6,9
3	8.4.1.00967	1	PARALLEL KEY B 14X9X45
4	8.5.2.00332	2	SNAP RING 85 UNI7437
5	8.7.3.00331	1	OIL SEAL 45X85X10
6	0.262.3000.00	1	SHAFT 1"3/8
7	8.0.9.00143	2	BEARING 30209
8	0.709.7500.00	2	SHIM 84.7
9	0.244.7500.00	1	SHIM 51.5
10	8.0.9.00128	1	BEARING 30308
11	0.262.2003.00	1	SHAFT
12	8.0.9.00024	1	BEARING 30208
13	8.7.1.00315	1	DOUBLE LIP SEAL 35X80 X10
14	0.262.1302.00	1	COVER
15	8.1.2.00197	6	BOLT MHX25 8,8
16	0.262.5000.00	1	FINION 715 M6,9
17	8.4.7.01111	1	COTTER PIN B4X55
18	8.6.5.00006	1	PLUG 3/8"GAS
19	8.6.5.00203	2	PLUG 1/2"GAS
20	8.6.7.00269	1	OIL FILLER PLUG 1/2"GAS
21	0.121.7101.00	1	CAP
22	0.132.7106.00	1	NUT M30X1.5