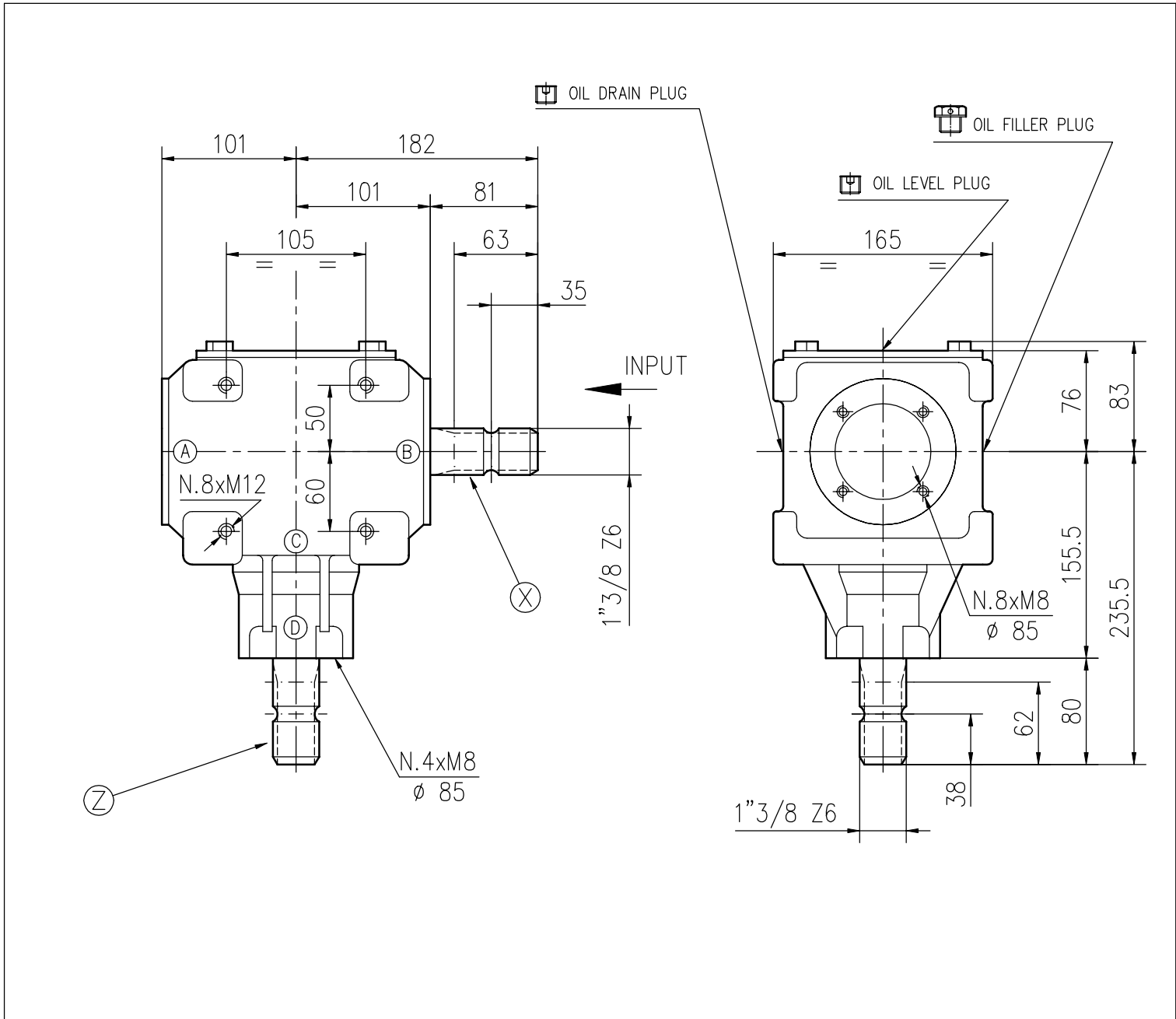


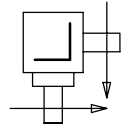


COMPANY
Landbruk & Maskin

REF. _____
DATE 06-12-01

DESIGNATION T-27A
CODE 267.041.00

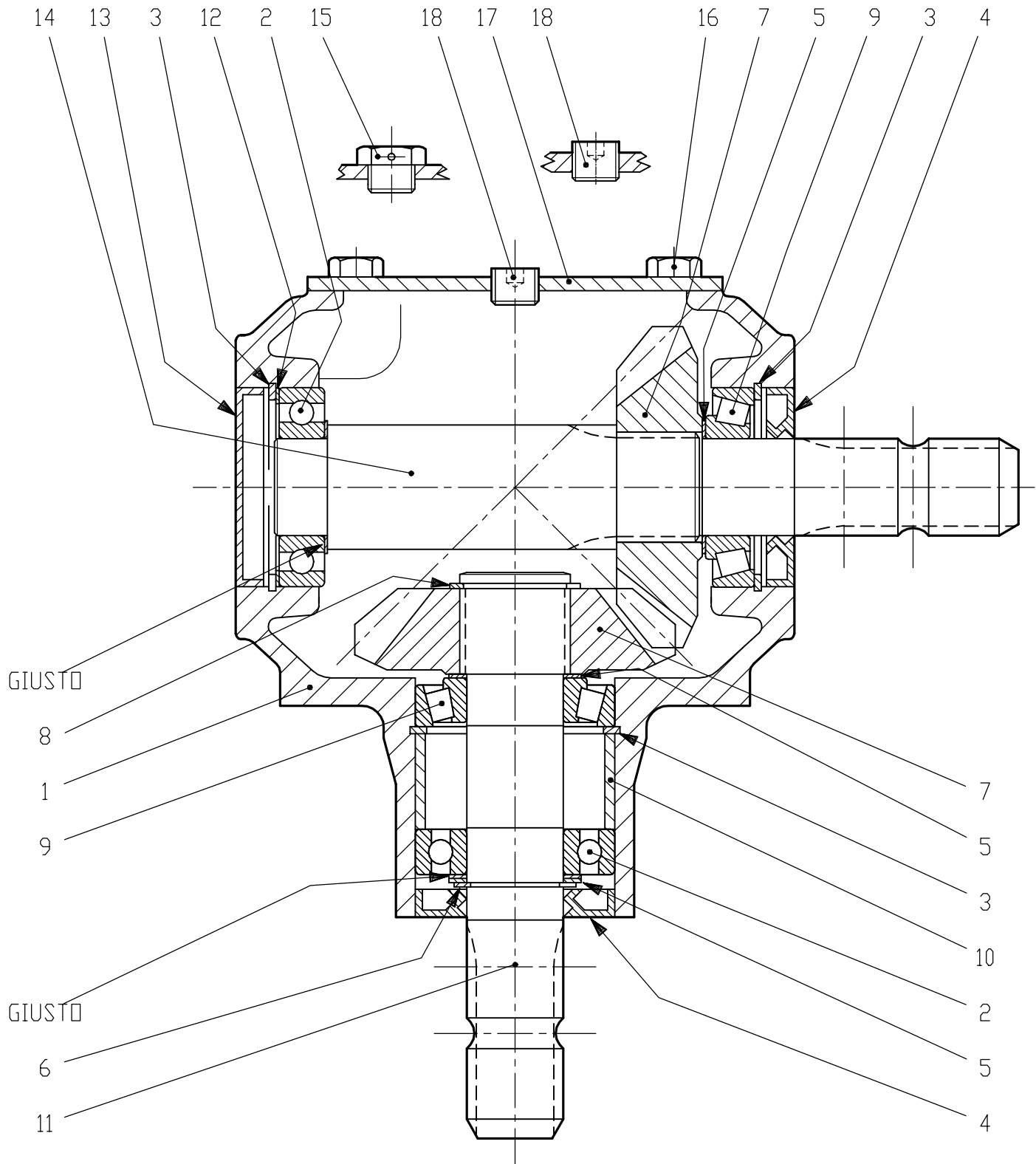


90° BEVEL GEAR	Ratio i	Rated input r.p.m.	Rated input power HP	Rated input power kW	Rated output torque da Nm	Weight Kg	Lubricant <input checked="" type="checkbox"/> Oil Type	Lubricant <input type="checkbox"/> Grease Quantity Kg									
	1:1	540	55	40.5	69	21	SAE.90EP	1.2									
	Gear Arrangement	Bevel couplings					Cylindrical couplings					Bearings					
		Helicoidal	Straight	Teeth number				Module	Helicoidal	Straight	Teeth number				Module	A	6207
	 In.		*	Z 1	Z 2	Z 3	Z 4	M.			Z 1	Z 2	Z 3	Z 4	M.	B	30207
				18	18			6.15								C	30207
																D	6207
																E	
	Components material														F		
	Casing	Shaft X	Shaft Z		Bevel gear			Spur gear				G					
G 25 UNI 5007	16 CrNi4	20 MnCr5		20 MnCr5							H						

COMER reserves the right to make any change to this product without prior public acknowledgement



COMPANY Landbruk&Maskin%	REF.	DESIGNATION T-27 A
	DATE 22-09-99	CODE 267.041.00



DESIGNATION	GEAR BOX	T-27A	CODE N°	9.267.041.00
-------------	----------	-------	---------	--------------

POS.	DRG. N.	PIEC	DESCRIPTION
------	---------	------	-------------

1	0.267.0300.00	1	CASING
2	8.0.1.00025	2	BEARING 6207
3	8.5.2.00131	3	SNAP RING 72 UNI7437
4	8.7.1.00152	2	DOUBLE LIP SEAL 35X72 X10
5	0.259.7500.00	3	SHIM 48.0
6	8.5.1.00005	1	SNAP RING 35 UNI7435
7	0.267.5000.00	2	GEAR Z18 M6.15
8	8.5.1.00029	1	SNAP RING 40 UNI7435
9	8.0.9.00026	2	BEARING 30207
10	0.267.7100.00	1	SPACER
11	0.267.2001.00	1	SHAFT 1 3/8"
12	0.248.7500.00	1	SHIM 71.7
13	8.7.0.00744	1	CAP 72X10
14	0.267.3008.00	1	SHAFT 1"3/8
15	0.107.7100.01	1	OIL FILLER PLUG
16	8.1.1.00054	4	BOLT M10X20 8,8
17	0.267.1302.00	1	COVER
18	8.6.6.00201	2	PLUG 3/8"GAS