

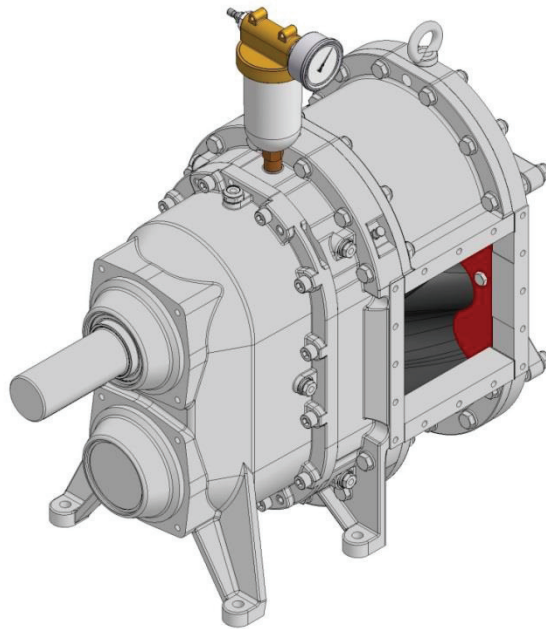


Spare Parts List

Rotary Lobe Pump

VX186Q

ENGINEERED TO WORK



Issuer

Hugo Vogelsang Maschinenbau GmbH
Holthöge 10-14
49632 Essen/Oldb.

Phone: +49 54 34 83 0
Fax: +49 54 34 83 10

vogelsang-gmbh.com
info@vogelsang-gmbh.com

In the absence of express, written authorisation from the issuer, the reproduction or partial reproduction of this document in any form is prohibited.

We reserve the right to make technical modifications to the diagrams and information presented in this document in the event that such modifications become necessary for the enhancement of the machine.

© 2016 Hugo Vogelsang Maschinenbau GmbH

Registered trademarks of Vogelsang

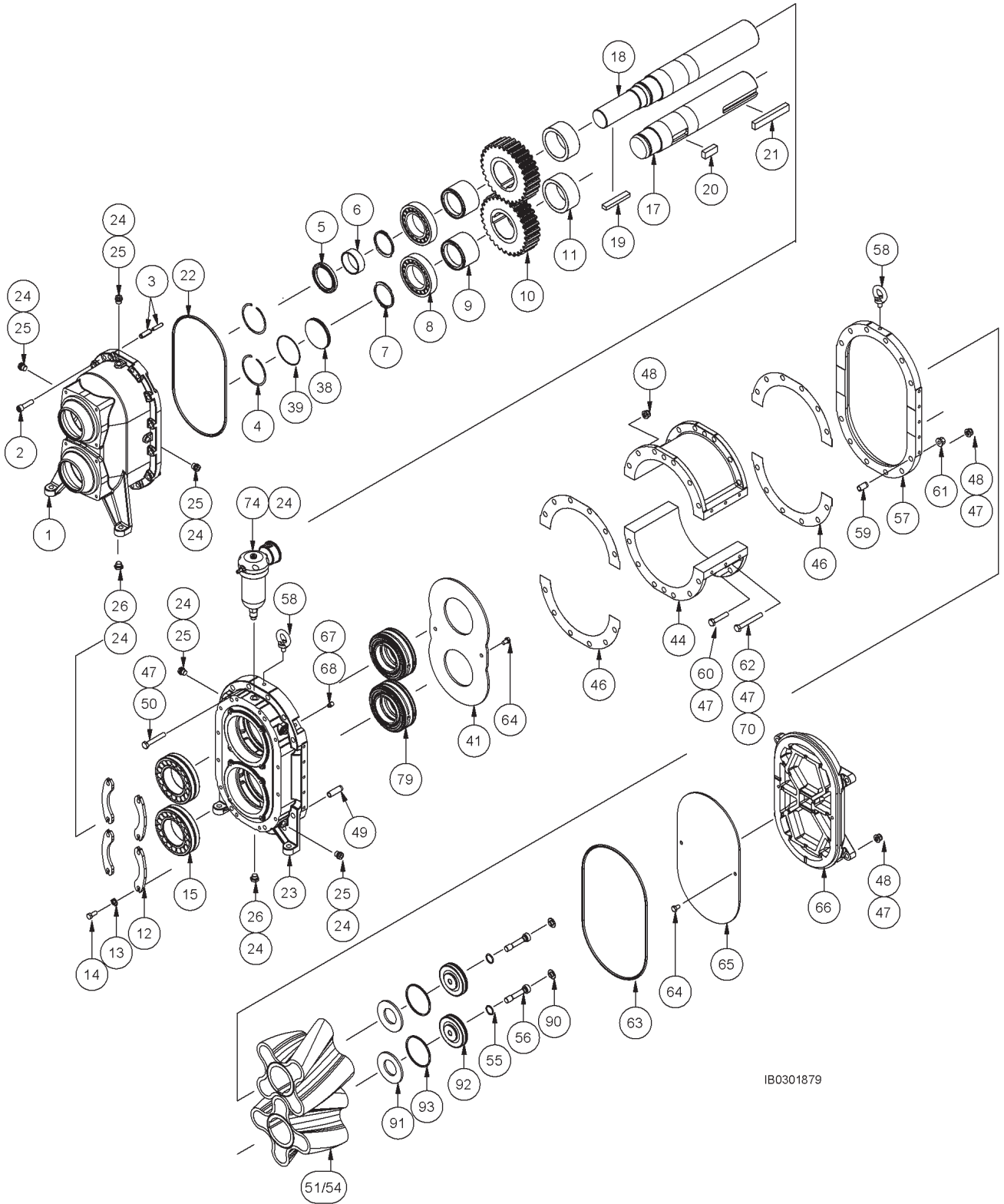
Vogelsang, RotaCut, PreMix, HiFlo, ACC, CFC, BioCrack, XTill, EnergyJet and BioCut are registered trademarks of Hugo Vogelsang Maschinenbau GmbH.

The registered trademarks are not always designated with an ® symbol in this document.

Contents

Exploded view	4
Gearbox housing and accessories	5
Position 1-16	5
Motor shaft	5
Position 17-19	5
PTO shaft	6
Position 17-19	6
Fitting key	6
Position 1-15	6
Bearing seal housing + accessories	6
Positions 22-26 + 38-39.....	6
Wear plate	6
Position 41	6
Pump housing segment	7
Position 44	7
Injection module pump housing segment without radial wear plate	8
Position 44	8
Injection module pump housing segment with radial wear plate	9
Position 44	9
Gasket for pump housing segment	10
Position 46	10
Bolts and accessories	10
Position 47-50	10
Rotary lobes	11
HiFlo	11
Position 51+54	11
Rotary lobes; bi-lobe	13
Position 51	13
Solid material rotary lobes	14
HiFlo	14
Position 51+54	14
O-ring for solid material rotary lobes	14
Position 52-53	14
Preload	15
Position 55-56	15
Cover flange and accessories	15
Position 57-63	15
Wear plate	15
Position 64-65	15
Cover and accessories	15
Position 66-70	15
Buffer chamber enlargement	16
Position 74	16
Cartridge mechanical seal	16
Pos. 79.....	16
"Loose parts" for Cartridge mechanical seal	16
Bolts and accessories	17
Pos. 87-88.....	17
Preload	17
Position 90-93	17
Option: Intermediate flange	18
Option: Radial labyrinth	19
Option: Component mechanical seal	20
Pos. 200-213.....	20
Tools	21
Material for connectors	21
Required spare parts for rotary lobe change	22
Necessary spare parts for Cartridge mechanical seal change	23
Necessary spare parts for wear part replacement with Cartridge mechanical seal	24
Necessary spare parts for component mechanical seal change	26
Necessary spare parts for wear part replacement with component mechanical seal	27

Exploded view



IB0301879

Gearbox housing and accessories

Position 1-16

Pos.	Part number	Description	Dimensions	Note	Qua.	92	130	184	260	368	390
1	PGP.A019.T3	Gearbox housing				1	1	1	1	1	1
2	NSI.091	Cylinder head bolt	M12 x 45	DIN 912		12	12	12	12	12	12
3	NSP.017	Spring pin	13 x 40	DIN 1481		4	4	4	4	4	4
	NSP.002	Spring pin	8 x 40	DIN 1481		4	4	4	4	4	4
4	NSR.027	Multi-disc ring	95 x 5 x 0.98			2	2	2	2	2	2
5	DWD.049.HNB	Radial shaft seal ring	HNBR	For motor shaft		1	1	1	1	1	1
	DWD.049.VI	Radial shaft seal ring	FPM								
	DWD.049.HNB	Radial shaft seal ring	HNBR	For PTO shaft		2	2	2	2	2	2
	DWD.049.VI	Radial shaft seal ring	FPM								
6	NIR.014	Inner ring	JR 65 x 72 x 25	For motor shaft		1	1	1	1	1	1
				For PTO shaft		2	2	2	2	2	2
7	NSR.011	Retaining ring	AS 75 x 4	DIN 471		2	2	2	2	2	2
8	NLG.027	Cylindrical roller bearing				2	2	2	2	2	2
9	PRS.A001.N1	Distance sleeve		Gear floating bearing		2	2	2	2	2	2
10	PZH.A004	Gear				2	2	2	2	2	2
11	PRS.A002	Distance sleeve		Gear fixed bearing		2	2	2	2	2	2
12	PFL.A016	Fixing sheet for bearing				4	4	4	4	4	4
13	NUS.066	Lock washer	10.5	DIN 432		8	8	8	8	8	8
14	NSK.027	Hexagon head bolt	M10 x 25	DIN 933		8	8	8	8	8	8
15	NLG.025	Spherical roller bearing				2	2	2	2	2	2

Motor shaft

Position 17-19

Pos.	Part number	Description	Dimensions	Note	Qua.	92	130	184	260	368	390
17	PWQ.A005.N1	Motor shaft	92	Short		1	-	-	-	-	-
	PWQ.A006.N1	Motor shaft	130	Short		-	1	-	-	-	-
	PWQ.A007.N1	Motor shaft	184	Short		-	-	1	-	-	-
	PWQ.A008.N1	Motor shaft	260	Short		-	-	-	1	-	-
	PWQ.A018.N1	Motor shaft	368	Short		-	-	-	-	1	-
	PWQ.A037.N1	Motor shaft	390	Short		-	-	-	-	-	1
18	PWQ.A001.N1	Motor shaft	92	Long		1	-	-	-	-	-
	PWQ.A002.N1	Motor shaft	130	Long		-	1	-	-	-	-
	PWQ.A003.N1	Motor shaft	184	Long		-	-	1	-	-	-
	PWQ.A004.N1	Motor shaft	260	Long		-	-	-	1	-	-
	PWQ.A017.N1	Motor shaft	368	Long		-	-	-	-	1	-
	PWQ.A038.N1	Motor shaft	390	Long		-	-	-	-	-	1
18	PWQ.A005.N1.H	Hollow shaft	92			1	-	-	-	-	-
	PWQ.A006.N1.H	Hollow shaft	130			-	1	-	-	-	-
	PWQ.A007.N1.H	Hollow shaft	184			-	-	1	-	-	-
	PWQ.A008.N1.H	Hollow shaft	260			-	-	-	1	-	-
	PWQ0001	Hollow shaft	368			-	-	-	-	1	-
	PWQ0029	Hollow shaft	390			-	-	-	-	-	1

⁷ for hydraulic motor

PTO shaft

Position 17-19

Pos.	Part number	Description	Dimensions	Note	Qua.	92	130	184	260	368	390
17/ 18	PWQ.A009.N1	PTO shaft	92-S6			2	-	-	-	-	-
	PWQ.A039	PTO shaft	92-S6	Hardened		2	-	-	-	-	-
	PWQ.A040	PTO shaft	130-S6	Hardened		-	2	-	-	-	-
	PWQ.A041	PTO shaft	184-S6	Hardened		-	-	2	-	-	-
	PWQ.A042	PTO shaft	260-S6	Hardened		-	-	-	2	-	-
	PWQ.A023.N1	PTO shaft	92-P6			2	-	-	-	-	-
	PWQ.A024.N1	PTO shaft	130-P6			-	2	-	-	-	-
	PWQ.A025.N1	PTO shaft	184-P6			-	-	2	-	-	-
	PWQ.A026.N1	PTO shaft	260-P6			-	-	-	2	-	-
	PWQ.A027.N1	PTO shaft	368-P6			-	-	-	-	2	-
	PWQ.A032.N1	PTO shaft	390-P6			-	-	-	-	-	2
	PWQ.A016.N1	PTO shaft	260-P20			-	-	-	2	-	-
PWQ.A033.N1	PTO shaft	390-P20			-	-	-	-	-	2	

Fitting key

Position 1-15

Pos.	Part number	Description	Dimensions	Note	Qua.	92	130	184	260	368	390
19	NPF.047	Fitting key	B 18 x 11 x 100	For motor shaft long		1	1	1	1	1	1
20	NPF.040	Fitting key	B 22 x 14 x 50	DIN 6885		2	2	2	2	2	2
21	NPF.040	Fitting key	B 22 x 14 x 50	DIN 6885		2	-	-	-	-	2
	NPF.042	Fitting key	B 22 x 14 x 90	DIN 6885		-	2	-	-	-	-
	NPF.043	Fitting key	B 22 x 14 x 100	DIN 6885		-	-	-	-	2	6
	NPF.044	Fitting key	B 22 x 14 x 140	DIN 6885		-	-	2	-	-	-
	NPF.045	Fitting key	B 22 x 14 x 220	DIN 6885		-	-	-	2	2	-

Bearing seal housing + accessories

Positions 22-26 + 38-39

Pos.	Part number	Description	Dimensions	Note	Qua.	92	130	184	260	368	390
22	DOR.026	O-ring	330 x 6	NBR 70		1	1	1	1	1	1
	DOR.026.VI	O-ring	330 x 6	FPM							
23	PGP.A018.T1	Bearing seal housing				1	1	1	1	1	1
	PGP.A018.T4	Bearing seal housing		Option: intermediate flange							
24	DKR.005	Copper ring	C 16 x 22 x 2			10	10	10	10	10	10
25	NSK.081	Screw plug	M16 x 1,5			7	7	7	7	7	7
26	NSK.088	Screw plug	M16	Magnetic		2	2	2	2	2	2
38	PRS.A028	Plug disk		For motor shaft		1	1	1	1	1	1
39	DOR.044	O-ring	85 x 2.5	For motor shaft short		1	1	1	1	1	1
	DOR.044.VI	O-ring	85 x 2.5								

Wear plate

Position 41

Pos.	Part number	Description	Dimensions	Note	Qua.	92	130	184	260	368	390
41	PFL.A017	Wear plate				1	1	1	1	1	1
	PFL.A017.G1	Wear plate		Tungsten carbide coated							

Pump housing segment

Position 44

Pos.	Part number	Description	Dimensions	Note	Qua.	92	130	184	260	368	390
------	-------------	-------------	------------	------	------	----	-----	-----	-----	-----	-----



44	PGP.A007	Pump housing segment	92	0.6025		2	-	-	-	-	-
	PGP.A008	Pump housing segment	130	0.6025		-	2	-	-	-	2
	PGP.A009	Pump housing segment	184	0.6025		-	-	2	-	4	-
	PGP.A010	Pump housing segment	260	0.6025		-	-	-	2	-	2
	PGP.A007.G1	Pump housing segment	92	Tungsten carbide coated		2	-	-	-	-	-
	PGP.A008.G1	Pump housing segment	130	Tungsten carbide coated		-	2	-	-	-	2
	PGP.A009.G1	Pump housing segment	184	Tungsten carbide coated		-	-	2	-	4	-
	PGP.A010.G1	Pump housing segment	260	Tungsten carbide coated		-	-	-	2	-	2
	PGP.A007.G2	Pump housing segment	92	EN-JS-1110 (ADI)		2	-	-	-	-	-
	PGP.A008.G2	Pump housing segment	130	EN-JS-1110 (ADI)		-	2	-	-	-	2
	PGP.A009.G2	Pump housing segment	184	EN-JS-1110 (ADI)		-	-	2	-	4	-
	PGP.A010.G2	Pump housing segment	260	EN-JS-1110 (ADI)		-	-	-	2	-	2



Injection A

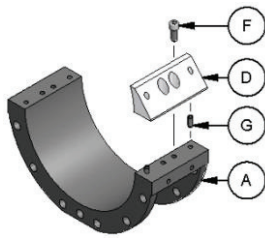
44	PGP0089	Pump housing segment	92	0.6025		2	-	-	-	-	-
	PGP0086	Pump housing segment	130	0.6025		-	2	-	-	-	2
	PGP0087	Pump housing segment	184	0.6025		-	-	2	-	4	-
	PGP0088	Pump housing segment	260	0.6025		-	-	-	2	-	2
	PGP0196	Pump housing segment	92	Tungsten carbide coated		2	-	-	-	-	-
	PGP0188	Pump housing segment	130	Tungsten carbide coated		-	2	-	-	-	2
	PGP0200	Pump housing segment	260	Tungsten carbide coated		-	-	-	2	-	2
	PGP0113	Pump housing segment	92	EN-JS-1110 (ADI)		2	-	-	-	-	-
	PGP0080	Pump housing segment	130	EN-JS-1110 (ADI)		-	2	-	-	-	2
	PGP0114	Pump housing segment	184	EN-JS-1110 (ADI)		-	-	2	-	4	-
	PGP0115	Pump housing segment	260	EN-JS-1110 (ADI)		-	-	-	2	-	2



Injection S

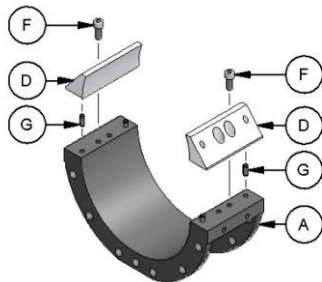
44	PGP.A040	Pump housing segment	92	0.6025		2	-	-	-	-	-
	PGP.A041	Pump housing segment	130	0.6025		-	2	-	-	-	2
	PGP.A042	Pump housing segment	184	0.6025		-	-	2	-	4	-
	PGP.A043	Pump housing segment	260	0.6025		-	-	-	2	-	2
	PGP.A040.G1	Pump housing segment	92	Tungsten carbide coated		2	-	-	-	-	-
	PGP.A041.G1	Pump housing segment	130	Tungsten carbide coated		-	2	-	-	-	2
	PGP.A042.G1	Pump housing segment	184	Tungsten carbide coated		-	-	2	-	4	-
	PGP.A043.G1	Pump housing segment	260	Tungsten carbide coated		-	-	-	2	-	2
	PGP.A040.G2	Pump housing segment	92	EN-JS-1110 (ADI)		2	-	-	-	-	-
	PGP.A041.G2	Pump housing segment	130	EN-JS-1110 (ADI)		-	2	-	-	-	2
	PGP.A042.G2	Pump housing segment	184	EN-JS-1110 (ADI)		-	-	2	-	4	-
	PGP.A043.G2	Pump housing segment	260	EN-JS-1110 (ADI)		-	-	-	2	-	2

Injection module pump housing segment without radial wear plate
Position 44



Injection A

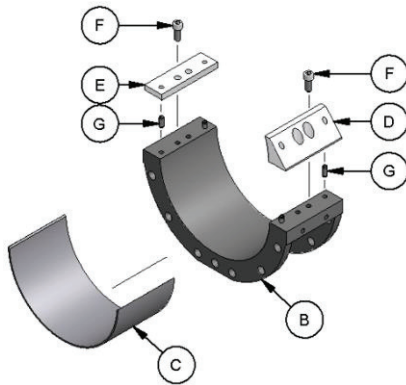
Pos.	Part number	Description	Dimensions	Note	Qua.	92	130	184	260	368	390
A	PGP0266	Pump housing segment	92			2	-	-	-	-	-
	PGP0267	Pump housing segment	130			-	2	-	-	-	2
	PGP0268	Pump housing segment	184			-	-	2	-	4	-
	PGP0269	Pump housing segment	260			-	-	-	2	-	2
D	PGP0210	Injection Module	92			2	-	-	-	-	-
	PGP0211	Injection Module	130			-	2	-	-	-	2
	PGP0212	Injection Module	184			-	-	2	-	4	-
	PGP0213	Injection Module	260			-	-	-	2	-	2
F	NSI0152	Cylinder head bolt	M 10 x 20 mm	ISO 4762		4	4	4	4	8	8
G	NSP0019	Spring pin	8 mm x 20 mm	ISO 13337		4	4	4	4	8	8



Injection S

Pos.	Part number	Description	Dimensions	Note	Qua.	92	130	184	260	368	390
A	PGP0266	Pump housing segment	92			2	-	-	-	-	-
	PGP0267	Pump housing segment	130			-	2	-	-	-	2
	PGP0268	Pump housing segment	184			-	-	2	-	4	-
	PGP0269	Pump housing segment	260			-	-	-	2	-	2
D	PGP0210	Injection Module	92			4	-	-	-	-	-
	PGP0211	Injection Module	130			-	4	-	-	-	4
	PGP0212	Injection Module	184			-	-	4	-	8	-
	PGP0213	Injection Module	260			-	-	-	4	-	4
F	NSI0152	Cylinder head bolt	M 10 x 20 mm	ISO 4762		8	8	8	8	16	16
G	NSP0019	Spring pin	8 mm x 20 mm	ISO 13337		8	8	8	8	16	16

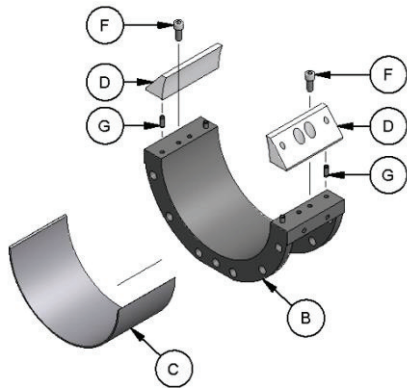
Injection module pump housing segment with radial wear plate
Position 44



Injection A

Pos.	Part number	Description	Dimensions	Note	Qua.	92	130	184	260	368	390
B	PGP0262	Pump housing segment	92	Radial wear plate		2	-	-	-	-	-
	PGP0263	Pump housing segment	130	Radial wear plate		-	2	-	-	-	2
	PGP0264	Pump housing segment	184	Radial wear plate		-	-	2	-	4	-
	PGP0265	Pump housing segment	260	Radial wear plate		-	-	-	2	-	2
C	PFL0131	Wear plate	92	Radial		2	-	-	-	-	-
	RFL4611	Wear plate	130	Radial		-	2	-	-	-	2
	RFL4612	Wear plate	184	Radial		-	-	2	-	4	-
	RFL4613	Wear plate	260	Radial		-	-	-	2	-	2
D	PGP0210	Injection Module	92			2	-	-	-	-	-
	PGP0211	Injection Module	130			-	2	-	-	-	2
	PGP0212	Injection Module	184			-	-	2	-	4	-
	PGP0213	Injection Module	260			-	-	-	2	-	2
E	PGP0218	Module, straight	92			2	-	-	-	-	-
	PGP0219	Module, straight	130			-	2	-	-	-	2
	PGP0220	Module, straight	184			-	-	2	-	4	-
	PGP0221	Module, straight	260			-	-	-	2	-	2
F	NSI0152	Cylinder head bolt	M 10 x 20 mm	ISO 4762		8	8	8	8	16	16
G	NSP0019	Spring pin	8 mm x 20 mm	ISO 13337		8	8	8	8	16	16

Continuation see next page



Injection S

Pos.	Part number	Description	Dimensions	Note	Qua.	92	130	184	260	368	390
B	PGP0262	Pump housing segment	92	Radial wear plate		2	-	-	-	-	-
	PGP0263	Pump housing segment	130	Radial wear plate		-	2	-	-	-	2
	PGP0264	Pump housing segment	184	Radial wear plate		-	-	2	-	4	-
	PGP0265	Pump housing segment	260	Radial wear plate		-	-	-	2	-	2
C	PFL0131	Wear plate	92	Radial		2	-	-	-	-	-
	RFL4611	Wear plate	130	Radial		-	2	-	-	-	2
	RFL4612	Wear plate	184	Radial		-	-	2	-	4	-
	RFL4613	Wear plate	260	Radial		-	-	-	2	-	2
D	PGP0210	Injection Module	92			4	-	-	-	-	-
	PGP0211	Injection Module	130			-	4	-	-	-	4
	PGP0212	Injection Module	184			-	-	4	-	8	-
	PGP0213	Injection Module	260			-	-	-	4	-	4
F	NSI0152	Cylinder head bolt	M 10 x 20 mm	ISO 4762		8	8	8	8	16	16
G	NSP0019	Spring pin	8 mm x 20 mm	ISO 13337		8	8	8	8	16	16

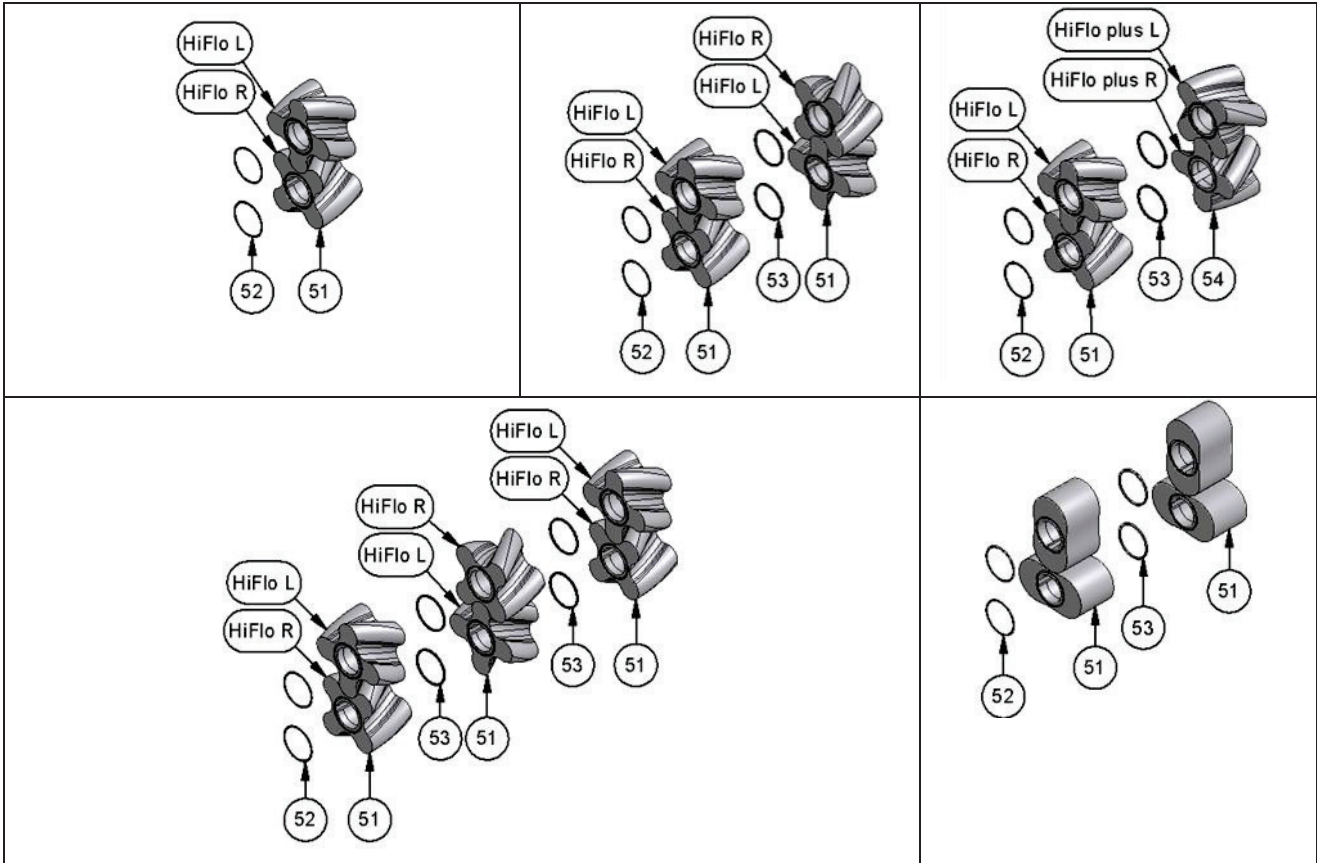
Gasket for pump housing segment
Position 46

Pos.	Part number	Description	Dimensions	Note	Qua.	92	130	184	260	368	390
46	DAD.028	Gasket		Asbestos-free fibre material		4	4	4	4	6	6

Bolts and accessories
Position 47-50

Pos.	Part number	Description	Dimensions	Note	Qua.	92	130	184	260	368	390
47	NUS.005	Washer	A 13 x 24 x 2.5	DIN 125		48	48	48	48	72	72
48	NMK.002	Hexagon nut	M12	Self-locking		24	24	24	24	36	36
49	NSP.022	Dowel pin	16 x 50	DIN 7346		4	4	4	4	4	4
50	NSK.176	Hexagon head bolt	M12 x 75			12	12	12	12	12	12

Rotary lobes



HiFlo
Position 51+54
HiFlo SBR

Pos.	Part number	Description	Dimensions	Note	Qua.	92	130	184	260	368	390
51	PKD.A040.TL	Rotary lobe	92, 4K45L HiFlo	SBR70		1	-	-	-	-	-
	PKD.A040.TR	Rotary lobe	92, 4K45R HiFlo	SBR70		1	-	-	-	-	-
	PKD.A031.TL	Rotary lobe	130, 4K45L HiFlo	SBR70		-	1	-	2 (1)	-	3
	PKD.A031.TR	Rotary lobe	130, 4K45R HiFlo	SBR70		-	1	-	2 (1)	-	3
	PKD.A025.TL	Rotary lobe	184, 4K45L HiFlo	SBR70		-	-	1	-	2 (1)	-
	PKD.A025.TR	Rotary lobe	184, 4K45R HiFlo	SBR70		-	-	1	-	2 (1)	-
54		Rotary lobe	130, 4K45L HiFloplus	SBR70		-	-	-	(1)	-	-
		Rotary lobe	130, 4K45R HiFloplus	SBR70		-	-	-	(1)	-	-
		Rotary lobe	184, 4K45L HiFloplus	SBR70		-	-	-	-	(1)	-
		Rotary lobe	184, 4K45R HiFloplus	SBR70		-	-	-	-	(1)	-

() quantity for HiFlo plus

HiFlo NBR

Pos.	Part number	Description	Dimensions	Note	Qua.	92	130	184	260	368	390
51	PKD.A039.TL	Rotary lobe	92, 4K45L HiFlo	NBR70		1	-	-	-	-	-
	PKD.A039.TR	Rotary lobe	92, 4K45R HiFlo	NBR70		1	-	-	-	-	-
	PKD.A030.TL	Rotary lobe	130, 4K45L HiFlo	NBR70		-	1	-	2 (1)	-	3
	PKD.A030.TR	Rotary lobe	130, 4K45R HiFlo	NBR70		-	1	-	2 (1)	-	3
	PKD.A024.TL	Rotary lobe	184, 4K45L HiFlo	NBR70		-	-	1	-	2 (1)	-
	PKD.A024.TR	Rotary lobe	184, 4K45R HiFlo	NBR70		-	-	1	-	2 (1)	-
54	PKD0019	Rotary lobe	130, 4K45L HiFlo <i>plus</i>	NBR70		-	-	-	(1)	-	-
	PKD0020	Rotary lobe	130, 4K45R HiFlo <i>plus</i>	NBR70		-	-	-	(1)	-	-
	PKD0017	Rotary lobe	184, 4K45L HiFlo <i>plus</i>	NBR70		-	-	-	-	(1)	-
	PKD0018	Rotary lobe	184, 4K45R HiFlo <i>plus</i>	NBR70		-	-	-	-	(1)	-

HiFlo EPDM

Pos.	Part number	Description	Dimensions	Note	Qua.	92	130	184	260	368	390
51	PKD.A047.TL	Rotary lobe	92, 4K45L HiFlo	EPDM-SL		1	-	-	-	-	-
	PKD.A047.TR	Rotary lobe	92, 4K45R HiFlo	EPDM-SL		1	-	-	-	-	-
	PKD.A048.TL	Rotary lobe	130, 4K45L HiFlo	EPDM-SL		-	1	-	2 (1)	-	3
	PKD.A048.TR	Rotary lobe	130, 4K45R HiFlo	EPDM-SL		-	1	-	2 (1)	-	3
	PKD.A049.TL	Rotary lobe	184, 4K45L HiFlo	EPDM-SL		-	-	1	-	2 (1)	-
	PKD.A049.TR	Rotary lobe	184, 4K45R HiFlo	EPDM-SL		-	-	1	-	2 (1)	-
54	PKD0050	Rotary lobe	130, 4K45L HiFlo <i>plus</i>	EPDM-SL		-	-	-	(1)	-	-
	PKD0051	Rotary lobe	130, 4K45R HiFlo <i>plus</i>	EPDM-SL		-	-	-	(1)	-	-
	PKD0031	Rotary lobe	184, 4K45L HiFlo <i>plus</i>	EPDM-SL		-	-	-	-	(1)	-
	PKD0032	Rotary lobe	184, 4K45R HiFlo <i>plus</i>	EPDM-SL		-	-	-	-	(1)	-

HiFlo FPM

Pos.	Part number	Description	Dimensions	Note	Qua.	92	130	184	260	368	390
51	PKD.A044.TL	Rotary lobe	92, 4K45L HiFlo	FPM ⁽¹⁾		1	-	-	-	-	-
	PKD.A044.TR	Rotary lobe	92, 4K45R HiFlo	FPM ⁽¹⁾		1	-	-	-	-	-
	PKD.A034.TL	Rotary lobe	130, 4K45L HiFlo	FPM ⁽¹⁾		-	1	-	2 (1)	-	3
	PKD.A034.TR	Rotary lobe	130, 4K45R HiFlo	FPM ⁽¹⁾		-	1	-	2 (1)	-	3
	PKD.A028.TL	Rotary lobe	184, 4K45L HiFlo	FPM ⁽¹⁾		-	-	1	-	2 (1)	-
	PKD.A028.TR	Rotary lobe	184, 4K45R HiFlo	FPM ⁽¹⁾		-	-	1	-	2 (1)	-
54		Rotary lobe	130, 4K45L HiFlo <i>plus</i>	FPM ⁽¹⁾		-	-	-	(1)	-	-
		Rotary lobe	130, 4K45R HiFlo <i>plus</i>	FPM ⁽¹⁾		-	-	-	(1)	-	-
		Rotary lobe	184, 4K45L HiFlo <i>plus</i>	FPM ⁽¹⁾		-	-	-	-	(1)	-
		Rotary lobe	184, 4K45R HiFlo <i>plus</i>	FPM ⁽¹⁾		-	-	-	-	(1)	-

⁽¹⁾ max. 6 bar [87 psi], please pay attention to the admissible pressure of pump!

() quantity for HiFlo *plus*

HiFlo WEROBUST

Pos.	Part number	Description	Dimensions	Note	Qua.	92	130	184	260	368	390
51	PKD.A041.TL	Rotary lobe	92, 4K45L HiFlo	WEROBUST ⁽²⁾		1	-	-	-	-	-
	PKD.A041.TR	Rotary lobe	92, 4K45R HiFlo	WEROBUST ⁽²⁾		1	-	-	-	-	-
	PKD.A032.TL	Rotary lobe	130, 4K45L HiFlo	WEROBUST ⁽²⁾		-	1	-	2 (1)	-	3
	PKD.A032.TR	Rotary lobe	130, 4K45R HiFlo	WEROBUST ⁽²⁾		-	1	-	2 (1)	-	3
	PKD.A026.TL	Rotary lobe	184, 4K45L HiFlo	WEROBUST ⁽²⁾		-	-	1	-	2 (1)	-
	PKD.A026.TR	Rotary lobe	184, 4K45R HiFlo	WEROBUST ⁽²⁾		-	-	1	-	2 (1)	-
54		Rotary lobe	130, 4K45L HiFlo <i>plus</i>	WEROBUST ⁽²⁾		-	-	-	(1)	-	-
		Rotary lobe	130, 4K45R HiFlo <i>plus</i>	WEROBUST ⁽²⁾		-	-	-	(1)	-	-
	PKD0064	Rotary lobe	184, 4K45L HiFlo <i>plus</i>	WEROBUST ⁽²⁾		-	-	-	-	(1)	-
	PKD0065	Rotary lobe	184, 4K45R HiFlo <i>plus</i>	WEROBUST ⁽²⁾		-	-	-	-	(1)	-

⁽²⁾ Attention! Usable up to 50°C medium temperature, only!

() quantity for HiFlo *plus*

HiFlo PUR

Pos.	Part number	Description	Dimensions	Note	Qua.	92	130	184	260	368	390
51	PKD0128	Rotary lobe	130 3K60L	PUR		-	1	-	2	-	3
	PKD0129	Rotary lobe	130 3K60R	PUR		-	1	-	2	-	3

Rotary lobes; bi-lobe

Position 51

Pos.	Part number	Description	Dimensions	Note	Qua.	92	130	184	260	368	390
51	PKD.A002	Rotary lobe, bi-lobe	92	SBR		2	-	4	-	8	-
	PKD.A001	Rotary lobe, bi-lobe	130	SBR		-	2	-	4	-	6
	PKD.A004	Rotary lobe, bi-lobe	92	NBR		2	-	4	-	8	-
	PKD.A003	Rotary lobe, bi-lobe	130	NBR		-	2	-	4	-	6
	PKD.A004.W	Rotary lobe, bi-lobe	92	NBR white		2	-	4	-	8	-
	PKD.A003.W	Rotary lobe, bi-lobe	130	NBR white		-	2	-	4	-	6
	PKD.A006.SL	Rotary lobe, bi-lobe	92	EPDM-SL		2	-	4	-	8	-
	PKD.A005.SL	Rotary lobe, bi-lobe	130	EPDM-SL		-	2	-	4	-	6
	PKD.A006.W	Rotary lobe, bi-lobe	92	EPDM white		2	-	4	-	8	-
	PKD.A005.W	Rotary lobe, bi-lobe	130	EPDM white		-	2	-	4	-	6
	PKD.A008	Rotary lobe, bi-lobe	92	FPM ⁽¹⁾		2	-	4	-	8	-
	PKD.A007	Rotary lobe, bi-lobe	130	FPM ⁽¹⁾		-	2	-	4	-	6
	PKD.A009	Rotary lobe, bi-lobe	92	WEROBUST ⁽²⁾		2	-	4	-	8	-
	PKD.A010	Rotary lobe, bi-lobe	130	WEROBUST ⁽²⁾		-	2	-	4	-	6
51	PKD0103	Rotary lobe, bi-lobe	130	PUR		-	2	-	4	-	6
51	PKD.A011.N1	Rotary lobe, bi-lobe ⁽³⁾	92	1.0503 nitrided C45)		2	-	4	-	8	-
	PKD.A012.N1	Rotary lobe, bi-lobe ⁽³⁾	130	1.0503 nitrided C45)		-	2	-	4	-	6
	PKD0088	Rotary lobe, bi-lobe ⁽³⁾	92	1.7131 hardened		2	-	4	-	8	-
		Rotary lobe, bi-lobe ⁽³⁾	130	1.7131 hardened		-	2	-	4	-	6

⁽¹⁾ max. 6 bar [87 psi], please pay attention to the admissible pressure of pump!

⁽²⁾ Attention! Usable up to 50°C medium temperature, only!

⁽³⁾ + O-ring for solid material lobe

Solid material rotary lobes

HiFlo

Position 51+54

Pos.	Part number	Description	Dimensions	Note	Qua.	92	130	184	260	368	390
51	PKD.A035.N1.TL	Rotary lobe ⁽³⁾	92, 4K45L	1.0503 nitrided (C45)		1	-	-	-	-	-
	PKD.A035.N1.TR	Rotary lobe ⁽³⁾	92, 4K45R	1.0503 nitrided (C45)		1	-	-	-	-	-
	PKD.A036.N1.TL	Rotary lobe ⁽³⁾	130, 4K45L	1.0503 nitrided (C45)		-	1	-	2 (1)	-	3
	PKD.A036.N1.TR	Rotary lobe ⁽³⁾	130, 4K45R	1.0503 nitrided (C45)		-	1	-	2 (1)	-	3
	PKD.A037.N1.TL	Rotary lobe ⁽³⁾	184, 4K45L	1.0503 nitrided (C45)		-	-	1	-	2 (1)	-
	PKD.A037.N1.TR	Rotary lobe ⁽³⁾	184, 4K45R	1.0503 nitrided (C45)		-	-	1	-	2 (1)	-
	PKD0058	Rotary lobe ⁽³⁾	92, 4K45L	1.7131 hardened		1	-	-	-	-	-
	PKD0059	Rotary lobe ⁽³⁾	92, 4K45R	1.7131 hardened		1	-	-	-	-	-
		Rotary lobe ⁽³⁾	130, 4K45L	1.7131 hardened		-	1	-	2 (1)	-	3
		Rotary lobe ⁽³⁾	130, 4K45R	1.7131 hardened		-	1	-	2 (1)	-	3
	PKD0052	Rotary lobe ⁽³⁾	184, 4K45L	1.7131 hardened		-	-	1	-	2 (1)	-
	PKD0053	Rotary lobe ⁽³⁾	184, 4K45R	1.7131 hardened		-	-	1	-	2 (1)	-
54	PKD0203	Rotary lobe ⁽³⁾	130, 4K45L HiFloplus	1.0503 nitrieded		-	-	-	(1)	-	-
	PKD0204	Rotary lobe ⁽³⁾	130, 4K45R HiFloplus	1.0503 nitrieded		-	-	-	(1)	-	-
	PKD0042	Rotary lobe ⁽³⁾	184, 4K45L HiFloplus	1.0503 nitrieded		-	-	-	-	(1)	-
	PKD0043	Rotary lobe ⁽³⁾	184, 4K45R HiFloplus	1.0503 nitrieded		-	-	-	-	(1)	-
		Rotary lobe ⁽³⁾	130, 4K45L HiFloplus	1.7131 hardened		-	-	-	(1)	-	-
		Rotary lobe ⁽³⁾	130, 4K45R HiFloplus	1.7131 hardened		-	-	-	(1)	-	-
		Rotary lobe ⁽³⁾	184, 4K45L HiFloplus	1.7131 hardened		-	-	-	-	(1)	-
		Rotary lobe ⁽³⁾	184, 4K45R HiFloplus	1.7131 hardened		-	-	-	-	(1)	-

⁽³⁾ + O-ring for solid material lobe

() quantity for HiFlo plus

O-ring for solid material rotary lobes

Position 52-53

Pos.	Part number	Description	Dimensions	Note	Qua.	92	130	184	260	368	390
52	DOR.085	O-ring ⁽⁵⁾	104 x 3	NBR		2	2	2	2	2	2
	DOR.085.EP	O-ring ⁽⁵⁾	104 x 3	EPDM							
	DOR.085.VI	O-ring ⁽⁵⁾	104 x 3	FPM							
	DOR.085.PT	O-ring ⁽⁵⁾	104 x 3	Silicone FEP coated							
53	DOR.163	O-ring ⁽⁵⁾	103 x 5	NBR		-	-	0 2 ⁽⁹⁾	2	2 6 ⁽⁹⁾	4
	DOR.163.EP	O-ring ⁽⁵⁾	103 x 5	EPDM							
	DOR.163.VI	O-ring ⁽⁵⁾	103 x 5	FPM							
	DOR.163.PT	O-ring ⁽⁵⁾	103 x 5	Silicone FEP coated							

⁽⁵⁾ for solid material lobes

⁽⁹⁾ quantity for rotary lobe bi-lobe

Preload

Position 55-56

Pos.	Part number	Description	Dimensions	Note	Qua.	92	130	184	260	368	390
55	DOR.021	O-ring	24 x 3	NBR		2	2	2	2	2	2
	DOR.021.EP	O-ring	24 x 3	EPDM							
	DOR.021.VI	O-ring	24 x 3	FPM							
	DOR.021.PT	O-ring	24 x 3	Silicone FEP coated							
56	PRS.102	Strain bolt	M16			2	2	2	2	2	2

Cover flange and accessories

Position 57-63

Pos.	Part number	Description	Dimensions	Note	Qua.	92	130	184	260	368	390
57	PGP.A005	Cover flange				1	1	1	1	*	*
	PGP.A005.T1	Cover flange		With feet		*	*	*	*	1	1
58	NKS.006	Lifting eye bolt	M12			2	2	2	2	2	2
59	NSP.014	Spring pin	16 x 30			4	4	4	4	4	4
60	NSK.046	Hexagon head bolt	M12 x 60			8	8	8	8	8	8
61	PRS.A015	Distance nut	M12			4	4	4	4	4	4
62	NSK0032	Hexagon head bolt	M12 x 95			-	4	4	4	4	4
	NGS.002	Threaded rod	M12			4x 115 mm	-	-	-	-	-
63	DOR.052	O-ring	368 x 6	NBR		1	1	1	1	1	1
	DOR.052.EP	O-ring	368 x 6	EPDM							
	DOR.052.VI	O-ring	368 x 6	FPM							
	DOR.052.PT	O-ring	368 x 6	Silicone FEP coated							

For option intermediate flange:

63	DOR.052	O-ring	368 x 6	NBR		2	2	2	2	2	2
	DOR.052.EP	O-ring	368 x 6	EPDM							
	DOR.052.VI	O-ring	368 x 6	FPM							
	DOR.052.PT	O-ring	368 x 6	Silicone FEP coated							

* Option

Wear plate

Position 64-65

Pos.	Part number	Description	Dimensions	Note	Qua.	92	130	184	260	368	390
64	NSK.025.EE	Hexagon head bolt	M10 x 16			4	4	4	4	4	4
65	PFL.A002	Wear plate				1	1	1	1	1	1
	PFL.A002.G1	Wear plate		Tungsten carbide coated							

Cover and accessories

Position 66-70

Pos.	Part number	Description	Dimensions	Note	Qua.	92	130	184	260	368	390
66	PGP.A006	Cover				1	1	1	1	1	1
67	NSK.080	Screw plug	M10 x 1	For motor shaft		4	4	4	4	4	4
	NKS.001	Grease nipple	M10 x 1	For PTO shaft							
68	DKR.001	Copper ring	C 10 x 16 x 1	For motor shaft		4	4	4	4	4	4
	BKA.001	Grease nipple cap		For PTO shaft							
70	NMS.004	Hexagon nut	M12	DIN 934-8		4	-	-	-	-	-

Buffer chamber enlargement

Position 74

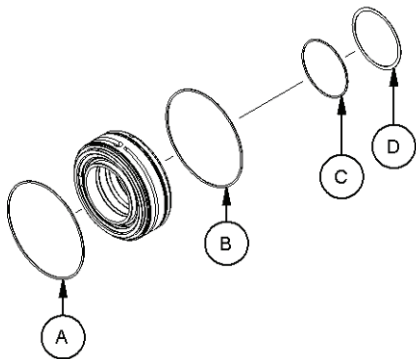
Pos.	Part number	Description	Dimensions	Note	Qua.	92	130	184	260	368	390
74	PSG.014	Buffer fluid tank		Pressurized							
	PSG.014.T1	Quenching fluid tank		Ventilated (option)		1	1	1	1	1	1
	PSV.002.N1	Pressure valve		(Option)							

Cartridge mechanical seal

Pos. 79

Pos.	Part number	Description	Dimensions	Note	Qua.	92	130	184	260	368	390
Steel, nitrided											
79	PBT.A002	Cartridge mechanical seal HD; single-mechanical seal		SiSiC / HNBR		2	2	2	2	2	2
	PBT.A003		SiSiC / FPM								
	PBT.A004		Duronit ⁽⁴⁾ / HNBR								
	PBT.A005		Duronit ⁽⁴⁾ / FPM								
	PBT.A008		SiSiC / EPDM								
	PBT.A012	Cartridge mechanical seal block ring; single-mechanical seal		SiSiC / HNBR							
	PBT.A013		SiSiC / FPM								
	PBT.A014		Carbon / HNBR								
	PBT.A015		Carbon / FPM								
	PBT.A016		Carbon / EPDM								
	PBT.A021		Duronit ⁽⁴⁾ / HNBR								
	PBT.A036		Duronit ⁽⁴⁾ / FPM								

⁽⁴⁾ up to 10 bar [145 psi] real operating pressure



"Loose parts" for Cartridge mechanical seal

Quantity per cartridge

Pos.	Part number	Description	Dimensions	Notes	Qty.
A	DOR.027	O-ring	144 x 3	NBR	1
	DOR.027.VI	O-ring	144.5 x 3	FPM	
B	DOR.027	O-ring	144 x 3	NBR	2
	DOR.027.EP	O-ring	144.5 x 3	EPDM	
	DOR.027.VI	O-ring	144.5 x 3	FPM	
	DOR.027.PT	O-ring	144 x 3	Silicone FEP coated	
C	DOR.044	O-ring	85 x 2.5	NBR	1
	DOR.044.VI	O-ring	85 x 2.5	FPM	
D	NUS.044	Shim	94.5 x 85.5 x 0.75		1

These positions are contained in the Cartridge mechanical seal as "loose parts".

For option component mechanical seal, see pos. 200-213

Bolts and accessories

Pos. 87-88

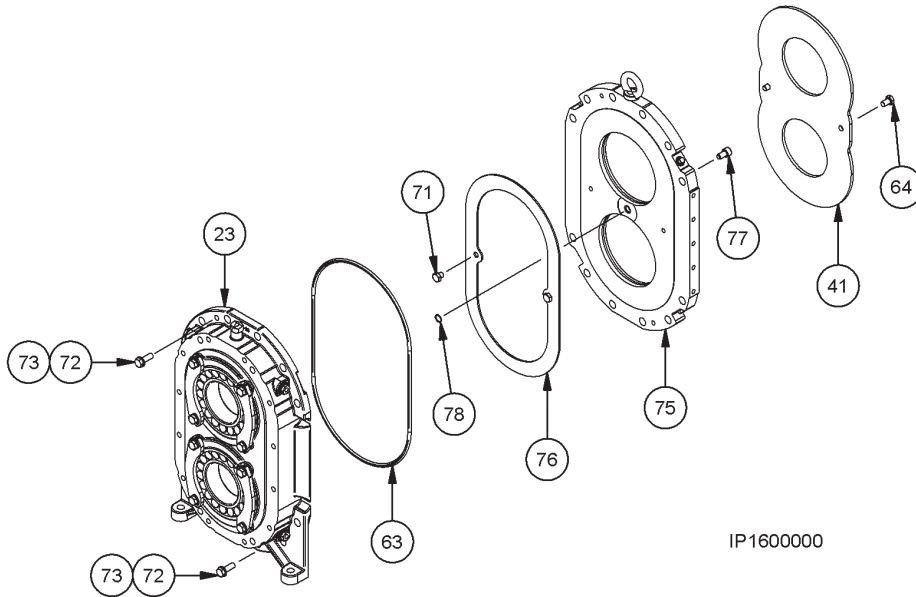
Pos.	Part number	Description	Dimensions	Note	Qua.	92	130	184	260	368	390
87	NSP.024	Spring pin	16 x 26	DIN 7346		-	-	-	-	4	4
88	NSK.053	Hexagon head bolt	M12 x 55	DIN 931		-	-	-	-	12	12

Preload

Position 90-93

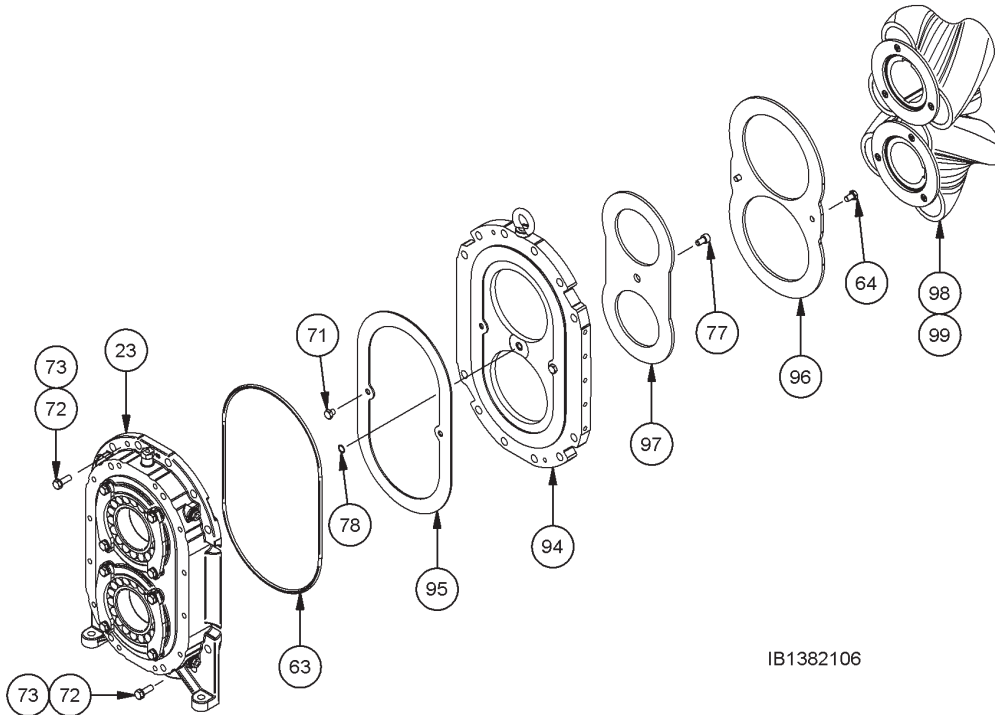
Pos.	Part number	Description	Dimensions	Note	Qua.	92	130	184	260	368	390
90	NST.017	Plug				2	2	2	2	2	2
91	NTF.003	Spring washer	100 x 51 x 6			2	2	2	2	2	2
92	PRS.A009.N1	Pressure disk				2	2	2	2	2	2
93	DOR.045	O-ring	92 x 4	NBR		2	2	2	2	2	2
	DOR.045.EP	O-ring	92 x 4	EPDM							
	DOR.045.VI	O-ring	92 x 4	FPM							
	DOR.045.PT	O-ring	92 x 4	Silicone FEP coated							

Option: Intermediate flange



Pos.	Part number	Description	Dimensions	Note	Qua.	92	130	184	260	368	390
71	NSK0145	Hexagon head bolt	M10 x 10	DIN 933						2	
72	NSK.001	Hexagon head bolt	M10 x 30	DIN 933						2	
73	NUS.004	Washer	A 10.5 x 20 x 2 mm	DIN 125						2	
75	PGP.A021.N1	Intermediate flange								1	
76	PFL.A021	Flame-cut part								1	
77	NSI.096.EE	Cylinder head bolt	M10 x 18	DIN 931						1	
78	DOR.040	O-ring	12 x 2	NBR						1	
	DOR.040.EP	O-ring	12 x 2	EPDM							
	DOR.040.VI	O-ring	12 x 2	FPM							
	DOR.040.PT	O-ring	12 x 2	Silicon FEP coated							

Option: Radial labyrinth



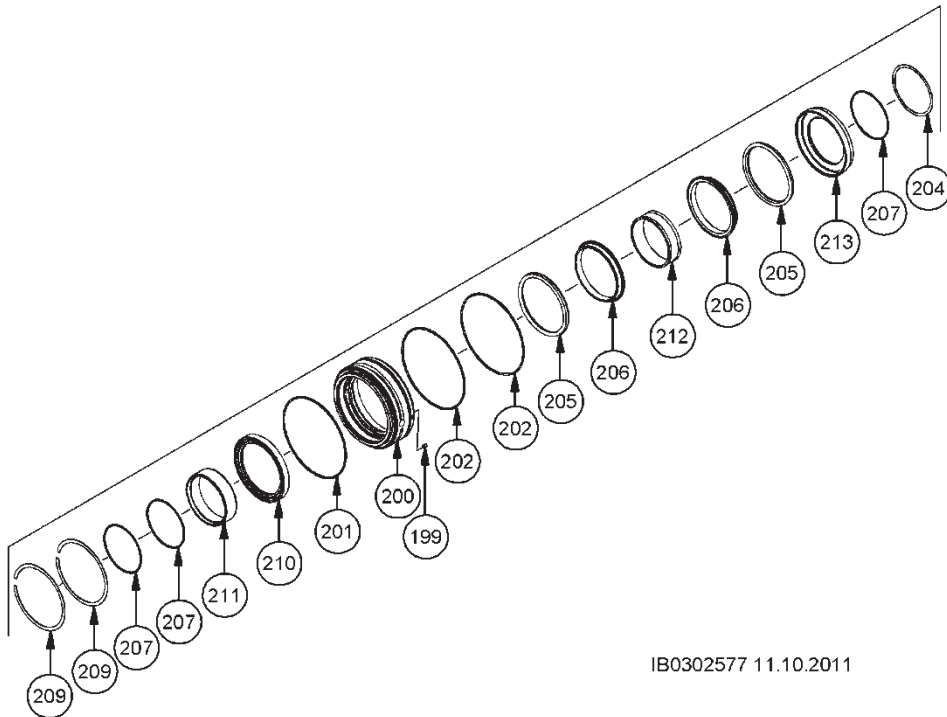
IB1382106

Pos.	Part number	Description	Dimensions	Note	Qua.	92	130	184	260	368	390
41		Wear plate		Replaced by Pos. 96		-	-	-	-	-	-
51-54		Rotary lobe		Replaced by Pos. 98-99		-	-	-	-	-	-
71	NSK0145	Hexagon head bolt	M10 x 10	DIN 933						2	
72	NSK.001	Hexagon head bolt	M10 x 30	DIN 933						2	
73	NUS.004	Washer	A 10.5 x 20 x 2 mm	DIN 125						2	
77	NSI.096.EE	Cylinder head bolt	M10 x 18	DIN 931						1	
78	DOR.040	O-ring	12 x 2	NBR						1	
	DOR.040.EP	O-ring	12 x 2	EPDM							
	DOR.040.VI	O-ring	12 x 2	FPM							
	DOR.040.PT	O-ring	12 x 2	Silicon FEP coated							
94	PGP0070	Intermediate flange								1	
95	PFL.A021	Flame-cut part								1	
96	PFL0053	Wear plate	6 mm	Instead of Pos. 41						1	
97	PFL0055	Wear plate	6 mm							1	
HiFlo											
98	PKD0225	Rotary lobe	130, 3K60L HiFlo	NBR		-	1	-	-	-	-
	PKD0226	Rotary lobe	130, 3K60R HiFlo	NBR		-	1	-	-	-	-
98	PKD0236	Rotary lobe	130, 3K60L HiFlo	PUR		-	1	-	-	-	-
	PKD0237	Rotary lobe	130, 3K60R HiFlo	PUR		-	1	-	-	-	-
Rotary lobe; bi-lobe											
98	PKD0227	Rotary lobe	130	NBR		-	2	-	-	-	-
Solid material lobe											
98	PKD0192	Rotary lobe ⁽³⁾	130, 3K60L HiFlo	1.0503 nitrided		-	1	-	-	-	-
	PKD0193	Rotary lobe ⁽³⁾	130, 3K60R HiFlo	1.0503 nitrided		-	1	-	-	-	-
99	DOR.085	O-ring ⁽⁵⁾	104 x 3	NBR		-	2	-	-	-	-
	DOR.085.EP	O-ring ⁽⁵⁾	104 x 3	EPDM							
	DOR.085.VI	O-ring ⁽⁵⁾	104 x 3	FPM							
	DOR.085.PT	O-ring ⁽⁵⁾	104 x 3	Silicone FEP coated							

⁽³⁾ + O-ring for solid material lobe

⁽⁵⁾ for solid material lobes

Option: Component mechanical seal
Pos. 200-213






IB0302577 11.10.2011


Pos.	Part number	Description	Dimensions	Note	Qua.	92	130	184	260	368	390
199	NGS.080.E	Hexagon socket set screw	M6 x 6	DIN 913		4	4	4	4	4	4
200	PRS.A026.N1.T1	Seal carrier				2	2	2	2	2	2
201	DOR.027	O-ring	144 x 3	NBR 70		2	2	2	2	2	2
	DOR.027.VI	O-ring	144 x 3	FPM							
202	DOR.027	O-ring	144 x 3	NBR		4	4	4	4	4	4
	DOR.027.EP	O-ring	144,5 x 3	EPDM							
	DOR.027.VI	O-ring	144,5 x 3	FPM							
	DOR.027.PT	O-ring	144 x 3	Silicone FEP-coated							
204	NUS.044	Shim	94.5 x 85.5 x 0.75			2	2	2	2	2	2
205		For seal ring DGL.A013				4	4	4	4	4	4
	DOR.033.HNB	O-ring	99 x 7,7	NBR							
	DOR.033.VI	O-ring	99 x 7,7	FPM							
	DOR.033.SI	O-ring	99 x 7,7	Silicone Check resistance!							
		For seal ring DGL.A013.SC									
	DOR.091.HNB	O-ring	99 x 8	NBR							
	DOR.091.VI	O-ring	99 x 8	FPM							
DOR.091.SI	O-ring	99 x 8	Silicone Check resistance!								
206	DGL.A013	Seal ring		Duronit ⁽⁴⁾		4	4	4	4	4	4
	DGL.A013.SC	Seal ring		Silicon carbide							
207	DOR.044	O-ring	85 x 2,5; NBR			4	4	4	4	4	4
	DOR.044.VI	O-ring	85 x 2,5; FPM								
209	NSR.028	Multi-disc ring	120 x 6 x 1			4	4	4	4	4	4
210	DWD.067	Radial shaft seal ring	95 x 120 x 12			2	2	2	2	2	2
211	PRS.A041	Rotating ring				2	2	2	2	2	2
212	PRS.A027	Distance ring				2	2	2	2	2	2
213	PRS.A025.N2	Adjusting ring				2	2	2	2	2	2

⁽⁴⁾ up to 10 bar [145 psi] real operating pressure



Tools

Pos.	Part number	Description	Dimensions	Note	Qua.	92	130	184	260	368	390
	PBA.A001.TK	Lobe puller	92 + 130			x	x	-	-	-	-
	PBA.A001.TL	Lobe puller	184 + 260			-	-	x	x	-	-
	PBA.A001.T1	Lobe puller	352 + 390			-	-	-	-	x	x
	PBA.A011	Assembly tool		Radial shaft seal ring (DWD.049)							
	PBA.A012	Assembly tool		Inner ring (NIR.014)							
	PGP.A015	Assembly tool		Bearing seal housing (PGP.A018.T2)							

Cartridge mechanical seal:

	PBA0009	Tool set		Cartridge mechanical seal					x			
	WKZ0457	Disassembly tool Cartridge mechanical seal		Included in PBA0009								
	PBA.A014.N1	Tool		Included in WKZ0457						(1)		
	NSI.057	Cylinder head bolt	M 6 x 16								(2)	
	NSK.155	Hexagon head bolt	M 8 x 80								(3)	

Component mechanical seal:

	PBA.A010	Assembly tool		Mechanical seal ring support (PRS.A026.N1.T1)							
	PBA.A006.N1	Assembly tool		Mechanical seal [DGL.A013]							
	PBA.A033.T1	Multi-purpose tool		Cartridge mechanical seal + rotary lobe		x	x	x	x	x	-
	WKZ0106	Service tool box	VX186Q			x	x	x	x	-	-

Material for connectors

Pos.	Part number	Description	Dimensions	Note	Qua.	92	130	184	260	368	390
	NSK.001	Hexagon head bolt	M 10 x 30	DIN 933		24	28	32	36	40	44
	NUS.004	Washer	A 10.5 x 20 x 2	DIN 125		24	28	32	36	40	44
	DFD.070.P	Flange gasket	92			2	-	-	-	-	-
	DFD.071.P	Flange gasket	130			-	2	-	-	-	-
	DFD.072.P	Flange gasket	184			-	-	2	-	-	-
	DFD.073.P	Flange gasket	260			-	-	-	2	-	-
	DFD.074.P	Flange gasket	368			-	-	-	-	2	-
	DFD.104.P	Flange gasket	390			-	-	-	-	-	2
	PFL.120	Flange	92			2	-	-	-	-	-
	PFL.121	Flange	130			-	2	-	-	-	-
	PFL.122	Flange	184			-	-	2	-	-	-
	PFL.123	Flange	260			-	-	-	2	-	-
	PFL.124	Flange	368			-	-	-	-	2	-
	PFL.148	Flange	390			-	-	-	-	-	2

Required spare parts for rotary lobe change

Pos.	Part number	Description	Dimensions	Note	Qua.	92	130	184	260	368	390
21	NPF.040	Fitting key	B 22 x 14 x 50	DIN 6885		2	-	-	-	-	2
	NPF.042	Fitting key	B 22 x 14 x 90	DIN 6885		-	2	-	-	-	-
	NPF.043	Fitting key	B 22 x 14 x 100	DIN 6885		-	-	-	-	2	6
	NPF.044	Fitting key	B 22 x 14 x 140	DIN 6885		-	-	2	-	-	-
	NPF.045	Fitting key	B 22 x 14 x 220	DIN 6885		-	-	-	2	2	-
51-54		Rotary lobe		See page 10 and follow							
55	DOR.021	O-ring	24 x 3	NBR		2	2	2	2	2	2
	DOR.021.EP	O-ring	24 x 3	EPDM							
	DOR.021.VI	O-ring	24 x 3	FPM							
	DOR.021.PT	O-ring	24 x 3	Silicone FEP coated							
56	PRS.102	Strain bolt	M16			2	2	2	2	2	2
63	DOR.052	O-ring	368 x 6	NBR		1	1	1	1	1	1
	DOR.052.EP	O-ring	368 x 6	EPDM							
	DOR.052.VI	O-ring	368 x 6	FPM							
	DOR.052.PT	O-ring	368 x 6	Silicone FEP coated							
90	NST.017	Plug				2	2	2	2	2	2
93	DOR.045	O-ring	92 x 4	NBR		2	2	2	2	2	2
	DOR.045.EP	O-ring	92 x 4	EPDM							
	DOR.045.VI	O-ring	92 x 4	FPM							
	DOR.045.PT	O-ring	92 x 4	Silicone FEP coated							

Necessary spare parts for Cartridge mechanical seal change

Pos.	Part number	Description	Dimensions	Note	Qua.	92	130	184	260	368	390	
55	DOR.021	O-ring	24 x 3	NBR								
	DOR.021.EP	O-ring	24 x 3	EPDM								
	DOR.021.VI	O-ring	24 x 3	FPM		2	2	2	2	2	2	
	DOR.021.PT	O-ring	24 x 3	Silicone FEP coated								
56	PRS.102	Strain bolt	M16			2	2	2	2	2	2	
63	DOR.052	O-ring	368 x 6	NBR								
	DOR.052.EP	O-ring	368 x 6	EPDM								
	DOR.052.VI	O-ring	368 x 6	FPM		1	1	1	1	1	1	
	DOR.052.PT	O-ring	368 x 6	Silicone FEP coated								
Steel, nitrided												
79	PBT.A002	Cartridge mechanical seal HD; single-mechanical seal		SiSiC / HNBR								
	PBT.A003			SiSiC / FPM								
	PBT.A004			Duronit ⁽⁴⁾ / HNBR								
	PBT.A005			Duronit ⁽⁴⁾ / FPM								
	PBT.A008			SiSiC / EPDM								
	PBT.A012	Cartridge mechanical seal block ring; single-mechanical seal		SiSiC / HNBR		2	2	2	2	2	2	
	PBT.A013			SiSiC / FPM								
	PBT.A014			Carbon / HNBR								
	PBT.A015			Carbon / FPM								
	PBT.A016			Carbon / EPDM								
	PBT.A021			Duronit ⁽⁴⁾ / HNBR								
PBT.A036			Duronit ⁽⁴⁾ / FPM									
90	NST.017	Plug				2	2	2	2	2	2	
93	DOR.045	O-ring	92 x 4	NBR								
	DOR.045.EP	O-ring	92 x 4	EPDM								
	DOR.045.VI	O-ring	92 x 4	FPM		2	2	2	2	2	2	
	DOR.045.PT	O-ring	92 x 4	Silicone FEP coated								

⁽⁴⁾ up to 10 bar [145 psi] real operating pressure

Necessary spare parts for wear part replacement with Cartridge mechanical seal

Pos.	Part number	Description	Dimensions	Note	Qua.	92	130	184	260	368	390
21	NPF.040	Fitting key	B 22 x 14 x 50	DIN 6885		2	-	-	-	-	2
	NPF.042	Fitting key	B 22 x 14 x 90	DIN 6885		-	2	-	-	-	-
	NPF.043	Fitting key	B 22 x 14 x 100	DIN 6885		-	-	-	-	2	6
	NPF.044	Fitting key	B 22 x 14 x 140	DIN 6885		-	-	2	-	-	-
	NPF.045	Fitting key	B 22 x 14 x 220	DIN 6885		-	-	-	2	2	-
41	PFL.A017	Wear plate				1	1	1	1	1	1
	PFL.A017.G1	Wear plate		Tungsten carbide coated							
46	DAD.028	Gasket		Asbestos-free fibre material		4	4	4	4	6	6
51-54		Rotary lobe		See page 10 and follow							
55	DOR.021	O-ring	24 x 3	NBR		2	2	2	2	2	2
	DOR.021.EP	O-ring	24 x 3	EPDM							
	DOR.021.VI	O-ring	24 x 3	FPM							
	DOR.021.PT	O-ring	24 x 3	Silicone FEP coated							
56	PRS.102	Strain bolt	M16			2	2	2	2	2	2
63	DOR.052	O-ring	368 x 6	NBR		1	1	1	1	1	1
	DOR.052.EP	O-ring	368 x 6	EPDM							
	DOR.052.VI	O-ring	368 x 6	FPM							
	DOR.052.PT	O-ring	368 x 6	Silicone FEP coated							
64	NSK.025.EE	Hexagon head bolt	M10 x 16			4	4	4	4	4	4
65	PFL.A002	Wear plate				1	1	1	1	1	1
	PFL.A002.G1	Wear plate		Tungsten carbide coated							
Steel, nitrided											
79	PBT.A002	Cartridge mechanical seal HD; single-mechanical seal		SiSiC / HNBR		2	2	2	2	2	2
	PBT.A003			SiSiC / FPM							
	PBT.A004			Duronit ⁽⁴⁾ / HNBR							
	PBT.A005			Duronit ⁽⁴⁾ / FPM							
	PBT.A008			SiSiC / EPDM							
	PBT.A012	Cartridge mechanical seal block ring; single-mechanical seal		SiSiC / HNBR							
	PBT.A013			SiSiC / FPM							
	PBT.A014			Carbon / HNBR							
	PBT.A015			Carbon / FPM							
	PBT.A016			Carbon / EPDM							
PBT.A021		Duronit ⁽⁴⁾ / HNBR									
PBT.A036		Duronit ⁽⁴⁾ / FPM									
90	NST.017	Plug				2	2	2	2	2	2
93	DOR.045	O-ring	92 x 4	NBR		2	2	2	2	2	2
	DOR.045.EP	O-ring	92 x 4	EPDM							
	DOR.045.VI	O-ring	92 x 4	FPM							
	DOR.045.PT	O-ring	92 x 4	Silicone FEP coated							

⁽⁴⁾ up to 10 bar [145 psi] real operating pressure

Continuation see next page

Option, radial labyrinth:

Pos.	Part number	Description	Dimensions	Note	Qua.	92	130	184	260	368	390
96	PFL0053	Wear plate	6 mm	Instead of Pos. 41					1		
97	PFL0055	Wear plate	6 mm						1		

HiFlo

98	PKD0225	Rotary lobe	130, 3K60L HiFlo	NBR		-	1	-	-	-	-
	PKD0226	Rotary lobe	130, 3K60R HiFlo	NBR		-	1	-	-	-	-
98	PKD0236	Rotary lobe	130, 3K60L HiFlo	PUR		-	1	-	-	-	-
	PKD0237	Rotary lobe	130, 3K60R HiFlo	PUR		-	1	-	-	-	-

Rotary lobe; bi-lobe

98	PKD0227	Rotary lobe	130	NBR		-	2	-	-	-	-
----	---------	-------------	-----	-----	--	---	---	---	---	---	---

Solid material lobe

98	PKD0192	Rotary lobe ⁽³⁾	130, 3K60L HiFlo	1.0503 nitrided		-	1	-	-	-	-
	PKD0193	Rotary lobe ⁽³⁾	130, 3K60R HiFlo	1.0503 nitrided		-	1	-	-	-	-
99	DOR.085	O-ring ⁽⁵⁾	104 x 3	NBR		-	2	-	-	-	-
	DOR.085.EP	O-ring ⁽⁵⁾	104 x 3	EPDM							
	DOR.085.VI	O-ring ⁽⁵⁾	104 x 3	FPM							
	DOR.085.PT	O-ring ⁽⁵⁾	104 x 3	Silicone FEP coated							

Pos. 41 + 51-54 are replaced by Pos. 96 + 98-99.

⁽³⁾ + O-ring for solid material lobe

⁽⁵⁾ for solid material lobes

Necessary spare parts for component mechanical seal change

Pos.	Part number	Description	Dimensions	Note	Qua.	92	130	184	260	368	390
55	DOR.021	O-ring	24 x 3	NBR							
	DOR.021.EP	O-ring	24 x 3	EPDM							
	DOR.021.VI	O-ring	24 x 3	FPM		2	2	2	2	2	2
	DOR.021.PT	O-ring	24 x 3	Silicone FEP coated							
56	PRS.102	Strain bolt	M16			2	2	2	2	2	2
63	DOR.052	O-ring	368 x 6	NBR							
	DOR.052.EP	O-ring	368 x 6	EPDM							
	DOR.052.VI	O-ring	368 x 6	FPM		1	1	1	1	1	1
	DOR.052.PT	O-ring	368 x 6	Silicone FEP coated							
90	NST.017	Plug				2	2	2	2	2	2
93	DOR.045	O-ring	92 x 4	NBR							
	DOR.045.EP	O-ring	92 x 4	EPDM							
	DOR.045.VI	O-ring	92 x 4	FPM		2	2	2	2	2	2
	DOR.045.PT	O-ring	92 x 4	Silicone FEP coated							
201	DOR.027	O-ring	144 x 3	NBR 70		2	2	2	2	2	2
	DOR.027.VI	O-ring	144 x 3	FPM							
202	DOR.027	O-ring	144 x 3	NBR							
	DOR.027.EP	O-ring	144,5 x 3	EPDM							
	DOR.027.VI	O-ring	144,5 x 3	FPM		4	4	4	4	4	4
	DOR.027.PT	O-ring	144 x 3	Silicone FEP-coated							
204	NUS.044	Shim	94.5 x 85.5 x 0.75			2	2	2	2	2	2
205		For seal ring DGL.A013									
	DOR.033.HNB	O-ring	99 x 7,7	NBR							
	DOR.033.VI	O-ring	99 x 7,7	FPM							
	DOR.033.SI	O-ring	99 x 7,7	Silicone Check resistance!							
		For seal ring DGL.A013.SC									
	DOR.091.HNB	O-ring	99 x 8	NBR		4	4	4	4	4	4
	DOR.091.VI	O-ring	99 x 8	FPM							
DOR.091.SI	O-ring	99 x 8	Silicone Check resistance!								
206	DGL.A013	Seal ring		Duronit ⁽⁴⁾		4	4	4	4	4	4
	DGL.A013.SC	Seal ring		Silicon carbide							
207	DOR.044	O-ring	85 x 2,5; NBR			4	4	4	4	4	4
	DOR.044.VI	O-ring	85 x 2,5; FPM								

⁽⁴⁾ up to 10 bar [145 psi] real operating pressure

Necessary spare parts for wear part replacement with component mechanical seal

Pos.	Part number	Description	Dimensions	Note	Qua.	92	130	184	260	368	390
21	NPF.040	Fitting key	B 22 x 14 x 50	DIN 6885		2	-	-	-	-	2
	NPF.042	Fitting key	B 22 x 14 x 90	DIN 6885		-	2	-	-	-	-
	NPF.043	Fitting key	B 22 x 14 x 100	DIN 6885		-	-	-	-	2	6
	NPF.044	Fitting key	B 22 x 14 x 140	DIN 6885		-	-	2	-	-	-
	NPF.045	Fitting key	B 22 x 14 x 220	DIN 6885		-	-	-	2	2	-
41	PFL.A017	Wear plate				1	1	1	1	1	1
	PFL.A017.G1	Wear plate		Tungsten carbide coated							
46	DAD.028	Gasket		Asbestos-free fibre material		4	4	4	4	6	6
51-54		Rotary lobe		See page 10 and follow							
55	DOR.021	O-ring	24 x 3	NBR		2	2	2	2	2	2
	DOR.021.EP	O-ring	24 x 3	EPDM							
	DOR.021.VI	O-ring	24 x 3	FPM							
	DOR.021.PT	O-ring	24 x 3	Silicone FEP coated							
56	PRS.102	Strain bolt	M16			2	2	2	2	2	2
63	DOR.052	O-ring	368 x 6	NBR		1	1	1	1	1	1
	DOR.052.EP	O-ring	368 x 6	EPDM							
	DOR.052.VI	O-ring	368 x 6	FPM							
	DOR.052.PT	O-ring	368 x 6	Silicone FEP coated							
64	NSK.025.EE	Hexagon head bolt	M10 x 16			4	4	4	4	4	4
65	PFL.A002	Wear plate				1	1	1	1	1	1
	PFL.A002.G1	Wear plate		Tungsten carbide coated							
90	NST.017	Plug				2	2	2	2	2	2
93	DOR.045	O-ring	92 x 4	NBR		2	2	2	2	2	2
	DOR.045.EP	O-ring	92 x 4	EPDM							
	DOR.045.VI	O-ring	92 x 4	FPM							
	DOR.045.PT	O-ring	92 x 4	Silicone FEP coated							
201	DOR.027	O-ring	144 x 3	NBR 70		2	2	2	2	2	2
	DOR.027.VI	O-ring	144 x 3	FPM							
202	DOR.027	O-ring	144 x 3	NBR		4	4	4	4	4	4
	DOR.027.EP	O-ring	144,5 x 3	EPDM							
	DOR.027.VI	O-ring	144,5 x 3	FPM							
	DOR.027.PT	O-ring	144 x 3	Silicone FEP-coated							
204	NUS.044	Shim	94.5 x 85.5 x 0.75			2	2	2	2	2	2
205		For seal ring DGL.A013				4	4	4	4	4	4
	DOR.033.HNB	O-ring	99 x 7,7	NBR							
	DOR.033.VI	O-ring	99 x 7,7	FPM							
	DOR.033.SI	O-ring	99 x 7,7	Silicone Check resistance!							
		For seal ring DGL.A013.SC									
	DOR.091.HNB	O-ring	99 x 8	NBR							
	DOR.091.VI	O-ring	99 x 8	FPM							
DOR.091.SI	O-ring	99 x 8	Silicone Check resistance!								
206	DGL.A013	Seal ring		Duronit ⁽⁴⁾		4	4	4	4	4	4
	DGL.A013.SC	Seal ring		Silicon carbide							
207	DOR.044	O-ring	85 x 2,5; NBR			4	4	4	4	4	4
	DOR.044.VI	O-ring	85 x 2,5; FPM								

⁽⁴⁾ up to 10 bar [145 psi] real operating pressure

Continuation see next page

Option, radial labyrinth:

Pos.	Part number	Description	Dimensions	Note	Qua.	92	130	184	260	368	390
96	PFL0053	Wear plate	6 mm	Instead of Pos. 41					1		
97	PFL0055	Wear plate	6 mm						1		

HiFlo

98	PKD0225	Rotary lobe	130, 3K60L HiFlo	NBR		-	1	-	-	-	-
	PKD0226	Rotary lobe	130, 3K60R HiFlo	NBR		-	1	-	-	-	-
98	PKD0236	Rotary lobe	130, 3K60L HiFlo	PUR		-	1	-	-	-	-
	PKD0237	Rotary lobe	130, 3K60R HiFlo	PUR		-	1	-	-	-	-

Rotary lobe; bi-lobe

98	PKD0227	Rotary lobe	130	NBR		-	2	-	-	-	-
----	---------	-------------	-----	-----	--	---	---	---	---	---	---

Solid material lobe

98	PKD0192	Rotary lobe ⁽³⁾	130, 3K60L HiFlo	1.0503 nitrided		-	1	-	-	-	-
	PKD0193	Rotary lobe ⁽³⁾	130, 3K60R HiFlo	1.0503 nitrided		-	1	-	-	-	-
99	DOR.085	O-ring ⁽⁵⁾	104 x 3	NBR		-	2	-	-	-	-
	DOR.085.EP	O-ring ⁽⁵⁾	104 x 3	EPDM							
	DOR.085.VI	O-ring ⁽⁵⁾	104 x 3	FPM							
	DOR.085.PT	O-ring ⁽⁵⁾	104 x 3	Silicone FEP coated							

Pos. 41 + 51-54 are replaced by Pos. 96 + 98-99.

⁽³⁾ + O-ring for solid material lobe

⁽⁵⁾ for solid material lobes

VOGELSANG



Hugo Vogelsang Maschinenbau GmbH

Holthöge 10-14
49632 Essen/Oldb.

Phone: +49 (0) 54 34 83 0
Fax: +49 (0) 54 34 83 10

vogelsang-gmbh.com
info@vogelsang-gmbh.com

ENGINEERED TO WORK

Australien
Vogelsang Pty. Ltd.
vogelsang.com.au

Indien
Vogelsang India Private Limited
vogelsangindia.com

Russland
Vogelsang Russland
vogelsang.ru

Brasilien
Vogelsang Brasil Ltda.
vogelsang.com.br

Irland
Vogelsang Ireland
vogelsang.ie

Schweden
Vogelsang Sverige AB
vogelsang.se

China
Vogelsang Mechanical Engineering (Shanghai) Co., Ltd.
vogelsang.com.cn

Italien
Vogelsang Italy Srl
vogelsang-srl.it

Spanien
Vogelsang S.L.
vogelsang.es

Dänemark
Vogelsang A/S
vogelsang-as.dk

Malaysia
Vogelsang Malaysia
vogelsang.info

Südkorea
Vogelsang Korea Co., Ltd.
vogelsang.co.kr

Deutschland - Niederlassung Ost
Vogelsang Lutherstadt Eisleben
vogelsang-gmbh.com

Mexico
Vogelsang De México S.de R.L. de CV
vogelsang.mx

Tschechische Republik
Vogelsang CZ s.r.o.
vogelsang-czech.cz

Finnland
Vogelsang Oy
vogelsang.fi

Polen
Vogelsang Poland Sp. z o.o.
vogelsang.pl

USA
Vogelsang USA Ltd.
vogelsangusa.com

Frankreich
Vogelsang France S.A.R.L.
vogelsang.fr

Österreich
Vogelsang Austria GmbH
vogelsang-austria.at

Großbritannien
Vogelsang Ltd.
vogelsang.co.uk

Rumänien
Vogelsang Romania SRL
vogelsang.ro