

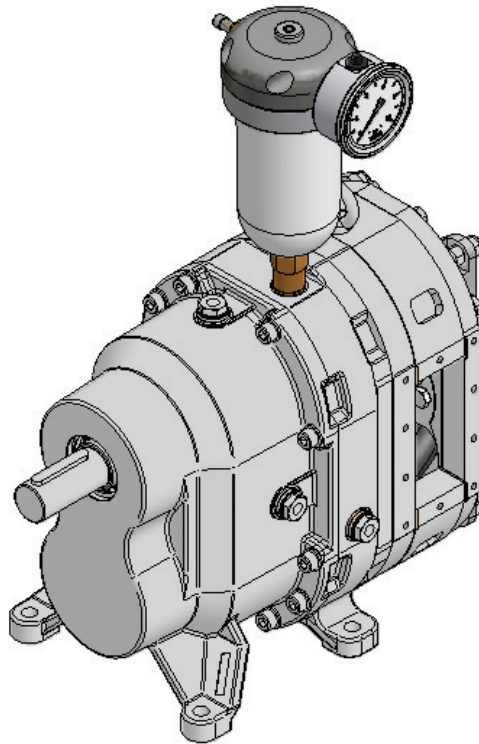


Spare Parts List

Rotary Lobe Pump

VX100Q VVA

ENGINEERED TO WORK



Issuer

Hugo Vogelsang Maschinenbau GmbH
Holthöge 10-14
49632 Essen/Oldb.

Phone: +49 54 34 83 0
Fax: +49 54 34 83 10

vogelsang-gmbh.com
info@vogelsang-gmbh.com

In the absence of express, written authorisation from the issuer, the reproduction or partial reproduction of this document in any form is prohibited.

We reserve the right to make technical modifications to the diagrams and information presented in this document in the event that such modifications become necessary for the enhancement of the machine.

© 2016 Hugo Vogelsang Maschinenbau GmbH

Registered trademarks of Vogelsang

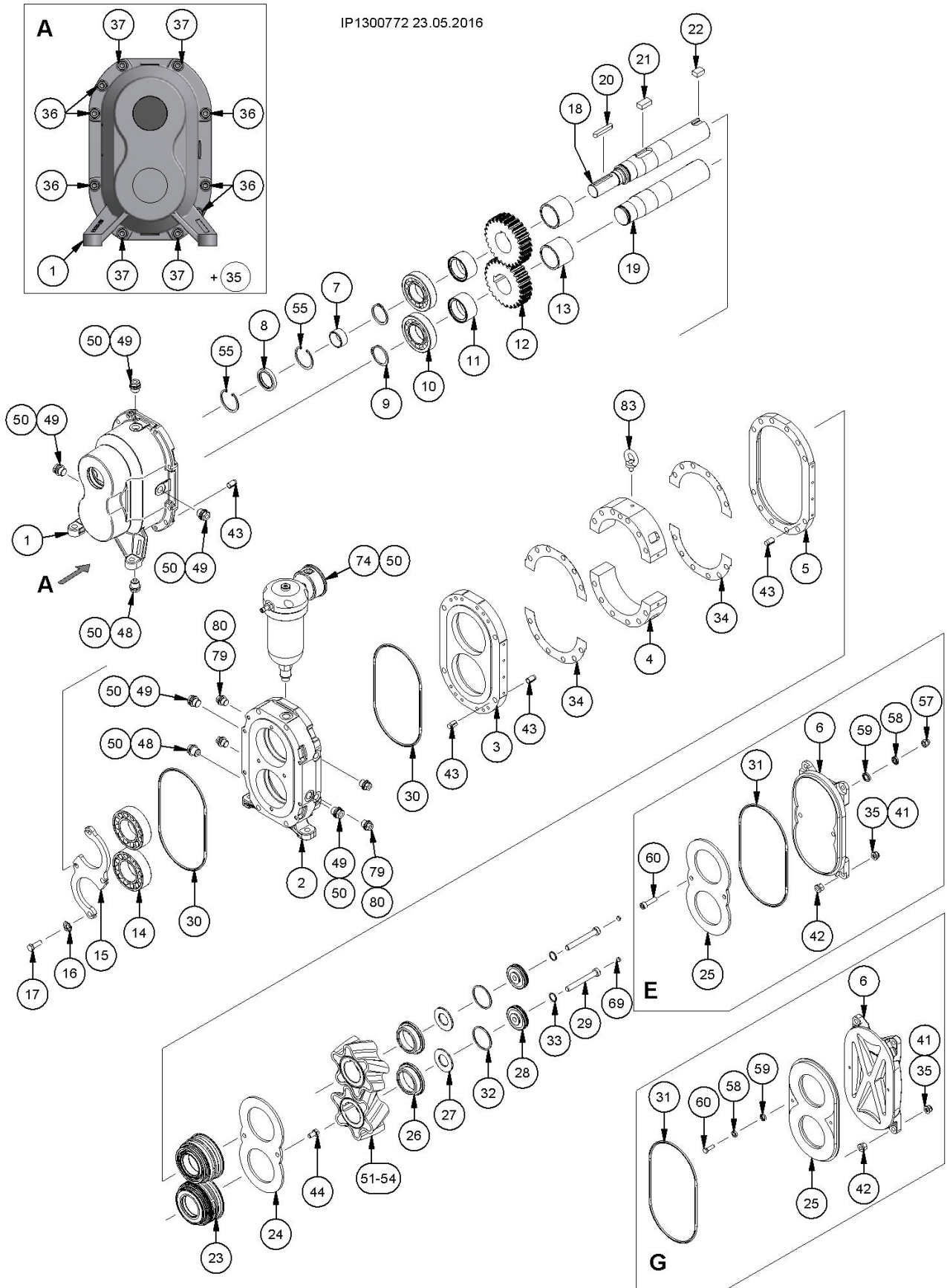
Vogelsang, RotaCut, PreMix, HiFlo, ACC, CFC, BioCrack, XTill, EnergyJet and BioCut are registered trademarks of Hugo Vogelsang Maschinenbau GmbH.

The registered trademarks are not always designated with an ® symbol in this document.

Contents

Exploded view	4
Housing	5
Position 1-3	5
Pump housing segment	5
Pos. 4.....	5
Cover flange and cover plate	5
Pos. 5-6.....	5
Inner ring/ radial shaft seal ring	6
Pos. 7-8.....	6
Gear, bearing and accessories	6
Pos. 9-17.....	6
Motor shaft	6
Positions 18-19	6
Fitting key	6
Pos. 20-22.....	6
Cartridge mechanical seal	7
Pos. 23.....	7
"Loose parts" for Cartridge mechanical seal	7
Wear plate	8
Pos. 24-25.....	8
Preload	8
Position 27-29	8
O-ring	8
Pos. 30-33.....	8
Gasket for pump housing segment	9
Position 34	9
Bolts and accessories	9
Positions 35-41	9
Bolts and accessories	9
Position 42-45	9
Rotary lobes	10
Position 51-54	10
HiFlo	10
Rotary lobes; bi-lobe	13
Solid material lobe	13
Accessories	14
Pos. 55 – 69 + 83	14
Buffer chamber enlargement	14
Position 74	14
Screw plug + copper ring	14
Position 79-80	14
Option	15
Flushing connector cartridge	15
Position 79-81	15
Option	15
Locking device Cartridge	15
Position 79-80	15
Tools	16
Material for connectors	16
Required spare parts for rotary lobe change	17
Required spare parts for mechanical seal change	18
Required spare parts for wear part replacement	19

Exploded view



IP1300772 23.05.2016

Variant E: cover 1.4571 (stainless steel)
Variant G: cover 0.6025 (grey cast iron)

Housing

Position 1-3

Pos.	Part number	Description	Dimensions	Note	Qty.	45	64	90	128
1	PGP0001	Gearbox housing		Standard		1			
	PGP0002 ⁽⁷⁾	Gearbox housing		For hollow shaft					
	PGP0055	Gearbox housing		For coupling					
2	PGP0059	Bearing seal housing				1			
	PGP0422	Bearing seal housing		Option: painted buffer chamber					
	PGP0517	Bearing seal housing		Option: KTL Coating					
3	PGP0046	Intermediate flange						1	

⁽⁷⁾ for hydraulic motor

Pump housing segment

Pos. 4

Pos.	Part number	Description	Dimensions	Note	Qty.	45	64	90	128
Stainless steel									
4	PGP.D020.E	Pump housing segment	45	1.4571		2	-	-	-
	PGP.D021.E	Pump housing segment	64			-	2	-	-
	PGP.D022.E	Pump housing segment	90			-	-	2	-
	PGP.D023.E	Pump housing segment	128			-	-	-	2
	PGP.D020.E.G1	Pump housing segment	45	1.4571 tungsten carbide coated		2	-	-	-
	PGP.D021.E.G1	Pump housing segment	64			-	2	-	-
	PGP.D022.E.G1	Pump housing segment	90			-	-	2	-
	PGP.D023.E.G1	Pump housing segment	128			-	-	-	2
	PGP.D020.E.G2	Pump housing segment	45	1.4571 hardened		2	-	-	-
	PGP.D021.E.G2	Pump housing segment	64			-	2	-	-
	PGP.D022.E.G2	Pump housing segment	90			-	-	2	-
	PGP.D023.E.G2	Pump housing segment	128			-	-	-	2

Injection S

4	PGP.D030.E	Pump housing segment	45	1.4571		2	-	-	-
	PGP.D031.E	Pump housing segment	64			-	2	-	-
	PGP.D032.E	Pump housing segment	90			-	-	2	-
	PGP.D033.E	Pump housing segment	128			-	-	-	2
	PGP.D030.E.G1	Pump housing segment	45	1.4571 tungsten carbide coated		2	-	-	-
	PGP.D031.E.G1	Pump housing segment	64			-	2	-	-
	PGP.D032.E.G1	Pump housing segment	90			-	-	2	-
	PGP.D033.E.G1	Pump housing segment	128			-	-	-	2

Cover flange and cover plate

Pos. 5-6

Pos.	Part number	Description	Dimensions	Note	Qty.	45	64	90	128
5	PGP.D011.E	Cover flange						1	
6	PGP.D203.E	Cover plate		E= 1.4571 stainless steel				1	
	PGP.D012.E	Cover plate		G= 0.6025 grey cast iron					

Inner ring/ radial shaft seal ring

Pos. 7-8

Pos.	Part number	Description	Dimensions	Note	Qty.	45	64	90	128
7	NIR.020	Inner ring	JR 30 x 35 x17						
	NIR.027 ⁽⁷⁾	Inner ring	JR 40 x 45 x 30	For hollow shaft				1	
8	DWD.037	Radial shaft seal ring	35 x 47 x 7	NBR					
	DWD.037.VI	Radial shaft seal ring	35 x 47 x 7	FPM					1
	DWD0001 ⁽⁷⁾	Radial shaft seal ring	45 x 55 x 7	For hollow shaft					

⁽⁷⁾ for hydraulic motor

Gear, bearing and accessories

Pos. 9-17

Pos.	Part number	Description	Dimensions	Note	Qty.	45	64	90	128
9	NSR.016	Retaining ring	40 x 2,5	DIN 471				2	
10	NLG.031	Cylindrical roller bearing	40 x 80 x 18					2	
11	PRS.D003	Spacer sleeve	41 x 54 x 28	Gear-floating bearing				2	
12	PZH.D005	Gear						2	
13	PRS.D002	Spacer sleeve	45 x 53 x 40	Gear-floating bearing				2	
14	NLG.032	Bearing	45 x 85 x 23					2	
15	PFL.D023	Fixing sheet		For fixed bearing				1	
16	NUS.116	Lock washer						4	
17	NSK.019	Hexagon head bolt	M8 x 25	DIN 933				4	

Motor shaft

Positions 18-19

Pos.	Part number	Description	Dimensions	Note	Qty.	45	64	90	128
18	PWQ.D021	Motor shaft	45	Long		1	-	-	-
	PWQ0002	Motor shaft	64	Long		-	1	-	-
	PWQ0003	Motor shaft	90	Long		-	-	1	-
	PWQ0004	Motor shaft	128	Long		-	-	-	1
18	PWQ.D025.H	Hollow shaft ⁽⁷⁾	45			1 ⁽⁷⁾	-	-	-
	PWQ0008	Hollow shaft ⁽⁷⁾	64			-	1 ⁽⁷⁾	-	-
	PWQ0009	Hollow shaft ⁽⁷⁾	90			-	-	1 ⁽⁷⁾	-
	PWQ0010	Hollow shaft ⁽⁷⁾	128			-	-	-	1 ⁽⁷⁾
19	PWQ.D025	Motor shaft	45	Short		1	-	-	-
	PWQ0005	Motor shaft	64	Short		-	1	-	-
	PWQ0006	Motor shaft	90	Short		-	-	1	-
	PWQ0007	Motor shaft	128	Short		-	-	-	1

⁽⁷⁾ for hydraulic motor

Fitting key

Pos. 20-22

Pos.	Part number	Description	Dimensions	Note	Qty.	45	64	90	128
20	NPF.020	Fitting key	A 8 x 7 x 50	For motor-shaft long		1	1	1	1
21	NPF.010	Fitting key	B 14 x 9 x 28			2	2	2	2
22	NPF.050	Fitting key	B 14 x 9 x 20	DIN 6885		2	-	-	-
	NPF.022	Fitting key	B 14 x 9 x 35	DIN 6885		-	2	-	-
	NPF.051	Fitting key	B 14 x 9 x 63	DIN 6885		-	-	2	-
	NPF.013	Fitting key	B 14 x 9 x 100	DIN 6885		-	-	-	2

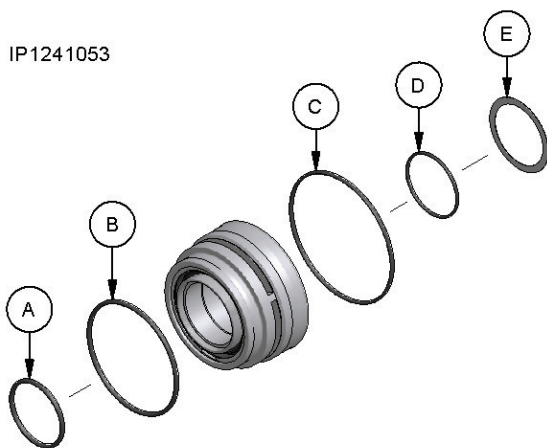
Cartridge mechanical seal

Pos. 23

Pos.	Part number	Description	Dimensions	Note	Qty.	45	64	90	128
23	PBT0104	Cartridge mechanical seal block ring single-mechanical seal		WC/SiC; HNBR, HNBR		2			
	PBT0105			WC/SiC; FPM, HNBR					
	PBT0369			WC/SiC; EPDM, HNBR					
	PBT0593			WC/SiC; FPM, FPM					
	PBT0615			WC/SiC; FFPM, HNBR					
	PBT0168	Cartridge mechanical seal block ring double-mechanical seal		WC/Coal; HNBR, HNBR					
	PBT0354			WC/Coal; EPDM, HNBR					
	PBT0304			WC/SiC; HNBR					
	PBT0443			WC/SiC; FPM					
	PBT0585			WC/SiC; FFPM					
	PBT0527			WC/SiC; HNBR (distance ring: 1.4571)					
	PBT0611			WC/SiC; FPM (NBR)					
	PBT0630 ⁽⁹⁾			WC/SiC; HNBR with flush bore hole ⁽⁹⁾					

⁽⁹⁾ for Cartridge with flushing connector

"Loose parts" for Cartridge mechanical seal



Pos.	Part number	Description	Dimensions	Notes	Qty.
A ⁽¹⁰⁾	DOR.072	O-ring	45 x 3	NBR	2
	DOR.072.VI	O-ring	45 x 3	FPM	
B	DOR.058	O-ring	78 x 3	NBR	2
C	DOR.082	O-ring	90 x 2.5	NBR	2
	DOR.082.EP	O-ring	90 x 2.5	EPDM	
	DOR.082.VI	O-ring	90 x 2.5	FPM	
	DOR.082.PT	O-ring	90 x 2.5	MVQ; FEP coated	
D	DOR.068	O-ring	45 x 2	NBR	2
E	NUS.033	Shim	45 x 55 x 0.3	DIN 988	2

⁽¹⁰⁾ only in "dry buffer chamber", and as an option for custom Cartridge mechanical seal

Wear plate

Pos. 24-25

Pos.	Part number	Wear plate 1.4571	Rep.	Elastomer-coated lobe		Solid material lobe	
				Cover 1.4571 (Stainless steel)	Cover 0.6025 (Grey cast iron)	Cover 1.4571 (Stainless steel)	Cover 0.6025 (Grey cast iron)
24	PFL0003	5 mm		1	1	1	1
	PFL0261	4,9 mm; tungsten carbide coated					
25	PFL0003	5 mm		1	-	-	-
	PFL0261	4,9 mm; tungsten carbide coated					
	PFL0019	5 mm		-	-	1	-
	PFL0259	4,9 mm; tungsten carbide coated					
	PFL.D004.E	9,5 mm		-	1	-	1
	PFL.D004.E.G1	9,5 mm; tungsten carbide coated					
	PFL.D004.E.G2	9,5 mm; hardened					
PFL.D004.E.G3	9,5 mm; kolsterising						

Preload

Position 27-29

Pos.	Part number	Description	Dimensions	Note	Qty.	45	64	90	128
Elastomer-coated lobe:									
26	PRS.D008.N1.E	Sealing ring	51 x 13						2
27	NTF.004	Spring washer	50 x 25,4 x 3	DIN 2093					2
28	PRS.D004.E	Pressure disc	51 x 13						2
Solid material lobe:									
26	PRS.D008.N1.E	Sealing ring	51 x 13						-
27	NTF.004	Spring washer	50 x 25,4 x 3	DIN 2093					2
28	PRS.D013.E	Pressure disc	56 x 13						2
29	NSI0070	Cylinder head bolt	M 10 x 80; A4	Elastomer-coated lobe					2
	NSI0069	Cylinder head bolt	M 10 x 70; A4	Solid material lobe					

O-ring

Pos. 30-33

Pos.	Part number	Description	Dimensions	Note	Qty.	45	64	90	128
30	DOR.057	O-ring	188 x 4	NBR					2
	DOR.057.VI	O-ring	188 x 4	FPM					
31	DOR.057	O-ring	188 x 4	NBR					1
	DOR.057.EP	O-ring	188 x 4	EPDM					
	DOR.057.VI	O-ring	188 x 4	FPM					
	DOR.057.PT	O-ring	188 x 4	MVQ, FEP coated					
Elastomer-coated lobe:									
32	DOR.072	O-ring	45 x 3	NBR					2
	DOR.072.EP	O-ring	45 x 3	EPDM					
	DOR.072.VI	O-ring	45 x 3	FPM					
	DOR.072.PT	O-ring	45 x 3	MVQ, FEP coated					
Solid material lobe:									
32	DOR.056	O-ring	50 x 3	NBR					2
	DOR.056.EP	O-ring	50 x 3	EPDM					
	DOR.056.VI	O-ring	50 x 3	FPM					
	DOR.056.PT	O-ring	50 x 3	MVQ, FEP coated					
33	DOR.055	O-ring	16 x 2	NBR					2
	DOR.055.EP	O-ring	16 x 2	EPDM					
	DOR.055.VI	O-ring	16 x 2	FPM					
	DOR.055.PT	O-ring	16 x 2	MVQ, FEP coated					

Gasket for pump housing segment

Position 34

Pos.	Part number	Description	Dimensions	Note	Qty.	45	64	90	128
34	DAD.D003	Gasket, pump housing segment					4		

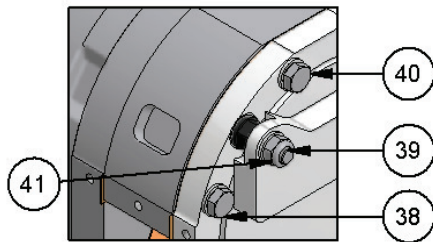
Bolts and accessories

Positions 35-41

Pos.	Part number	Description	Dimensions	Note	Qty.	45	64	90	128
------	-------------	-------------	------------	------	------	----	----	----	-----

Pump housing segment made of steel / stainless steel

35	NUS.003	Washer	A 8,4 x 16 x 1,6			22	22	22	22
36	NSI.005	Cylinder head bolt	M 8 x 30	DIN 912		6	6	6	6
37	NSI0050	Cylinder head bolt	M 8 x 80	DIN 912		4	4	4	4
38	NSK.049	Hexagon head bolt	M 8 x 100	DIN 931		4	-	-	-
	NSK.063	Hexagon head bolt	M 8 x 120	DIN 931		-	4	-	-
	NSK.190	Hexagon head bolt	M 8 x 150	DIN 931		-	-	4	-
	NSK.191	Hexagon head bolt	M 8 x 190	DIN 931		-	-	-	4
39	NGS.017	Threaded rod	M 8 x 120	DIN 976		4	-	-	-
	NGS0023	Threaded rod	M 8 x 130	DIN 976		-	4	-	-
	NGS.087	Threaded rod	M 8 x 120	DIN 976		-	-	4	-
	NGS.092	Threaded rod	M 8 x 140	DIN 976		-	-	-	4
40	NSK.062	Hexagon head bolt	M 8 x 80	DIN 931		4	-	-	-
	NSK.049	Hexagon head bolt	M 8 x 100	DIN 931		-	4	-	-
	NSK.140	Hexagon head bolt	M 8 x 130	DIN 931		-	-	4	-
	NSK0010	Hexagon head bolt	M 8 x 170	DIN 931		-	-	-	4
41	NMK.004	Hexagon nut	M 8	DIN 985-3		4	4	4	4



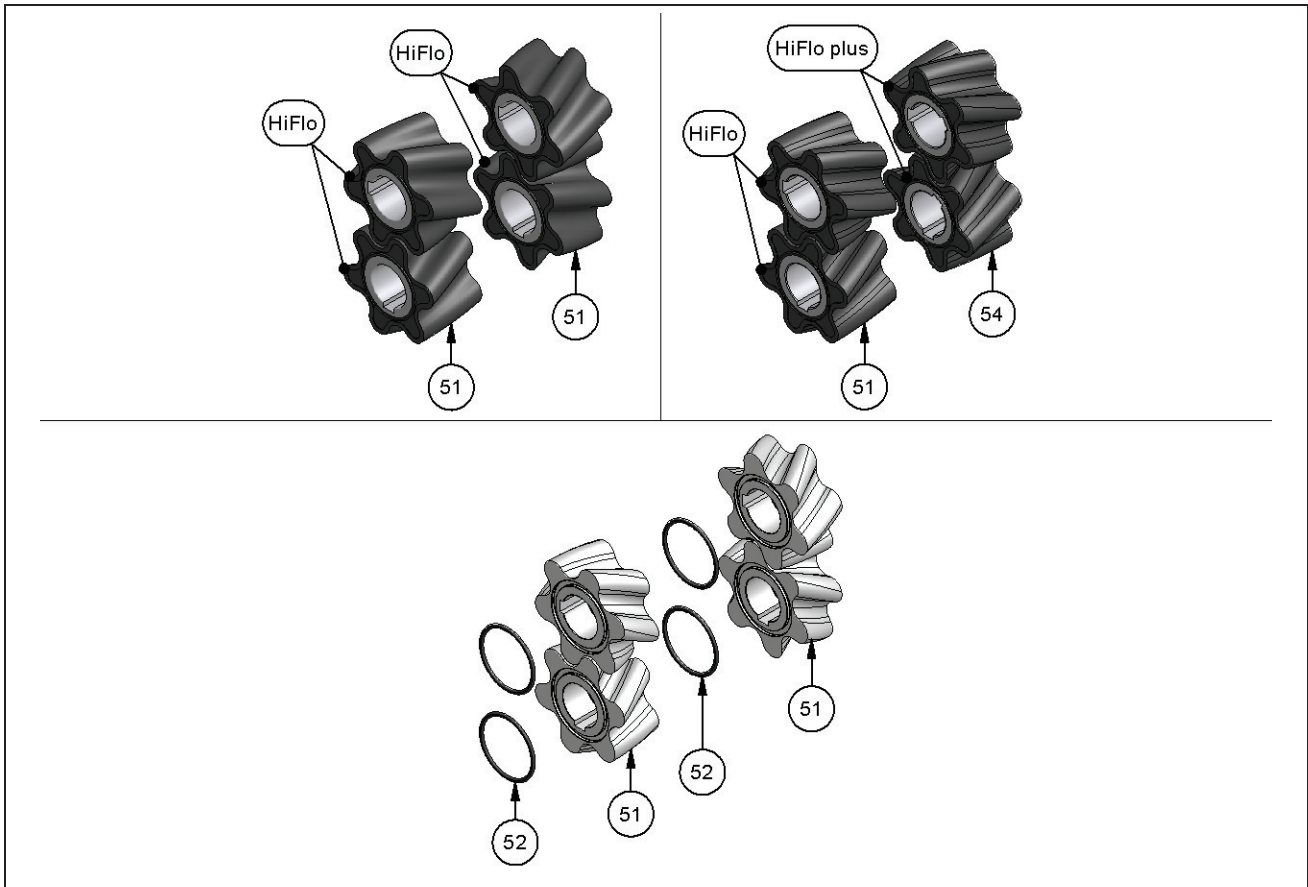
Bolts and accessories

Position 42-45

Pos.	Part number	Description	Dimensions	Note	Qty.	45	64	90	128
42	PRS.D006	Distance nut	M 8					4	
43	NSP.021	Spring pin	11 x 18	DIN 7346				18	
44	NSK0006	Hexagon head bolt	M 8 x 16	DIN 933				2	
48	NSK.088	Screw plug	M 16 x 1.5	DIN 910; magnetic				2	
49	NSK.081	Screw plug	M 16 x 1.5	DIN 910				5 / 6 ⁽⁹⁾	
50	DKR.005	Copper ring	A 16 x 22 x 1.5	DIN 7603				7 / 8 ⁽⁹⁾	

⁽⁹⁾ for Cartridge with flushing connector

Rotary lobes
Position 51-54



HiFlo

HiFlo SBR

Pos.	Part number	Description	Dimensions	Note	Qty.	45	64	90	128
51	PKD.D101.TL	Rotary lobe	45; 6K15-L HiFlo	SBR		1	-	2 (1)	-
	PKD.D101.TR	Rotary lobe	45; 6K15-R HiFlo	SBR		1	-	2 (1)	-
	PKD.D111.TL	Rotary lobe	64; 6K15-L HiFlo	SBR		-	1	-	2 (1)
	PKD.D111.TR	Rotary lobe	64; 6K15-R HiFlo	SBR		-	1	-	2 (1)
54		Rotary lobe	45; 6K15-L HiFloplus	SBR		-	-	(1)	-
		Rotary lobe	45; 6K15-R HiFloplus	SBR		-	-	(1)	-
		Rotary lobe	64; 6K15-L HiFloplus	SBR		-	-	-	(1)
		Rotary lobe	64; 6K15-R HiFloplus	SBR		-	-	-	(1)

() quantity for HiFlo plus

HiFlo NBR

Pos.	Part number	Description	Dimensions	Note	Qty.	45	64	90	128
51	PKD.D102.TL	Rotary lobe	45; 6K15-L HiFlo	NBR		1	-	2 (1)	-
	PKD.D102.TR	Rotary lobe	45; 6K15-R HiFlo	NBR		1	-	2 (1)	-
	PKD.D112.TL	Rotary lobe	64; 6K15-L HiFlo	NBR		-	1	-	2 (1)
	PKD.D112.TR	Rotary lobe	64; 6K15-R HiFlo	NBR		-	1	-	2 (1)
54	PKD0023	Rotary lobe	45; 6K15-L HiFloplus	NBR		-	-	(1)	-
	PKD0024	Rotary lobe	45; 6K15-R HiFloplus	NBR		-	-	(1)	-
	PKD0025	Rotary lobe	64; 6K15-L HiFloplus	NBR		-	-	-	(1)
	PKD0026	Rotary lobe	64; 6K15-R HiFloplus	NBR		-	-	-	(1)
51	PKD.D103.TL	Rotary lobe	45; 6K15-L HiFlo	NBR white		1	-	2 (1)	-
	PKD.D103.TR	Rotary lobe	45; 6K15-R HiFlo	NBR white		1	-	2 (1)	-
	PKD.D113.TL	Rotary lobe	64; 6K15-L HiFlo	NBR white		-	1	-	2 (1)
	PKD.D113.TR	Rotary lobe	64; 6K15-R HiFlo	NBR white		-	1	-	2 (1)
54		Rotary lobe	45; 6K15-L HiFloplus	NBR white		-	-	(1)	-
		Rotary lobe	45; 6K15-R HiFloplus	NBR white		-	-	(1)	-
		Rotary lobe	64; 6K15-L HiFloplus	NBR white		-	-	-	(1)
		Rotary lobe	64; 6K15-R HiFloplus	NBR white		-	-	-	(1)

HiFlo EPDM

Pos.	Part number	Description	Dimensions	Note	Qty.	45	64	90	128
51	PKD.D110.TL	Rotary lobe	45; 6K15-L HiFlo	EPDM-SL		1	-	2 (1)	-
	PKD.D110.TR	Rotary lobe	45; 6K15-R HiFlo	EPDM-SL		1	-	2 (1)	-
	PKD.D120.TL	Rotary lobe	64; 6K15-L HiFlo	EPDM-SL		-	1	-	2 (1)
	PKD.D120.TR	Rotary lobe	64; 6K15-R HiFlo	EPDM-SL		-	1	-	2 (1)
54		Rotary lobe	45; 6K15-L HiFloplus	EPDM-SL		-	-	(1)	-
		Rotary lobe	45; 6K15-R HiFloplus	EPDM-SL		-	-	(1)	-
	PKD0062	Rotary lobe	64; 6K15-L HiFloplus	EPDM-SL		-	-	-	(1)
	PKD0063	Rotary lobe	64; 6K15-R HiFloplus	EPDM-SL		-	-	-	(1)
51	PKD.D106.TL	Rotary lobe	45; 6K15-L HiFlo	EPDM white		1	-	2 (1)	-
	PKD.D106.TR	Rotary lobe	45; 6K15-R HiFlo	EPDM white		1	-	2 (1)	-
	PKD.D116.TL	Rotary lobe	64; 6K15-L HiFlo	EPDM white		-	1	-	2 (1)
	PKD.D116.TR	Rotary lobe	64; 6K15-R HiFlo	EPDM white		-	1	-	2 (1)
54		Rotary lobe	45; 6K15-L HiFloplus	EPDM white		-	-	(1)	-
		Rotary lobe	45; 6K15-R HiFloplus	EPDM white		-	-	(1)	-
		Rotary lobe	64; 6K15-L HiFloplus	EPDM white		-	-	-	(1)
		Rotary lobe	64; 6K15-R HiFloplus	EPDM white		-	-	-	(1)

() quantity for HiFlo plus

HiFlo FPM

Pos.	Part number	Description	Dimensions	Note	Qty.	45	64	90	128
51	PKD.D105.TL	Rotary lobe	45; 6K15-L HiFlo	FPM ⁽¹⁾		1	-	2 (1)	-
	PKD.D105.TR	Rotary lobe	45; 6K15-R HiFlo	FPM ⁽¹⁾		1	-	2 (1)	-
	PKD.D115.TL	Rotary lobe	64; 6K15-L HiFlo	FPM ⁽¹⁾		-	1	-	2 (1)
	PKD.D115.TR	Rotary lobe	64; 6K15-R HiFlo	FPM ⁽¹⁾		-	1	-	2 (1)
54		Rotary lobe	45; 6K15-L HiFloplus	FPM ⁽¹⁾		-	-	(1)	-
		Rotary lobe	45; 6K15-R HiFloplus	FPM ⁽¹⁾		-	-	(1)	-
		Rotary lobe	64; 6K15-L HiFloplus	FPM ⁽¹⁾		-	-	-	(1)
		Rotary lobe	64; 6K15-R HiFloplus	FPM ⁽¹⁾		-	-	-	(1)

⁽¹⁾ max. 6 bar [87 psi], please pay attention to the admissible pressure of pump!

HiFlo WEROBUST

Pos.	Part number	Description	Dimensions	Note	Qty.	45	64	90	128
51	PKD.D108.TL	Rotary lobe	45; 6K15-L HiFlo	WEROBUST ⁽²⁾		1	-	2 (1)	-
	PKD.D108.TR	Rotary lobe	45; 6K15-R HiFlo	WEROBUST ⁽²⁾		1	-	2 (1)	-
	PKD.D118.TL	Rotary lobe	64; 6K15-L HiFlo	WEROBUST ⁽²⁾		-	1	-	2 (1)
	PKD.D118.TR	Rotary lobe	64; 6K15-R HiFlo	WEROBUST ⁽²⁾		-	1	-	2 (1)
54		Rotary lobe	45; 6K15-L HiFloplus	WEROBUST ⁽²⁾		-	-	(1)	-
		Rotary lobe	45; 6K15-R HiFloplus	WEROBUST ⁽²⁾		-	-	(1)	-
		Rotary lobe	64; 6K15-L HiFloplus	WEROBUST ⁽²⁾		-	-	-	(1)
		Rotary lobe	64; 6K15-R HiFloplus	WEROBUST ⁽²⁾		-	-	-	(1)

⁽²⁾ Attention! Usable up to 50°C medium temperature, only!

HiFlo CSM Hypalon

Pos.	Part number	Description	Dimensions	Note	Qty.	45	64	90	128
51	PKD.D107.TL	Rotary lobe	45; 6K15-L HiFlo	CSM Hypalon		1	-	2 (1)	-
	PKD.D107.TR	Rotary lobe	45; 6K15-R HiFlo	CSM Hypalon		1	-	2 (1)	-
	PKD.D117.TL	Rotary lobe	64; 6K15-L HiFlo	CSM Hypalon		-	1	-	2 (1)
	PKD.D117.TR	Rotary lobe	64; 6K15-R HiFlo	CSM Hypalon		-	1	-	2 (1)
54		Rotary lobe	45; 6K15-L HiFloplus	CSM Hypalon		-	-	(1)	-
		Rotary lobe	45; 6K15-R HiFloplus	CSM Hypalon		-	-	(1)	-
		Rotary lobe	64; 6K15-L HiFloplus	CSM Hypalon		-	-	-	(1)
		Rotary lobe	64; 6K15-R HiFloplus	CSM Hypalon		-	-	-	(1)

() quantity for HiFlo plus

Rotary lobes; bi-lobe

Pos.	Part number	Description	Dimensions	Note	Qty.	45	64	90	128
51	PKD.D001	Rotary lobe, bi-lobe	45	SBR		2	-	4	-
	PKD.D011	Rotary lobe, bi-lobe	64	SBR		-	2	-	4
	PKD.D002	Rotary lobe, bi-lobe	45	NBR		2	-	-	-
	PKD.D012	Rotary lobe, bi-lobe	64	NBR		-	2	-	-
	PKD.D022	Rotary lobe, bi-lobe	90	NBR		-	-	2	-
	PKD.D032	Rotary lobe, bi-lobe	128	NBR		-	-	-	2
	PKD.D002.F	Rotary lobe, bi-lobe	45	NBR with large rubber line		2	-	4	-
	PKD.D012.F	Rotary lobe, bi-lobe	64	NBR with large rubber line		-	2	-	4
	PKD.D002.W	Rotary lobe, bi-lobe	45	NBR white		2	-	4	-
	PKD.D012.W	Rotary lobe, bi-lobe	64	NBR white		-	2	-	4
	PKD.D003.SL	Rotary lobe, bi-lobe	45	EPDM-SL		2	-	4	-
	PKD.D013.SL	Rotary lobe, bi-lobe	64	EPDM-SL		-	2	-	4
	PKD.D003.W	Rotary lobe, bi-lobe	45	EPDM white		2	-	4	-
	PKD.D013.W	Rotary lobe, bi-lobe	64	EPDM white		-	2	-	4
	PKD.D004	Rotary lobe, bi-lobe	45	FPM ⁽¹⁾		2	-	-	-
	PKD.D014	Rotary lobe, bi-lobe	64	FPM ⁽¹⁾		-	2	-	4
	PKD.D024	Rotary lobe, bi-lobe	90	FPM ⁽¹⁾		-	-	2	-
	PKD.D006	Rotary lobe, bi-lobe	45	WEROBUST ⁽²⁾		2	-	4	-
PKD.D015	Rotary lobe, bi-lobe	64	WEROBUST ⁽²⁾		-	2	-	4	

⁽¹⁾ max. 6 bar [87 psi], please pay attention to the admissible pressure of pump!

⁽²⁾ Attention! Usable up to 50°C medium temperature, only!

Solid material lobe

Pos.	Part number	Description	Dimensions	Note	Qty.	45	64	90	128
------	-------------	-------------	------------	------	------	----	----	----	-----

HiFlo

51	PKD.D109.TL.E	Rotary lobe ⁽³⁾	45; 6K15-L	1.4571		1	-	2	-
	PKD.D109.TR.E	Rotary lobe ⁽³⁾	45; 6K15-R	1.4571		1	-	2	-
	PKD.D119.TL.E	Rotary lobe ⁽³⁾	64; 6K15-L	1.4571		-	1	-	2
	PKD.D119.TR.E	Rotary lobe ⁽³⁾	64; 6K15-R	1.4571		-	1	-	2

Rotary lobe; bi-lobe

51	PKD.D007.E	Rotary lobe; bi-lobe ⁽³⁾	45	1.4571		2	-	4	-
	PKD.D008.E	Rotary lobe; bi-lobe ⁽³⁾	64	1.4571		-	2	-	4

O-ring for solid material lobe

52	DOR.043	O-ring ⁽⁵⁾	64 x 4	NBR		2	2	4	4
	DOR.043.EP	O-ring ⁽⁵⁾	64 x 4	EPDM					
	DOR.043.VI	O-ring ⁽⁵⁾	64 x 4	FPM					
	DOR.043.PT	O-ring ⁽⁵⁾	64 x 4	MVQ, FEP coated					

⁽³⁾ + O-ring for solid material lobe

⁽⁵⁾ for solid material lobe

Accessories

Pos. 55 – 69 + 83

Pos.	Part number	Description	Dimensions	Note	Qty.	45	64	90	128
55	NSR.045	Retaining ring	47 x 1.75	DIN 472				2	
	NSR0001 ⁽⁷⁾	Retaining ring	55 x 2	DIN 472					

⁽⁷⁾ for hydraulic motor

Variant E - cover 1.4571 (stainless steel):

57	NMH.001.EE	Cap nut	M 8					2	
58	NUS0029	Screw locking	M 8					2	
59	NUS0030	Toothed disc ring	M 8					2	
60	NSI.039	Cylinder head bolt	M 8 x 30	ISO 4962				2	

Variant G - cover 0.6025 (grey cast iron):

57	-	-						-	
58	NUS.106	Screw locking	M 6					2	
59	NUS.107	Toothed disc ring	M 6					2	
60	NSK.156	Hexagon head bolt	M 6 x 20	>Please, glue the screws to the wear plate<				2	

Pos.	Part number	Description	Dimensions	Note	Qty.	45	64	90	128
69	NST.030	Plug		Silicone				2	
83	NMK.011	Lifting eye bolt	M 8	DIN 580				1	

Buffer chamber enlargement

Position 74

Pos.	Part number	Description	Dimensions	Note	Qty.	45	64	90	128
74	PSG.014	Buffer fluid tank		Pressurized				1	
	PSG.014.T1	Quenching fluid tank		Ventilated (Option)					
	PSV.002.N1	Pressure valve		(Option)					

Screw plug + copper ring

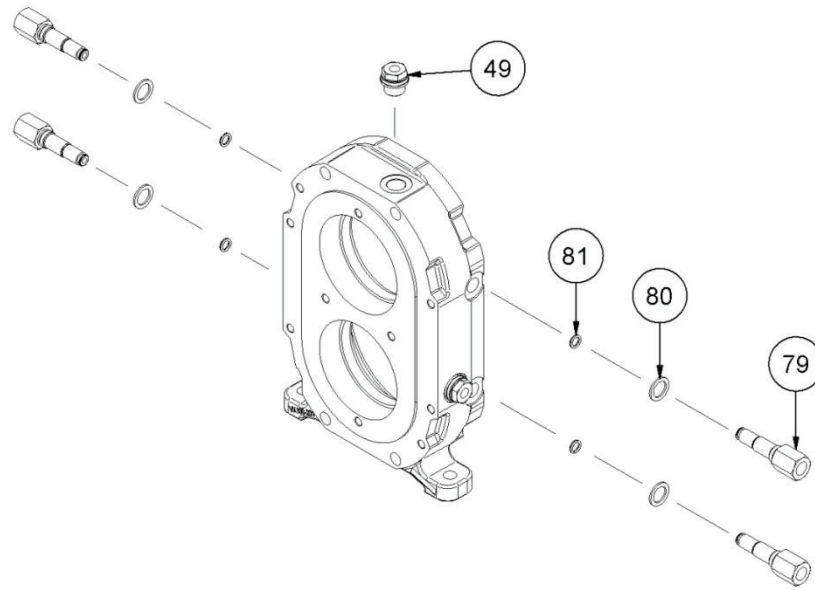
Position 79-80

Pos.	Part number	Description	Dimensions	Note	Qty.	45	64	90	128
79	NSK.104	Screw plug	M 14 x 1,5	DIN 910				4	
80	DKR.006	Copper ring	A 14 x 20 x 1.5	DIN 7603				4	

Option

Flushing connector cartridge

Position 79-81



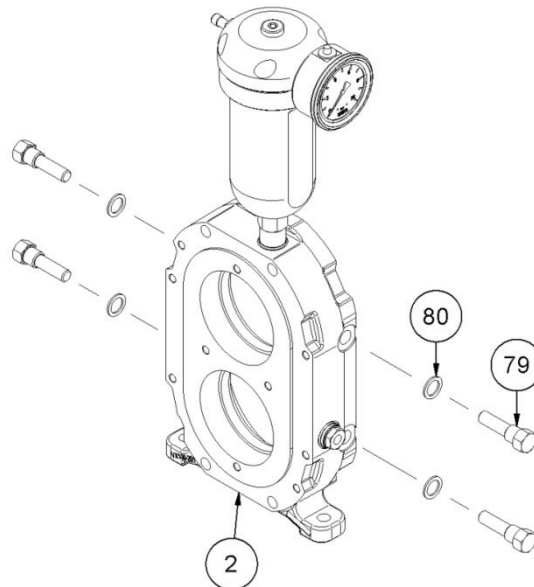
Pos.	Part number	Description	Dimensions	Note	Qty.	45	64	90	128
79	PRS0361	Flushing connector						4	
80	DKR.006	Copper ring	A 14 x 20 x 1.5	DIN 7603				4	
81	DOR.089	O-ring	8 x 2	NBR				4	
	DOR0141	O-ring	8 x 2	FPM					

For cartridge with flushing connector, the buffer chamber enlargement pos. 74 is eliminated!

Option



Locking device Cartridge

Position 79-80



Pos.	Part number	Description	Dimensions	Note	Qty.	45	64	90	128
79	PRS1199	Locking screw	M 14 x 1,5	1.4571				4	
80	DKR.006	Copper ring	A 14 x 20 x 1,5	DIN 7603				4	

Tools

Pos.	Part number	Description	Dimensions	Note	Qty.	45	64	90	128
	PBA.D001.TK.N1	Lobe puller		Short		x	x		
	PBA.D001.TL.N1	Lobe puller		Long				x	x
	WKZ0455	Assembly tool		Cartridge mechanical seal				x	
	PBA0001	Assembly tool		Included in WKZ0455				(1)	
	NSI.155	Cylinder head bolt	M 5 x 12					(2)	
	NSK.155	Hexagon head bolt	M 8 x 80					(3)	
	WKZ0104	Tool box		VX100Q					

Material for connectors

Pos.	Part number	Description	Dimensions	Note	Qty.	45	64	90	128
	NGS.033	Stud	M6 x 16	DIN 939		20	20	24	24
	NMS.001	Hexagon nut	M6	DIN 934-8		20	20	24	24
	NUS.002	Washer	B 6. x 12 x 1.6	DIN 125		20	20	24	24
	PFL.350	Flange	45			2	-	-	-
	PFL.351	Flange	64			-	2	-	-
	PFL.352	Flange	90			-	-	2	-
	PFL.353	Flange	128			-	-	-	2
	DFD.350.P	Flange gasket	45			2	-	-	-
	DFD.351.P	Flange gasket	64			-	2	-	-
	DFD.352.P	Flange gasket	90			-	-	2	-
	DFD.353.P	Flange gasket	128			-	-	-	2

Required spare parts for rotary lobe change

Pos.	Part number	Description	Dimensions	Note	Qty.	45	64	90	128
22	NPF.050	Fitting key	B 14 x 9 x 20	DIN 6885		2	-	-	-
	NPF.022	Fitting key	B 14 x 9 x 35	DIN 6885		-	2	-	-
	NPF.051	Fitting key	B 14 x 9 x 63	DIN 6885		-	-	2	-
	NPF.013	Fitting key	B 14 x 9 x 100	DIN 6885		-	-	-	2
29	NSI0070	Cylinder head bolt	M 10 x 80; A4	Elastomer-coated lobe		2			
	NSI0069	Cylinder head bolt	M 10 x 70; A4	Solid material lobe					
31	DOR.057	O-ring	188 x 4	NBR		1			
	DOR.057.EP	O-ring	188 x 4	EPDM					
	DOR.057.VI	O-ring	188 x 4	FPM					
	DOR.057.PT	O-ring	188 x 4	MVQ, FEP coated					
Elastomer-coated lobe:									
32	DOR.072	O-ring	45 x 3	NBR		2			
	DOR.072.EP	O-ring	45 x 3	EPDM					
	DOR.072.VI	O-ring	45 x 3	FPM					
	DOR.072.PT	O-ring	45 x 3	MVQ, FEP coated					
Solid material lobe:									
32	DOR.056	O-ring	50 x 3	NBR		2			
	DOR.056.EP	O-ring	50 x 3	EPDM					
	DOR.056.VI	O-ring	50 x 3	FPM					
	DOR.056.PT	O-ring	50 x 3	MVQ, FEP coated					
33	DOR.055	O-ring	16 x 2	NBR		2			
	DOR.055.EP	O-ring	16 x 2	EPDM					
	DOR.055.VI	O-ring	16 x 2	FPM					
	DOR.055.PT	O-ring	16 x 2	MVQ, FEP coated					
51-54		Rotary lobe		See page 8 ff					
69	NST.030	Plug		Silicone		2			

Required spare parts for mechanical seal change

Pos.	Part number	Description	Dimensions	Note	Qty.	45	64	90	128
29	NSI0070	Cylinder head bolt	M 10 x 80; A4	Elastomer-coated lobe					
	NSI0069	Cylinder head bolt	M 10 x 70; A4	Solid material lobe				2	
31	DOR.057	O-ring	188 x 4	NBR					
	DOR.057.EP	O-ring	188 x 4	EPDM					
	DOR.057.VI	O-ring	188 x 4	FPM					
	DOR.057.PT	O-ring	188 x 4	MVQ, FEP coated					

Elastomer-coated lobe:

32	DOR.072	O-ring	45 x 3	NBR					
	DOR.072.EP	O-ring	45 x 3	EPDM					
	DOR.072.VI	O-ring	45 x 3	FPM					
	DOR.072.PT	O-ring	45 x 3	MVQ, FEP coated					

Solid material lobe:

32	DOR.056	O-ring	50 x 3	NBR					
	DOR.056.EP	O-ring	50 x 3	EPDM					
	DOR.056.VI	O-ring	50 x 3	FPM					
	DOR.056.PT	O-ring	50 x 3	MVQ, FEP coated					
33	DOR.055	O-ring	16 x 2	NBR					
	DOR.055.EP	O-ring	16 x 2	EPDM					
	DOR.055.VI	O-ring	16 x 2	FPM					
	DOR.055.PT	O-ring	16 x 2	MVQ, FEP coated					
69	NST.030	Plug		Silicone				2	

1.4571

23	PBT0104	Cartridge mechanical seal block ring single-mechanical seal		WC/SiC; HNBR, HNBR					
	PBT0105			WC/SiC; FPM, HNBR					
	PBT0369			WC/SiC; EPDM, HNBR					
	PBT0593			WC/SiC; FPM, FPM					
	PBT0615			WC/SiC; FFPM, HNBR					
	PBT0168			WC/Coal; HNBR, HNBR					
	PBT0354		WC/Coal; EPDM, HNBR						
	PBT0304	Cartridge mechanical seal block ring double-mechanical seal		WC/SiC; HNBR					
	PBT0443			WC/SiC; FPM					
	PBT0585			WC/SiC; FFPM					
	PBT0527			WC/SiC; HNBR (distance ring: 1.4571)					
	PBT0611			WC/SiC; FPM (NBR)					
	PBT0630 ⁽⁹⁾			WC/SiC; HNBR with flush bore hole ⁽⁹⁾					

⁽⁹⁾ for Cartridge with flushing connector

For Cartridge with flushing connector:

81	DOR.089	O-ring	8 x 2	NBR					
	DOR0141	O-ring	8 x 2	FPM					

Required spare parts for wear part replacement

Pos.	Part number	Description	Dimensions	Note	Qty.	45	64	90	128
22	NPF.050	Fitting key	B 14 x 9 x 20	DIN 6885		2	-	-	-
	NPF.022	Fitting key	B 14 x 9 x 35	DIN 6885		-	2	-	-
	NPF.051	Fitting key	B 14 x 9 x 63	DIN 6885		-	-	2	-
	NPF.013	Fitting key	B 14 x 9 x 100	DIN 6885		-	-	-	2
29	NSI0070	Cylinder head bolt	M 10 x 80; A4	Elastomer-coated lobe		2			
	NSI0069	Cylinder head bolt	M 10 x 70; A4	Solid material lobe					
31	DOR.057	O-ring	188 x 4	NBR		1			
	DOR.057.EP	O-ring	188 x 4	EPDM					
	DOR.057.VI	O-ring	188 x 4	FPM					
	DOR.057.PT	O-ring	188 x 4	MVQ, FEP coated					
Elastomer-coated lobe:									
32	DOR.072	O-ring	45 x 3	NBR		2			
	DOR.072.EP	O-ring	45 x 3	EPDM					
	DOR.072.VI	O-ring	45 x 3	FPM					
	DOR.072.PT	O-ring	45 x 3	MVQ, FEP coated					
Solid material lobe:									
32	DOR.056	O-ring	50 x 3	NBR		2			
	DOR.056.EP	O-ring	50 x 3	EPDM					
	DOR.056.VI	O-ring	50 x 3	FPM					
	DOR.056.PT	O-ring	50 x 3	MVQ, FEP coated					
33	DOR.055	O-ring	16 x 2	NBR		2			
	DOR.055.EP	O-ring	16 x 2	EPDM					
	DOR.055.VI	O-ring	16 x 2	FPM					
	DOR.055.PT	O-ring	16 x 2	MVQ, FEP coated					
34	DAD.D003	Gasket, pump housing segment				4			
44	NSK0006	Hexagon head bolt	M 8 x 16	DIN 933		2			
51-54		Rotary lobe		See page 8 ff					
69	NST.030	Plug		Silicone		2			

1.4571

23	PBT0104	Cartridge mechanical seal block ring single-mechanical seal		WC/SiC; HNBR, HNBR		2			
	PBT0105			WC/SiC; FPM, HNBR					
	PBT0369			WC/SiC; EPDM, HNBR					
	PBT0593			WC/SiC; FPM, FPM					
	PBT0615			WC/SiC; FFPM, HNBR					
	PBT0168			WC/Coal; HNBR, HNBR					
	PBT0354	Cartridge mechanical seal block ring double-mechanical seal		WC/Coal; EPDM, HNBR					
	PBT0304			WC/SiC; HNBR					
	PBT0443			WC/SiC; FPM					
	PBT0585			WC/SiC; FFPM					
	PBT0527			WC/SiC; HNBR (distance ring: 1.4571)					
	PBT0611			WC/SiC; FPM (NBR)					
	PBT0630 ⁽⁹⁾			WC/SiC; HNBR with flush bore hole ⁽⁹⁾					

⁽⁹⁾ for Cartridge with flushing connector

For Cartridge with flushing connector:

81	DOR.089	O-ring	8 x 2	NBR		4			
	DOR0141	O-ring	8 x 2	FPM					

Continuation see next page

Pos.	Part number	Description	Dimensions	Note	Qty.	45	64	90	128
Variant E - cover 1.4571 (stainless steel):									
57	NMH.001.EE	Cap nut	M 8					2	
58	NUS0029	Screw locking	M 8					2	
59	NUS0030	Toothed disc ring	M 8					2	
60	NSI.039	Cylinder head bolt	M 8 x 30	ISO 4962				2	

Variant G - cover 0.6025 (grey cast iron):									
57	-	-						-	
58	NUS.106	Screw locking	M 6					2	
59	NUS.107	Toothed disc ring	M 6					2	
60	NSK.156	Hexagon head bolt	M 6 x 20	>Please, glue the screws to the wear plate<				2	

				Elastomer-coated lobe		Solid material lobe	
Pos.	Part number	Wear plate 1.4571	Rep.	Cover 1.4571 (Stainless steel)	Cover 0.6025 (Grey cast iron)	Cover 1.4571 (Stainless steel)	Cover 0.6025 (Grey cast iron)
24	PFL0003	5 mm		1	1	1	1
	PFL0261	4,9 mm; tungsten carbide coated					
25	PFL0003	5 mm		1	-	-	-
	PFL0261	4,9 mm; tungsten carbide coated					
	PFL0019	5 mm		-	-	1	-
	PFL0259	4,9 mm; tungsten carbide coated					
	PFL.D004.E	9,5 mm		-	1	-	1
	PFL.D004.E.G1	9,5 mm; tungsten carbide coated					
	PFL.D004.E.G2	9,5 mm; hardened					
PFL.D004.E.G3	9,5 mm; kolsterising						

VOGELSANG



Hugo Vogelsang Maschinenbau GmbH

Holthöge 10-14
49632 Essen/Oldb.

Phone: +49 (0) 54 34 83 0
Fax: +49 (0) 54 34 83 10

vogelsang-gmbh.com
info@vogelsang-gmbh.com

ENGINEERED TO WORK

Australien
Vogelsang Pty. Ltd.
vogelsang.com.au

Indien
Vogelsang India Private Limited
vogelsangindia.com

Russland
Vogelsang Russland
vogelsang.ru

Brasilien
Vogelsang Brasil Ltda.
vogelsang.com.br

Irland
Vogelsang Ireland
vogelsang.ie

Schweden
Vogelsang Sverige AB
vogelsang.se

China
Vogelsang Mechanical Engineering (Shanghai) Co., Ltd.
vogelsang.com.cn

Italien
Vogelsang Italy Srl
vogelsang-srl.it

Spanien
Vogelsang S.L.
vogelsang.es

Dänemark
Vogelsang A/S
vogelsang-as.dk

Malaysia
Vogelsang Malaysia
vogelsang.info

Südkorea
Vogelsang Korea Co., Ltd.
vogelsang.co.kr

Deutschland - Niederlassung Ost
Vogelsang Lutherstadt Eisleben
vogelsang-gmbh.com

Mexico
Vogelsang De México S.de R.L. de CV
vogelsang.mx

Tschechische Republik
Vogelsang CZ s.r.o.
vogelsang-czech.cz

Finnland
Vogelsang Oy
vogelsang.fi

Polen
Vogelsang Poland Sp. z o.o.
vogelsang.pl

USA
Vogelsang USA Ltd.
vogelsangusa.com

Frankreich
Vogelsang France S.A.R.L.
vogelsang.fr

Österreich
Vogelsang Austria GmbH
vogelsang-austria.at

Großbritannien
Vogelsang Ltd.
vogelsang.co.uk

Rumänien
Vogelsang Romania SRL
vogelsang.ro