

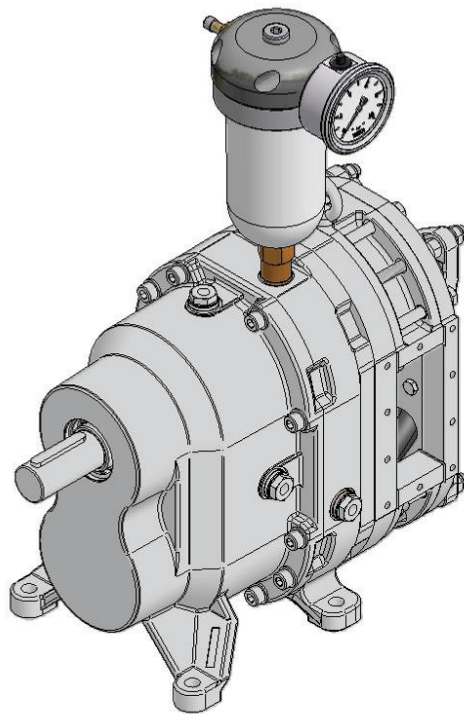


Spare Parts List

Rotary Lobe Pump

VX100Q

ENGINEERED TO WORK



Issuer

Hugo Vogelsang Maschinenbau GmbH
Holthöge 10-14
49632 Essen/Oldb.

Phone: +49 54 34 83 0
Fax: +49 54 34 83 10

vogelsang-gmbh.com
info@vogelsang-gmbh.com

In the absence of express, written authorisation from the issuer, the reproduction or partial reproduction of this document in any form is prohibited.

We reserve the right to make technical modifications to the diagrams and information presented in this document in the event that such modifications become necessary for the enhancement of the machine.

© 2014 Hugo Vogelsang Maschinenbau GmbH

Registered trademarks of Vogelsang

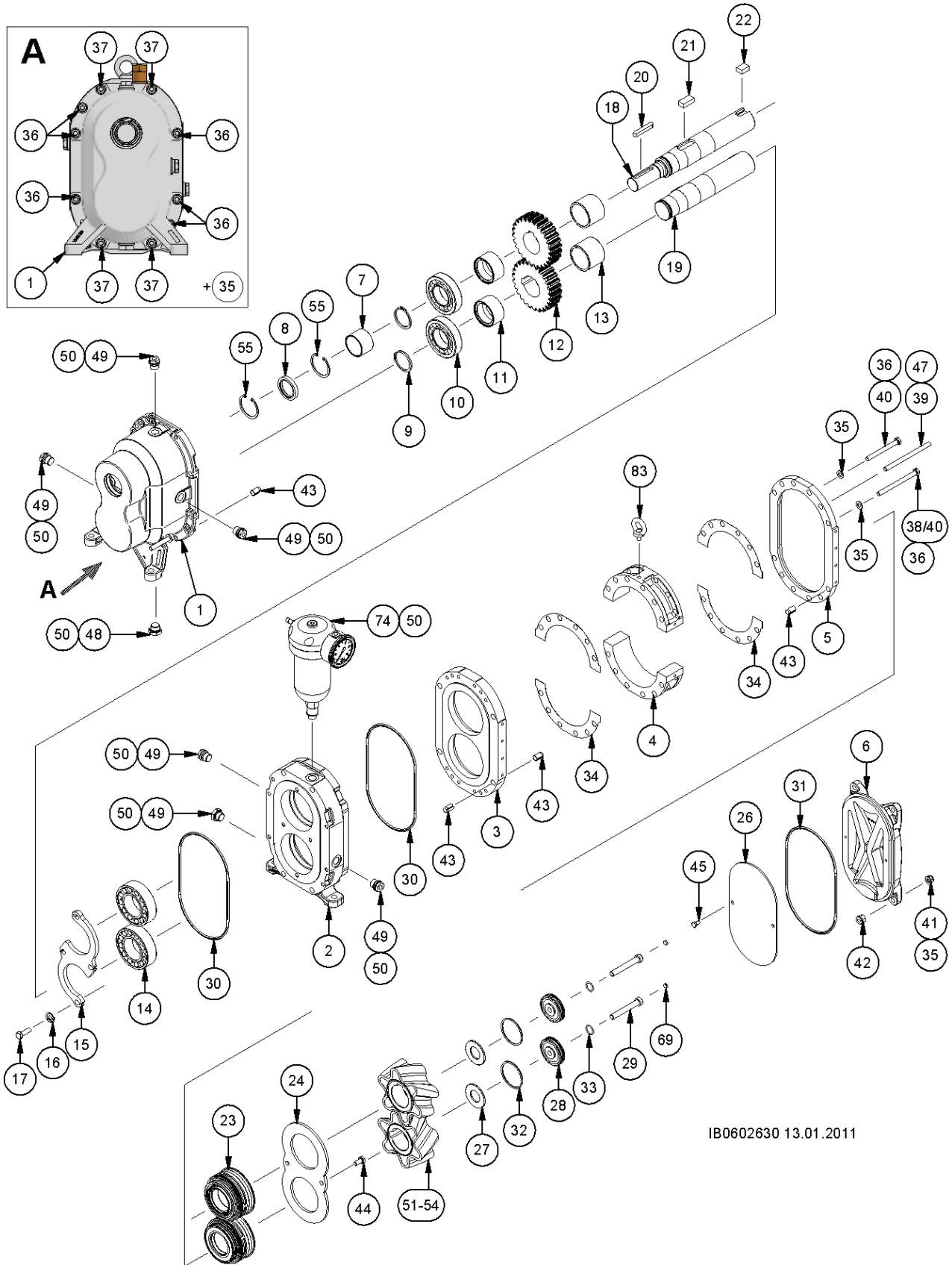
Vogelsang, Vogelsang Logo, RotaCut, HiFlo, ACC, CFC, BioCrack, XTill, EnergyJet and BioCut are registered trademarks of Hugo Vogelsang Maschinenbau GmbH.

The registered trademarks are not always designated with an ® symbol in this document.

Contents

| | |
|--|-----------|
| Exploded view | 4 |
| Housing | 5 |
| Position 1-3 | 5 |
| Pump housing segment | 5 |
| Pos. 4..... | 5 |
| Cover flange and cover plate | 5 |
| Pos. 5-6..... | 5 |
| Inner ring/ radial shaft seal ring | 6 |
| Pos. 7-8..... | 6 |
| Gear, bearing and accessories | 6 |
| Pos. 9-17..... | 6 |
| Motor shaft | 6 |
| Positions 18-19 | 6 |
| Fitting key | 6 |
| Pos. 20-22..... | 6 |
| Cartridge mechanical seal | 7 |
| Pos. 23..... | 7 |
| "Loose parts" for Cartridge mechanical seal | 8 |
| Wear plate | 9 |
| Pos. 24-26..... | 9 |
| Preload | 9 |
| Position 27-29 | 9 |
| O-ring | 9 |
| Pos. 30-33..... | 9 |
| Gasket for pump housing segment | 9 |
| Position 34 | 9 |
| Screws and accessories | 10 |
| Positions 35-41 | 10 |
| Screws and accessories | 11 |
| Pos. 42-49..... | 11 |
| Rotary lobes | 11 |
| HiFlo | 12 |
| Position 51 | 12 |
| Rotary lobes; bi-lobe | 14 |
| Position 51 | 14 |
| Solid material rotary lobes | 15 |
| HiFlo | 15 |
| Position 51 | 15 |
| Accessories | 15 |
| Pos. 55 + 69..... | 15 |
| Buffer chamber enlargement | 15 |
| Position 74 | 15 |
| Flushing connector cartridge | 16 |
| Position 79-82 | 16 |
| Lifting eye bolt | 16 |
| Position 83 | 16 |
| Tools | 16 |
| Material for connectors | 16 |
| Required spare parts for rotary lobe change | 17 |
| Required spare parts for mechanical seal change | 18 |
| Required spare parts for wear part replacement | 19 |

Exploded view



IB0602630 13.01.2011

Housing

Position 1-3

| Pos. | Part number | Description | Dimensions | Note | Qty. | 45 | 64 | 90 | 128 |
|------|------------------------|---------------------|------------|-------------------------|------|----|----|----|-----|
| 1 | PGP0001 | Gearbox housing | | Standard | | | | | |
| | PGP0002 ⁽⁷⁾ | Gearbox housing | | For hollow shaft | | 1 | 1 | 1 | 1 |
| | PGP0055 | Gearbox housing | | For coupling | | | | | |
| 2 | PGP0048 | Bearing housing | | | | 1 | 1 | 1 | 1 |
| | PGP0059 ⁽⁹⁾ | Bearing housing | | With flushing connector | | | | | |
| 3 | PGP0045 | Intermediate flange | | | | 1 | 1 | 1 | 1 |

⁽⁷⁾ for hydraulic motor

⁽⁹⁾ for Cartridge with flushing connector

Pump housing segment

Pos. 4

| Pos. | Part number | Description | Dimensions | Note | Qty. | 45 | 64 | 90 | 128 |
|------|-------------|-------------|------------|------|------|----|----|----|-----|
|------|-------------|-------------|------------|------|------|----|----|----|-----|

0.6025 (grey cast iron)

| | | | | | | | | | |
|---|-------------|----------------------|-----|-------------------------|--|---|---|---|---|
| 4 | PGP.D001 | Pump housing segment | 45 | 0.6025 | | 2 | - | - | - |
| | PGP.D002 | Pump housing segment | 64 | 0.6025 | | - | 2 | - | - |
| | PGP.D003 | Pump housing segment | 90 | 0.6025 | | - | - | 2 | - |
| | PGP.D004 | Pump housing segment | 128 | 0.6025 | | - | - | - | 2 |
| | PGP.D001.G1 | Pump housing segment | 45 | Tungsten carbide coated | | 2 | - | - | - |
| | PGP.D002.G1 | Pump housing segment | 64 | Tungsten carbide coated | | - | 2 | - | - |
| | PGP.D003.G1 | Pump housing segment | 90 | Tungsten carbide coated | | - | - | 2 | - |
| | PGP.D004.G1 | Pump housing segment | 128 | Tungsten carbide coated | | - | - | - | 2 |

1.0576 (steel model)

| | | | | | | | | | |
|---|----------|----------------------|-----|--------|--|---|---|---|---|
| 4 | PGP.D020 | Pump housing segment | 45 | 1.0576 | | 2 | - | - | - |
| | PGP.D021 | Pump housing segment | 64 | 1.0576 | | - | 2 | - | - |
| | PGP.D022 | Pump housing segment | 90 | 1.0576 | | - | - | 2 | - |
| | PGP.D023 | Pump housing segment | 128 | 1.0576 | | - | - | - | 2 |

Injection S

| | | | | | | | | | |
|---|--------------|----------------------|-----|-------------------------|--|---|---|---|---|
| 4 | PGP.D030 | Pump housing segment | 45 | | | 2 | - | - | - |
| | PGP.D031 | Pump housing segment | 64 | | | - | 2 | - | - |
| | PGP.D032 | Pump housing segment | 90 | | | - | - | 2 | - |
| | PGP.D033 | Pump housing segment | 128 | | | - | - | - | 2 |
| | PGP.D030.G1 | Pump housing segment | 45 | Tungsten carbide coated | | 2 | - | - | - |
| | PGP.D031. G1 | Pump housing segment | 64 | Tungsten carbide coated | | - | 2 | - | - |
| | PGP.D032. G1 | Pump housing segment | 90 | Tungsten carbide coated | | - | - | 2 | - |
| | PGP.D033. G1 | Pump housing segment | 128 | Tungsten carbide coated | | - | - | - | 2 |

Injection A

| | | | | | | | | | |
|---|---------|----------------------|-----|-------------------------|--|---|---|---|---|
| 4 | PGP0090 | Pump housing segment | 45 | | | 2 | - | - | - |
| | PGP0091 | Pump housing segment | 64 | | | - | 2 | - | - |
| | PGP0092 | Pump housing segment | 90 | | | - | - | 2 | - |
| | PGP0093 | Pump housing segment | 128 | | | - | - | - | 2 |
| | PGP0190 | Pump housing segment | 45 | Tungsten carbide coated | | 2 | - | - | - |
| | PGP0192 | Pump housing segment | 64 | Tungsten carbide coated | | - | 2 | - | - |
| | PGP0194 | Pump housing segment | 90 | Tungsten carbide coated | | - | - | 2 | - |
| | PGP0143 | Pump housing segment | 128 | Tungsten carbide coated | | - | - | - | 2 |

Cover flange and cover plate

Pos. 5-6

| Pos. | Part number | Description | Dimensions | Note | Qty. | 45 | 64 | 90 | 128 |
|------|-------------|--------------|------------|-----------|------|----|----|----|-----|
| 5 | PGP.D011 | Cover flange | | | | 1 | 1 | 1 | 1 |
| 6 | PGP.D012 | Cover | | | | 1 | 1 | 1 | 1 |
| | PGP.D012.AL | Cover | | Aluminium | | | | | |

Inner ring/ radial shaft seal ring

Pos. 7-8

| Pos. | Part number | Description | Dimensions | Note | Qty. | 45 | 64 | 90 | 128 |
|------|------------------------|------------------------|-----------------|------------------|------|----|----|----|-----|
| 7 | NIR.020 | Inner ring | JR 30 x 35 x17 | | | | | | |
| | NIR.027 ⁽⁷⁾ | Inner ring | JR 40 x 45 x 30 | For hollow shaft | | 1 | 1 | 1 | 1 |
| 8 | DWD.037 | Radial shaft seal ring | 35 x 47 x 7 | NBR | | | | | |
| | DWD.037.VI | Radial shaft seal ring | 35 x 47 x 7 | FPM | | 1 | 1 | 1 | 1 |
| | DWD0001 ⁽⁷⁾ | Radial shaft seal ring | 45 x 55 x 7 | For hollow shaft | | | | | |

⁽⁷⁾ for hydraulic motor

Gear, bearing and accessories

Pos. 9-17

| Pos. | Part number | Description | Dimensions | Note | Qty. | 45 | 64 | 90 | 128 |
|------|-------------|----------------------------|--------------|-----------------------|------|----|----|----|-----|
| 9 | NSR.016 | Retaining ring | 40 x 2,5 | DIN 471 | | 2 | 2 | 2 | 2 |
| 10 | NLG.031 | Cylindrical roller bearing | 40 x 80 x 18 | | | 2 | 2 | 2 | 2 |
| 11 | PRS.D003 | Spacer sleeve | 41 x 54 x 28 | Gear-floating bearing | | 2 | 2 | 2 | 2 |
| 12 | PZH.D005 | Gear | | | | 2 | 2 | 2 | 2 |
| 13 | PRS.D002 | Spacer sleeve | 45 x 53 x 40 | Gear-floating bearing | | 2 | 2 | 2 | 2 |
| 14 | NLG.032 | Bearing | 45 x 85 x 23 | | | 2 | 2 | 2 | 2 |
| 15 | PFL.D023 | Fixing sheet | | For fixed bearing | | 1 | 1 | 1 | 1 |
| 16 | NUS.116 | Lock washer | | | | 4 | 4 | 4 | 4 |
| 17 | NSK.019 | Hexagon head bolt | M8 x 25 | DIN 933 | | 4 | 4 | 4 | 4 |

Motor shaft

Positions 18-19

| Pos. | Part number | Description | Dimensions | Note | Qty. | 45 | 64 | 90 | 128 |
|------|-------------|-----------------------------|------------|-------|------|------------------|------------------|------------------|------------------|
| 18 | PWQ.D021 | Motor shaft | 45 | Long | | 1 | - | - | - |
| | PWQ0002 | Motor shaft | 64 | Long | | - | 1 | - | - |
| | PWQ0003 | Motor shaft | 90 | Long | | - | - | 1 | - |
| | PWQ0004 | Motor shaft | 128 | Long | | - | - | - | 1 |
| 18 | PWQ.D025.H | Hollow shaft ⁽⁷⁾ | 45 | | | 1 ⁽⁷⁾ | - | - | - |
| | PWQ0008 | Hollow shaft ⁽⁷⁾ | 64 | | | - | 1 ⁽⁷⁾ | - | - |
| | PWQ0009 | Hollow shaft ⁽⁷⁾ | 90 | | | - | - | 1 ⁽⁷⁾ | - |
| | PWQ0010 | Hollow shaft ⁽⁷⁾ | 128 | | | - | - | - | 1 ⁽⁷⁾ |
| 19 | PWQ.D025 | Motor shaft | 45 | Short | | 1 | - | - | - |
| | PWQ0005 | Motor shaft | 64 | Short | | - | 1 | - | - |
| | PWQ0006 | Motor shaft | 90 | Short | | - | - | 1 | - |
| | PWQ0007 | Motor shaft | 128 | Short | | - | - | - | 1 |

⁽⁷⁾ for hydraulic motor

Fitting key

Pos. 20-22

| Pos. | Part number | Description | Dimensions | Note | Qty. | 45 | 64 | 90 | 128 |
|------|-------------|-------------|----------------|----------------------|------|----|----|----|-----|
| 20 | NPF.020 | Fitting key | A 8 x 7 x 50 | For motor-shaft long | | 1 | 1 | 1 | 1 |
| 21 | NPF.010 | Fitting key | B 14 x 9 x 28 | | | 2 | 2 | 2 | 2 |
| 22 | NPF.050 | Fitting key | B 14 x 9 x 20 | DIN 6885 | | 2 | - | - | - |
| | NPF.022 | Fitting key | B 14 x 9 x 35 | DIN 6885 | | - | 2 | - | - |
| | NPF.051 | Fitting key | B 14 x 9 x 63 | DIN 6885 | | - | - | 2 | - |
| | NPF.013 | Fitting key | B 14 x 9 x 100 | DIN 6885 | | - | - | - | 2 |

Cartridge mechanical seal

Pos. 23

| Pos. | Part number | Description | Dimensions | Note | Qty. | 45 | 64 | 90 | 128 |
|------|-------------|-------------|------------|------|------|----|----|----|-----|
|------|-------------|-------------|------------|------|------|----|----|----|-----|

Steel nitrieded; single-mechanical seal:

| | | | | | | | | | |
|----|----------|---|--|--|--|---|---|---|---|
| 23 | PBT.D051 | Cartridge mechanical seal block ring | | WC/SiC; HNBR, HNBR | | 2 | 2 | 2 | 2 |
| | PBT0353 | | | WC/SiC; FPM, HNBR | | | | | |
| | PBT0351 | | | WC/SiC; FPM, FPM | | | | | |
| | PBT0341 | | | WC/SiC; FFPM, HNBR | | | | | |
| | PBT0431 | | | WC/SiC; EPDM, HNBR | | | | | |
| | PBT.D050 | | | CrO/Duronit ⁽⁴⁾ ; HNBR, HNBR | | | | | |
| | PBT0101 | | | CrO/Duronit ⁽⁴⁾ ; FPM, HNBR | | | | | |
| | PBT0506 | | | CrO/Duronit ⁽⁴⁾ ; FPM, FPM | | | | | |
| | PBT0508 | | | CrO/Duronit ⁽⁴⁾ ; FPM, HNBR | | | | | |
| | PBT0356 | | | CrO/Duronit ⁽⁴⁾ ; FFPM, HNBR | | | | | |
| | PBT0568 | | | CrO/Duronit ⁽⁴⁾ ; EPDM, HNBR | | | | | |
| | PBT0167 | | | WC/coal; HNBR, HNBR | | | | | |

Steel nitrieded; double-mechanical seal:

| | | | | | | | | | |
|----|------------|---|--|-----------------------------------|--|---|---|---|---|
| 23 | PBT.D051.D | Cartridge mechanical seal block ring | | WC/SiC; HNBR | | 2 | 2 | 2 | 2 |
| | PBT0170 | | | WC/SiC; FPM | | | | | |
| | PBT.D050.D | | | CrO/Duronit ⁽⁴⁾ ; HNBR | | | | | |
| | PBT0102 | | | CrO/Duronit ⁽⁴⁾ ; FPM | | | | | |

1.4571 single-mechanical seal:

| | | | | | | | | | |
|----|---------|---|--|---------------------|--|---|---|---|---|
| 23 | PBT0104 | Cartridge mechanical seal block ring | | WC/SiC; HNBR, HNBR | | 2 | 2 | 2 | 2 |
| | PBT0105 | | | WC/SiC; FPM, HNBR | | | | | |
| | PBT0369 | | | WC/SiC; EPDM, HNBR | | | | | |
| | PBT0593 | | | WC/SiC; FPM, FPM | | | | | |
| | PBT0615 | | | WC/SiC; FFPM, HNBR | | | | | |
| | PBT0168 | | | WC/Coal; HNBR, HNBR | | | | | |
| | PBT0354 | | | WC/Coal; EPDM, HNBR | | | | | |

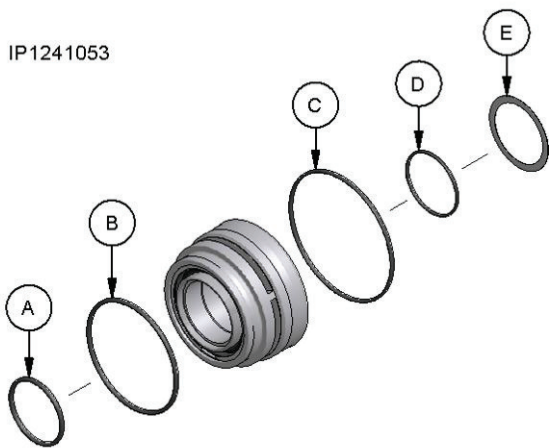
1.4571 double-mechanical seal:

| | | | | | | | | | |
|----|------------------------|---|--|---|--|---|---|---|---|
| 23 | PBT0304 | Cartridge mechanical seal block ring | | WC/SiC; HNBR | | 2 | 2 | 2 | 2 |
| | PBT0443 | | | WC/SiC; FPM | | | | | |
| | PBT0585 | | | WC/SiC; FFPM | | | | | |
| | PBT0527 | | | WC/SiC; HNBR (distance ring: 1.4571) | | | | | |
| | PBT0611 | | | WC/SiC; FPM (NBR) | | | | | |
| | PBT0630 ⁽⁹⁾ | | | WC/SiC; HNBR with flush bore hole ⁽⁹⁾ | | | | | |

⁽⁴⁾ up to 10 bar [145 psi] real operating pressure

⁽⁹⁾ for Cartridge with flushing connector

"Loose parts" for Cartridge mechanical seal



| Pos. | Part number | Description | Dimensions | Notes | Qty. |
|-------------------|-------------|-------------|---------------|-----------------|------|
| A ⁽¹⁰⁾ | DOR.072 | O-ring | 45 x 3 | NBR | 2 |
| | DOR.072.VI | O-ring | 45 x 3 | FPM | |
| B | DOR.058 | O-ring | 78 x 3 | NBR | 2 |
| C | DOR.082 | O-ring | 90 x 2.5 | NBR | 2 |
| | DOR.082.EP | O-ring | 90 x 2.5 | EPDM | |
| | DOR.082.VI | O-ring | 90 x 2.5 | FPM | |
| | DOR.082.PT | O-ring | 90 x 2.5 | MVQ; FEP coated | |
| D | DOR.068 | O-ring | 45 x 2 | NBR | 2 |
| E | NUS.033 | Shim | 45 x 55 x 0.3 | DIN 988 | 2 |

⁽¹⁰⁾ only in "dry buffer chamber", and as an option for custom Cartridge mechanical seal

Wear plate

Pos. 24-26

| Pos. | Part number | Description | Dimensions | Note | Qty. | 45 | 64 | 90 | 128 |
|------|-------------|-------------|------------|-------------------------|------|----|----|----|-----|
| 24 | PFL.D021 | Wear plate | | | | 1 | 1 | 1 | 1 |
| | PFL0009 | Wear plate | | Tungsten carbide coated | | | | | |
| 26 | PFL.D003 | Wear plate | | | | 1 | 1 | 1 | 1 |
| | PFL.D003.G1 | Wear plate | | Tungsten carbide coated | | | | | |

Preload

Position 27-29

| Pos. | Part number | Description | Dimensions | Note | Qty. | 45 | 64 | 90 | 128 |
|------|-------------|--------------------|---------------|----------|------|----|----|----|-----|
| 27 | NTF.004 | Spring washer | 50 x 25.4 x 3 | DIN 2093 | | 2 | 2 | 2 | 2 |
| 28 | PRS.D004 | Pressure disk | 56 x 13 | | | 2 | 2 | 2 | 2 |
| 29 | NSI.099 | Cylinder head bolt | M10 x 70 | DIN 6912 | | 2 | 2 | 2 | 2 |

O-ring

Pos. 30-33

| Pos. | Part number | Description | Dimensions | Note | Qty. | 45 | 64 | 90 | 128 |
|------|-------------|-------------|------------|-----------------|------|----|----|----|-----|
| 30 | DOR.057 | O-ring | 188 x 4 | NBR | | 2 | 2 | 2 | 2 |
| | DOR.057.VI | O-ring | 188 x 4 | FPM | | | | | |
| 31 | DOR.057 | O-ring | 188 x 4 | NBR | | 1 | 1 | 1 | 1 |
| | DOR.057.EP | O-ring | 188 x 4 | EPDM | | | | | |
| | DOR.057.VI | O-ring | 188 x 4 | FPM | | | | | |
| | DOR.057.PT | O-ring | 188 x 4 | MVQ; FEP coated | | | | | |
| 32 | DOR.056 | O-ring | 50 x 3 | NBR | | 2 | 2 | 2 | 2 |
| | DOR.056.EP | O-ring | 50 x 3 | EPDM | | | | | |
| | DOR.056.VI | O-ring | 50 x 3 | FPM | | | | | |
| | DOR.056.PT | O-ring | 50 x 3 | MVQ; FEP coated | | | | | |
| 33 | DOR.055 | O-ring | 16 x 2 | NBR | | 2 | 2 | 2 | 2 |
| | DOR.055.EP | O-ring | 16 x 2 | EPDM | | | | | |
| | DOR.055.VI | O-ring | 16 x 2 | FPM | | | | | |
| | DOR.055.PT | O-ring | 16 x 2 | MVQ; FEP coated | | | | | |

Gasket for pump housing segment

Position 34

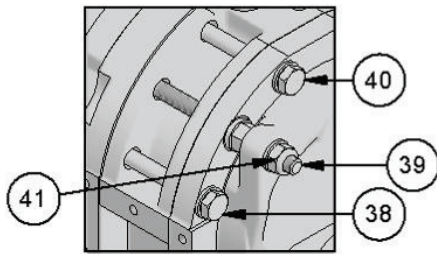
| Pos. | Part number | Description | Dimensions | Note | Qty. | 45 | 64 | 90 | 128 |
|------|-------------|---------------------------------|------------|------|------|----|----|----|-----|
| 34 | DAD.D003 | Gasket, pump housing segment | | | | 4 | 4 | 4 | 4 |

Screws and accessories

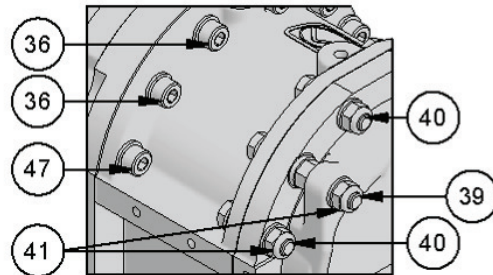
Positions 35-41

| Pos. | Part number | Description | Dimensions | Note | Qty. | 45 | 64 | 90 | 128 |
|---|-------------|--------------------|------------------|----------------------|------|----|----|----|-----|
| Pump housing segments made of grey cast iron | | | | | | | | | |
| 35 | NUS.003 | Washer | A 8,4 x 16 x 1,6 | | | 22 | 22 | 46 | 46 |
| 36 | NSI.005 | Cylinder head bolt | M8 x 30 | Pump housing segment | | - | - | 8 | 8 |
| | | | | Gear box housing | | 6 | 6 | 6 | 6 |
| 37 | NSI0050 | Cylinder head bolt | M8 x 80 | DIN 912 | | 4 | 4 | 4 | 4 |
| 38 | NSK.049 | Hexagon head bolt | M8 x 100 | DIN 931 | | 4 | - | - | - |
| | NSK.063 | Hexagon head bolt | M8 x 120 | DIN 931 | | - | 4 | - | - |
| 39 | NGS.017 | Threaded rod | M8 x 120 | DIN 976 | | 4 | - | - | - |
| | NGS0023 | Threaded rod | M8 x 130 | DIN 976 | | - | 4 | - | - |
| | NSK.148 | Hexagon head bolt | M8 x 60 | DIN 933 | | - | - | 4 | 4 |
| 40 | NSK.062 | Hexagon head bolt | M8 x 80 | DIN 931 | | 4 | - | - | - |
| | NSK.049 | Hexagon head bolt | M8 x 100 | DIN 931 | | - | 4 | - | - |
| | NSK.021 | Hexagon head bolt | M8 x 35 | DIN 933 | | - | - | 8 | 8 |
| 41 | NMK.004 | Hexagon nut | M8 | DIN 985-3 | | 4 | 4 | 12 | 12 |

Grey cast iron 45-64



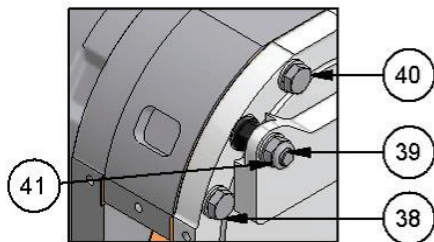
Grey cast iron 90-128



| Pos. | Part number | Description | Dimensions | Note | Qty. | 45 | 64 | 90 | 128 |
|------|-------------|-------------|------------|------|------|----|----|----|-----|
|------|-------------|-------------|------------|------|------|----|----|----|-----|

Pump housing segment made of steel / stainless steel

| | | | | | | | | | |
|----|---------|--------------------|------------------|-----------|--|----|----|----|----|
| 35 | NUS.003 | Washer | A 8,4 x 16 x 1,6 | | | 22 | 22 | 22 | 22 |
| 36 | NSI.005 | Cylinder head bolt | M 8 x 30 | DIN 912 | | 6 | 6 | 6 | 6 |
| 37 | NSI0050 | Cylinder head bolt | M 8 x 80 | DIN 912 | | 4 | 4 | 4 | 4 |
| 38 | NSK.049 | Hexagon head bolt | M 8 x 100 | DIN 931 | | 4 | - | - | - |
| | NSK.063 | Hexagon head bolt | M 8 x 120 | DIN 931 | | - | 4 | - | - |
| | NSK.190 | Hexagon head bolt | M 8 x 150 | DIN 931 | | - | - | 4 | - |
| | NSK.191 | Hexagon head bolt | M 8 x 190 | DIN 931 | | - | - | - | 4 |
| 39 | NGS.017 | Threaded rod | M 8 x 120 | DIN 976 | | 4 | - | - | - |
| | NGS0023 | Threaded rod | M 8 x 130 | DIN 976 | | - | 4 | - | - |
| | NGS.087 | Threaded rod | M 8 x 120 | DIN 976 | | - | - | 4 | - |
| | NGS.092 | Threaded rod | M 8 x 140 | DIN 976 | | - | - | - | 4 |
| 40 | NSK.062 | Hexagon head bolt | M 8 x 80 | DIN 931 | | 4 | - | - | - |
| | NSK.049 | Hexagon head bolt | M 8 x 100 | DIN 931 | | - | 4 | - | - |
| | NSK.140 | Hexagon head bolt | M 8 x 130 | DIN 931 | | - | - | 4 | - |
| | NSK0010 | Hexagon head bolt | M 8 x 170 | DIN 931 | | - | - | - | 4 |
| 41 | NMK.004 | Hexagon nut | M 8 | DIN 985-3 | | 4 | 4 | 4 | 4 |



Screws and accessories

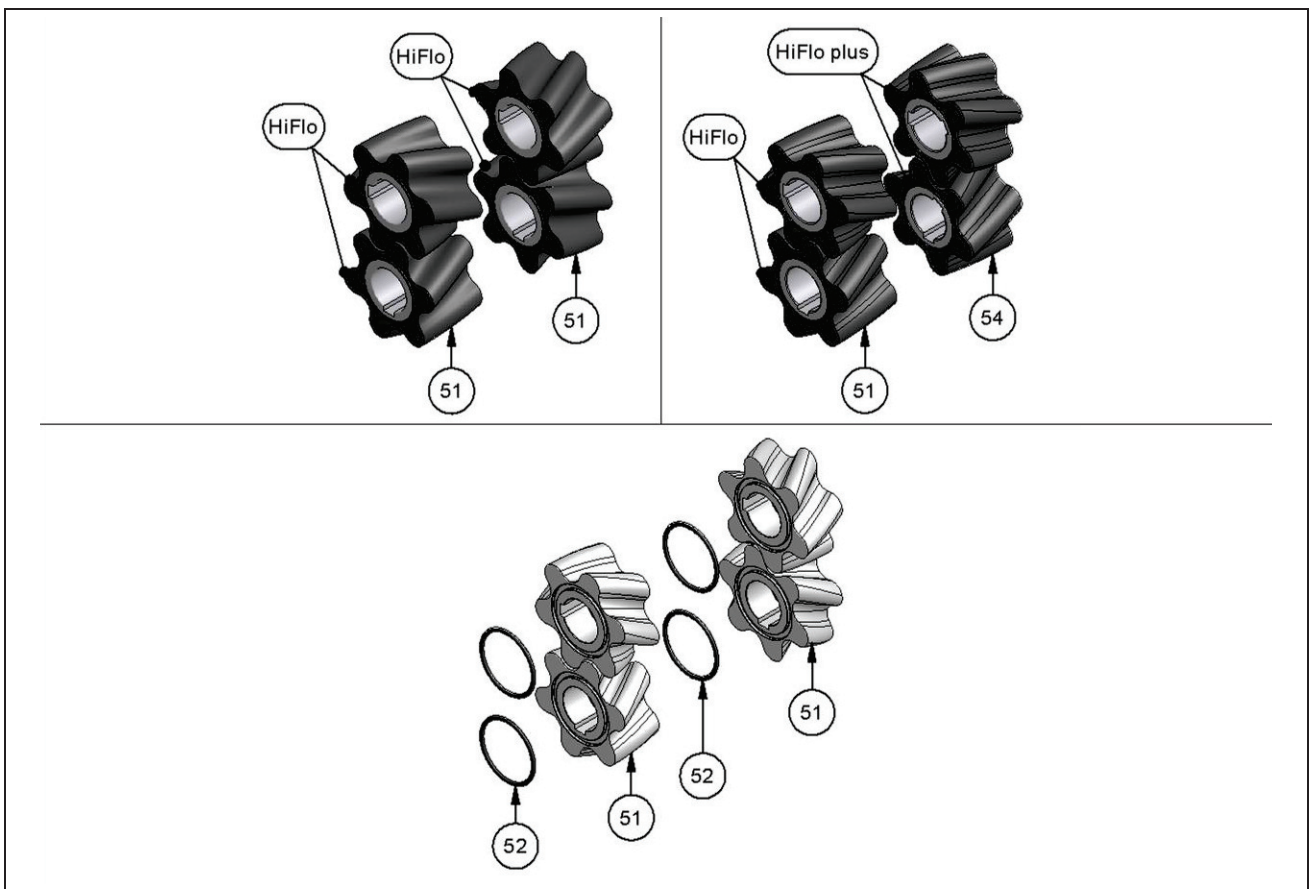
Pos. 42-49

| Pos. | Part number | Description | Dimensions | Note | Qty. | 45 | 64 | 90 | 128 |
|------|-------------|---------------------|-----------------|-------------------|------|-----------------------|-----------------------|-----------------------|-----------------------|
| 42 | PRS.D006 | Distance nut | M 8 | | | 4 | 4 | 4 | 4 |
| 43 | NSP.021 | Spring pin | 11 x 18 | DIN 7346 | | 18 | 18 | 18 | 18 |
| 44 | NSK0006 | Hexagon head bolt | M8 x 16 | DIN 933 | | 2 | 2 | 2 | 2 |
| 45 | NSK.193.EE | Hexagon head bolt | M6 x 10 | DIN 933 | | 2 | 2 | 2 | 2 |
| 37 | NSI.115 | Cylinder head bolt | M8 x 50 | DIN 912 | | - | - | 4 | 4 |
| 48 | NSK.088 | Hex head screw plug | M 16 x 1.5 | DIN 910; magnetic | | 1 | 1 | 1 | 1 |
| 49 | NSK.081 | Hex head screw plug | M 16 x 1.5 | DIN 910 | | 6 3 ⁽⁹⁾ | 6 3 ⁽⁹⁾ | 6 3 ⁽⁹⁾ | 6 3 ⁽⁹⁾ |
| 50 | DKR.005 | Copper ring | A 16 x 22 x 1.5 | DIN 7603 | | 8 4 ⁽⁹⁾ | 8 4 ⁽⁹⁾ | 8 4 ⁽⁹⁾ | 8 4 ⁽⁹⁾ |

⁽⁷⁾ for hydraulic motor

⁽⁹⁾ for Cartridge with flushing connector

Rotary lobes



HiFlo
Position 51

HiFlo SBR

| Pos. | Part number | Description | Dimensions | Note | Qty. | 45 | 64 | 90 | 128 |
|------|-------------|-------------|----------------------|------|------|----|----|----------|----------|
| 51 | PKD.D101.TL | Rotary lobe | 45; 6K15-L HiFlo | SBR | | 1 | - | 2 (1) | - |
| | PKD.D101.TR | Rotary lobe | 45; 6K15-R HiFlo | SBR | | 1 | - | 2 (1) | - |
| | PKD.D111.TL | Rotary lobe | 64; 6K15-L HiFlo | SBR | | - | 1 | - | 2 (1) |
| | PKD.D111.TR | Rotary lobe | 64; 6K15-R HiFlo | SBR | | - | 1 | - | 2 (1) |
| 54 | | Rotary lobe | 45; 6K15-L HiFloplus | SBR | | - | - | (1) | - |
| | | Rotary lobe | 45; 6K15-R HiFloplus | SBR | | - | - | (1) | - |
| | | Rotary lobe | 64; 6K15-L HiFloplus | SBR | | - | - | - | (1) |
| | | Rotary lobe | 64; 6K15-R HiFloplus | SBR | | - | - | - | (1) |

HiFlo NBR

| Pos. | Part number | Description | Dimensions | Note | Qty. | 45 | 64 | 90 | 128 |
|------|-------------|-------------|----------------------|-----------|------|----|----|----------|----------|
| 51 | PKD.D102.TL | Rotary lobe | 45; 6K15-L HiFlo | NBR | | 1 | - | 2 (1) | - |
| | PKD.D102.TR | Rotary lobe | 45; 6K15-R HiFlo | NBR | | 1 | - | 2 (1) | - |
| | PKD.D112.TL | Rotary lobe | 64; 6K15-L HiFlo | NBR | | - | 1 | - | 2 (1) |
| | PKD.D112.TR | Rotary lobe | 64; 6K15-R HiFlo | NBR | | - | 1 | - | 2 (1) |
| 54 | PKD0023 | Rotary lobe | 45; 6K15-L HiFloplus | NBR | | - | - | (1) | - |
| | PKD0024 | Rotary lobe | 45; 6K15-R HiFloplus | NBR | | - | - | (1) | - |
| | PKD0025 | Rotary lobe | 64; 6K15-L HiFloplus | NBR | | - | - | - | (1) |
| | PKD0026 | Rotary lobe | 64; 6K15-R HiFloplus | NBR | | - | - | - | (1) |
| 51 | PKD.D103.TL | Rotary lobe | 45; 6K15-L HiFlo | NBR white | | 1 | - | 2 (1) | - |
| | PKD.D103.TR | Rotary lobe | 45; 6K15-R HiFlo | NBR white | | 1 | - | 2 (1) | - |
| | PKD.D113.TL | Rotary lobe | 64; 6K15-L HiFlo | NBR white | | - | 1 | - | 2 (1) |
| | PKD.D113.TR | Rotary lobe | 64; 6K15-R HiFlo | NBR white | | - | 1 | - | 2 (1) |
| 54 | | Rotary lobe | 45; 6K15-L HiFloplus | NBR white | | - | - | (1) | - |
| | | Rotary lobe | 45; 6K15-R HiFloplus | NBR white | | - | - | (1) | - |
| | | Rotary lobe | 64; 6K15-L HiFloplus | NBR white | | - | - | - | (1) |
| | | Rotary lobe | 64; 6K15-R HiFloplus | NBR white | | - | - | - | (1) |

() quantity for HiFlo plus

HiFlo EPDM

| Pos. | Part number | Description | Dimensions | Note | Qty. | 45 | 64 | 90 | 128 |
|------|-------------|-------------|----------------------|------------|------|----|----|----------|----------|
| 51 | PKD.D110.TL | Rotary lobe | 45; 6K15-L HiFlo | EPDM-SL | | 1 | - | 2 (1) | - |
| | PKD.D110.TR | Rotary lobe | 45; 6K15-R HiFlo | EPDM-SL | | 1 | - | 2 (1) | - |
| | PKD.D120.TL | Rotary lobe | 64; 6K15-L HiFlo | EPDM-SL | | - | 1 | - | 2 (1) |
| | PKD.D120.TR | Rotary lobe | 64; 6K15-R HiFlo | EPDM-SL | | - | 1 | - | 2 (1) |
| 54 | | Rotary lobe | 45; 6K15-L HiFloplus | EPDM-SL | | - | - | (1) | - |
| | | Rotary lobe | 45; 6K15-R HiFloplus | EPDM-SL | | - | - | (1) | - |
| | PKD0062 | Rotary lobe | 64; 6K15-L HiFloplus | EPDM-SL | | - | - | - | (1) |
| | PKD0063 | Rotary lobe | 64; 6K15-R HiFloplus | EPDM-SL | | - | - | - | (1) |
| 51 | PKD.D106.TL | Rotary lobe | 45; 6K15-L HiFlo | EPDM white | | 1 | - | 2 (1) | - |
| | PKD.D106.TR | Rotary lobe | 45; 6K15-R HiFlo | EPDM white | | 1 | - | 2 (1) | - |
| | PKD.D116.TL | Rotary lobe | 64; 6K15-L HiFlo | EPDM white | | - | 1 | - | 2 (1) |
| | PKD.D116.TR | Rotary lobe | 64; 6K15-R HiFlo | EPDM white | | - | 1 | - | 2 (1) |
| 54 | | Rotary lobe | 45; 6K15-L HiFloplus | EPDM white | | - | - | (1) | - |
| | | Rotary lobe | 45; 6K15-R HiFloplus | EPDM white | | - | - | (1) | - |
| | | Rotary lobe | 64; 6K15-L HiFloplus | EPDM white | | - | - | - | (1) |
| | | Rotary lobe | 64; 6K15-R HiFloplus | EPDM white | | - | - | - | (1) |

HiFlo FPM

| Pos. | Part number | Description | Dimensions | Note | Qty. | 45 | 64 | 90 | 128 |
|------|-------------|-------------|----------------------|--------------------|------|----|----|----------|----------|
| 51 | PKD.D105.TL | Rotary lobe | 45; 6K15-L HiFlo | FPM ⁽¹⁾ | | 1 | - | 2 (1) | - |
| | PKD.D105.TR | Rotary lobe | 45; 6K15-R HiFlo | FPM ⁽¹⁾ | | 1 | - | 2 (1) | - |
| | PKD.D115.TL | Rotary lobe | 64; 6K15-L HiFlo | FPM ⁽¹⁾ | | - | 1 | - | 2 (1) |
| | PKD.D115.TR | Rotary lobe | 64; 6K15-R HiFlo | FPM ⁽¹⁾ | | - | 1 | - | 2 (1) |
| 54 | | Rotary lobe | 45; 6K15-L HiFloplus | FPM ⁽¹⁾ | | - | - | (1) | - |
| | | Rotary lobe | 45; 6K15-R HiFloplus | FPM ⁽¹⁾ | | - | - | (1) | - |
| | | Rotary lobe | 64; 6K15-L HiFloplus | FPM ⁽¹⁾ | | - | - | - | (1) |
| | | Rotary lobe | 64; 6K15-R HiFloplus | FPM ⁽¹⁾ | | - | - | - | (1) |

⁽¹⁾ max. 6 bar [87 psi], please pay attention to the admissible pressure of pump!

HiFlo WEROBUST

| Pos. | Part number | Description | Dimensions | Note | Qty. | 45 | 64 | 90 | 128 |
|------|-------------|-------------|----------------------|-------------------------|------|----|----|----------|----------|
| 51 | PKD.D108.TL | Rotary lobe | 45; 6K15-L HiFlo | WEROBUST ⁽²⁾ | | 1 | - | 2 (1) | - |
| | PKD.D108.TR | Rotary lobe | 45; 6K15-R HiFlo | WEROBUST ⁽²⁾ | | 1 | - | 2 (1) | - |
| | PKD.D118.TL | Rotary lobe | 64; 6K15-L HiFlo | WEROBUST ⁽²⁾ | | - | 1 | - | 2 (1) |
| | PKD.D118.TR | Rotary lobe | 64; 6K15-R HiFlo | WEROBUST ⁽²⁾ | | - | 1 | - | 2 (1) |
| 54 | | Rotary lobe | 45; 6K15-L HiFloplus | WEROBUST ⁽²⁾ | | - | - | (1) | - |
| | | Rotary lobe | 45; 6K15-R HiFloplus | WEROBUST ⁽²⁾ | | - | - | (1) | - |
| | | Rotary lobe | 64; 6K15-L HiFloplus | WEROBUST ⁽²⁾ | | - | - | - | (1) |
| | | Rotary lobe | 64; 6K15-R HiFloplus | WEROBUST ⁽²⁾ | | - | - | - | (1) |

⁽²⁾ Attention! Usable up to 50°C medium temperature, only!

() quantity for HiFlo plus

HiFlo CSM Hypalon

| Pos. | Part number | Description | Dimensions | Note | Qty. | 45 | 64 | 90 | 128 |
|------|-------------|-------------|----------------------|-------------|------|----|----|----------|----------|
| 51 | PKD.D107.TL | Rotary lobe | 45; 6K15-L HiFlo | CSM Hypalon | | 1 | - | 2 (1) | - |
| | PKD.D107.TR | Rotary lobe | 45; 6K15-R HiFlo | CSM Hypalon | | 1 | - | 2 (1) | - |
| | PKD.D117.TL | Rotary lobe | 64; 6K15-L HiFlo | CSM Hypalon | | - | 1 | - | 2 (1) |
| | PKD.D117.TR | Rotary lobe | 64; 6K15-R HiFlo | CSM Hypalon | | - | 1 | - | 2 (1) |
| 54 | | Rotary lobe | 45; 6K15-L HiFloplus | CSM Hypalon | | - | - | (1) | - |
| | | Rotary lobe | 45; 6K15-R HiFloplus | CSM Hypalon | | - | - | (1) | - |
| | | Rotary lobe | 64; 6K15-L HiFloplus | CSM Hypalon | | - | - | - | (1) |
| | | Rotary lobe | 64; 6K15-R HiFloplus | CSM Hypalon | | - | - | - | (1) |

() quantity for HiFlo plus

Rotary lobes; bi-lobe

Position 51

| Pos. | Part number | Description | Dimensions | Note | Qty. | 45 | 64 | 90 | 128 |
|----------|----------------------|-------------------------------------|-------------------------|----------------------------|------|----|----|----|-----|
| 51 | PKD.D001 | Rotary lobe; 2-wings | 45 | SBR | | 2 | - | 4 | - |
| | PKD.D011 | Rotary lobe; 2-wings | 64 | SBR | | - | 2 | - | 4 |
| | PKD.D002 | Rotary lobe; 2-wings | 45 | NBR | | 2 | - | - | - |
| | PKD.D012 | Rotary lobe; 2-wings | 64 | NBR | | - | 2 | - | - |
| | PKD.D022 | Rotary lobe; 2-wings | 90 | NBR | | - | - | 2 | - |
| | PKD.D032 | Rotary lobe; 2-wings | 128 | NBR | | - | - | - | 2 |
| | PKD.D002.F | Rotary lobe; 2-wings | 45 | NBR with large rubber line | | 2 | - | 4 | - |
| | PKD.D012.F | Rotary lobe; 2-wings | 64 | NBR with large rubber line | | - | 2 | - | 4 |
| | PKD.D002.W | Rotary lobe; 2-wings | 45 | NBR white | | 2 | - | 4 | - |
| | PKD.D012.W | Rotary lobe; 2-wings | 64 | NBR white | | - | 2 | - | 4 |
| | PKD.D003.SL | Rotary lobe; 2-wings | 45 | EPDM-SL | | 2 | - | 4 | - |
| | PKD.D013.SL | Rotary lobe; 2-wings | 64 | EPDM-SL | | - | 2 | - | 4 |
| | PKD.D003.W | Rotary lobe; 2-wings | 45 | EPDM white | | 2 | - | 4 | - |
| | PKD.D013.W | Rotary lobe; 2-wings | 64 | EPDM white | | - | 2 | - | 4 |
| | PKD.D004 | Rotary lobe; 2-wings | 45 | FPM ⁽¹⁾ | | 2 | - | - | - |
| | PKD.D014 | Rotary lobe; 2-wings | 64 | FPM ⁽¹⁾ | | - | 2 | - | 4 |
| | PKD.D024 | Rotary lobe; 2-wings | 90 | FPM ⁽¹⁾ | | - | - | 2 | - |
| | PKD.D006 | Rotary lobe; 2-wings | 45 | WEROBUST ⁽²⁾ | | 2 | - | 4 | - |
| PKD.D015 | Rotary lobe; 2-wings | 64 | WEROBUST ⁽²⁾ | | - | 2 | - | 4 | |
| 51 | PKD.D007 | Rotary lobe; 2-wings ⁽³⁾ | 45 | 1.0503 nitrided (C45) | | 2 | - | 4 | - |
| | PKD.D008 | Rotary lobe; 2-wings ⁽³⁾ | 64 | 1.0503 nitrided (C45) | | - | 2 | - | 4 |

⁽¹⁾ max. 6 bar [87 psi], please pay attention to the admissible pressure of pump!

⁽²⁾ Attention! Usable up to 50°C medium temperature, only!

⁽³⁾ + O-ring for solid material lobe

Solid material rotary lobes

HiFlo

Position 51

| Pos. | Part number | Description | Dimensions | Note | Qty. | 45 | 64 | 90 | 128 |
|------|-------------|----------------------------|------------------------------|-----------------------|------|----|----|-----|-----|
| 51 | PKD.D109.TL | Rotary lobe ⁽³⁾ | 45; 6K15-L HiFlo | 1.0503 nitrided (C45) | | 1 | - | 2 | - |
| | PKD.D109.TR | Rotary lobe ⁽³⁾ | 45; 6K15-R HiFlo | 1.0503 nitrided (C45) | | 1 | - | 2 | - |
| | PKD.D119.TL | Rotary lobe ⁽³⁾ | 64; 6K15-L HiFlo | 1.0503 nitrided (C45) | | - | 1 | - | 2 |
| | PKD.D119.TR | Rotary lobe ⁽³⁾ | 64; 6K15-R HiFlo | 1.0503 nitrided (C45) | | - | 1 | - | 2 |
| 54 | | Rotary lobe ⁽³⁾ | 45; 6K15-L HiFlo <i>plus</i> | 1.0503 nitrided (C45) | | - | - | (1) | - |
| | | Rotary lobe ⁽³⁾ | 45; 6K15-R HiFlo <i>plus</i> | 1.0503 nitrided (C45) | | - | - | (1) | - |
| | | Rotary lobe ⁽³⁾ | 64; 6K15-L HiFlo <i>plus</i> | 1.0503 nitrided (C45) | | - | - | - | (1) |
| | | Rotary lobe ⁽³⁾ | 64; 6K15-R HiFlo <i>plus</i> | 1.0503 nitrided (C45) | | - | - | - | (1) |
| 52 | DOR.043 | O-ring ⁽⁵⁾ | 64 x 4 | NBR | | 2 | 2 | 4 | 4 |
| | DOR.043.EP | O-ring ⁽⁵⁾ | 64 x 4 | EPDM | | | | | |
| | DOR.043.VI | O-ring ⁽⁵⁾ | 64 x 4 | FPM | | | | | |
| | DOR.043.PT | O-ring ⁽⁵⁾ | 64 x 4 | MVQ; FEP coated | | | | | |

⁽⁵⁾ for solid material lobes

Accessories

Pos. 55 + 69

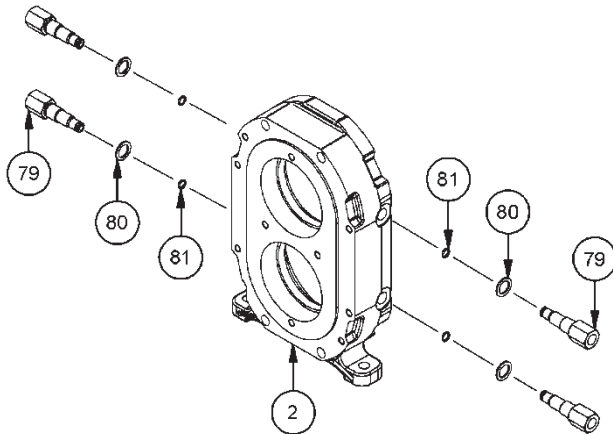
| Pos. | Part number | Description | Dimensions | Note | Qty. | 45 | 64 | 90 | 128 |
|------|------------------------|----------------|------------|----------|------|----|----|----|-----|
| 55 | NSR.045 | Retaining ring | 47 x 1.75 | DIN 472 | | 2 | 2 | 2 | 2 |
| | NSR0001 ⁽⁷⁾ | Retaining ring | 55 x 2 | DIN 472 | | | | | |
| 69 | NST.030 | Plug | | Silicone | | 2 | 2 | 2 | 2 |

Buffer chamber enlargement

Position 74

| Pos. | Part number | Description | Dimensions | Note | Qty. | 45 | 64 | 90 | 128 |
|------|-------------|----------------------|------------|---------------------|------|----|----|----|-----|
| 74 | PSG.014 | Buffer fluid tank | | Pressurized | | 1 | 1 | 1 | 1 |
| | PSG.014.T1 | Quenching fluid tank | | Ventilated (Option) | | | | | |
| | PSV.002.N1 | Pressure valve | | (Option) | | | | | |

Flushing connector cartridge
Position 79-82



| Pos. | Part number | Description | Dimensions | Note | Qty. | 45 | 64 | 90 | 128 |
|------|-------------|--------------------|-----------------|----------|------|----|----|----|-----|
| 79 | PRS0361 | Flushing connector | | | | 4 | 4 | 4 | 4 |
| 80 | DKR.006 | Copper ring | A 14 x 20 x 1.5 | DIN 7603 | | 4 | 4 | 4 | 4 |
| 81 | DOR.089 | O-ring | 8 x 2 | | | 4 | 4 | 4 | 4 |

For cartridge with flushing connector, the buffer chamber enlargement pos. 74 is eliminated!

Lifting eye bolt
Position 83

| Pos. | Part number | Description | Dimensions | Note | Qty. | 45 | 64 | 90 | 128 |
|------|-------------|------------------|------------|---------|------|----|----|----|-----|
| 83 | NMK.011 | Lifting eye bolt | M 8 | DIN 580 | | 1 | 1 | 1 | 1 |

Tools

| Pos. | Part number | Description | Dimensions | Note | Qty. | 45 | 64 | 90 | 128 |
|------|----------------|-------------------|------------|-----------|------|----|----|----|-----|
| | PBA0001 | Installation tool | | Cartridge | | x | x | x | x |
| | PBA.D001.TK.N1 | Lobe puller | | Short | | x | x | | |
| | PBA.D001.TL.N1 | Lobe puller | | Long | | | | x | x |
| | WKZ0104 | Tool box | | VX100Q | | | | | |

Material for connectors

| Pos. | Part number | Description | Dimensions | Note | Qty. | 45 | 64 | 90 | 128 |
|------|-------------|---------------|-----------------|-----------|------|----|----|----|-----|
| | NGS.033 | Set screw | M6 x 16 | DIN 939 | | 20 | 20 | 24 | 24 |
| | NMS.001 | Hexagon nut | M6 | DIN 934-8 | | 20 | 20 | 24 | 24 |
| | NUS.002 | Washer | B 6. x 12 x 1.6 | DIN 125 | | 20 | 20 | 24 | 24 |
| | PFL.350 | Flange | 45 | | | 2 | - | - | - |
| | PFL.351 | Flange | 64 | | | - | 2 | - | - |
| | PFL.352 | Flange | 90 | | | - | - | 2 | - |
| | PFL.353 | Flange | 128 | | | - | - | - | 2 |
| | DFD.350.P | Flange gasket | 45 | | | 2 | - | - | - |
| | DFD.351.P | Flange gasket | 64 | | | - | 2 | - | - |
| | DFD.352.P | Flange gasket | 90 | | | - | - | 2 | - |
| | DFD.353.P | Flange gasket | 128 | | | - | - | - | 2 |

Required spare parts for rotary lobe change

| Pos. | Part number | Description | Dimensions | Note | Qty. | 45 | 64 | 90 | 128 |
|-------|-------------|--------------------|----------------|-----------------|------|----|----|----|-----|
| 22 | NPF.050 | Fitting key | B 14 x 9 x 20 | DIN 6885 | | 2 | - | - | - |
| | NPF.022 | Fitting key | B 14 x 9 x 35 | DIN 6885 | | - | 2 | - | - |
| | NPF.051 | Fitting key | B 14 x 9 x 63 | DIN 6885 | | - | - | 2 | - |
| | NPF.013 | Fitting key | B 14 x 9 x 100 | DIN 6885 | | - | - | - | 2 |
| 29 | NSI.099 | Cylinder head bolt | M10 x 70 | DIN 6912 | | 2 | 2 | 2 | 2 |
| 31 | DOR.057 | O-ring | 188 x 4 | NBR | | 1 | 1 | 1 | 1 |
| | DOR.057.EP | O-ring | 188 x 4 | EPDM | | | | | |
| | DOR.057.VI | O-ring | 188 x 4 | FPM | | | | | |
| | DOR.057.PT | O-ring | 188 x 4 | MVQ; FEP coated | | | | | |
| 32 | DOR.056 | O-ring | 50 x 3 | NBR | | 2 | 2 | 2 | 2 |
| | DOR.056.EP | O-ring | 50 x 3 | EPDM | | | | | |
| | DOR.056.VI | O-ring | 50 x 3 | FPM | | | | | |
| | DOR.056.PT | O-ring | 50 x 3 | MVQ; FEP coated | | | | | |
| 33 | DOR.055 | O-ring | 16 x 2 | NBR | | 2 | 2 | 2 | 2 |
| | DOR.055.EP | O-ring | 16 x 2 | EPDM | | | | | |
| | DOR.055.VI | O-ring | 16 x 2 | FPM | | | | | |
| | DOR.055.PT | O-ring | 16 x 2 | MVQ; FEP coated | | | | | |
| 51-54 | | Rotary lobe | | See page 8 ff | | | | | |
| 69 | NST.030 | Plug | | Silicone | | 2 | 2 | 2 | 2 |

⁽⁵⁾ for solid material lobes

Required spare parts for mechanical seal change

| Pos. | Part number | Description | Dimensions | Note | Qty. | 45 | 64 | 90 | 128 |
|---|------------------------|--------------------------------------|------------|--|------|----|----|----|-----|
| Steel nitrieded; single-mechanical seal: | | | | | | | | | |
| 23 | PBT.D051 | Cartridge mechanical seal block ring | | WC/SiC; HNBR, HNBR | | 2 | 2 | 2 | 2 |
| | PBT0353 | | | WC/SiC; FPM, HNBR | | | | | |
| | PBT0351 | | | WC/SiC; FPM, FPM | | | | | |
| | PBT0341 | | | WC/SiC; FFPM, HNBR | | | | | |
| | PBT0431 | | | WC/SiC; EPDM, HNBR | | | | | |
| | PBT.D050 | | | CrO/Duronit ⁽⁴⁾ ; HNBR, HNBR | | | | | |
| | PBT0101 | | | CrO/Duronit ⁽⁴⁾ ; FPM, HNBR | | | | | |
| | PBT0506 | | | CrO/Duronit ⁽⁴⁾ ; FPM, FPM | | | | | |
| | PBT0508 | | | CrO/Duronit ⁽⁴⁾ ; FPM, HNBR | | | | | |
| | PBT0356 | | | CrO/Duronit ⁽⁴⁾ ; FFPM, HNBR | | | | | |
| | PBT0568 | | | CrO/Duronit ⁽⁴⁾ ; EPDM, HNBR | | | | | |
| | PBT0167 | | | WC/coal; HNBR, HNBR | | | | | |
| Steel nitrieded; double-mechanical seal: | | | | | | | | | |
| 23 | PBT.D051.D | Cartridge mechanical seal block ring | | WC/SiC; HNBR | | 2 | 2 | 2 | 2 |
| | PBT0170 | | | WC/SiC; FPM | | | | | |
| | PBT.D050.D | | | CrO/Duronit ⁽⁴⁾ ; HNBR | | | | | |
| | PBT0102 | | | CrO/Duronit ⁽⁴⁾ ; FPM | | | | | |
| 1.4571 single-mechanical seal: | | | | | | | | | |
| 23 | PBT0104 | Cartridge mechanical seal block ring | | WC/SiC; HNBR, HNBR | | 2 | 2 | 2 | 2 |
| | PBT0105 | | | WC/SiC; FPM, HNBR | | | | | |
| | PBT0369 | | | WC/SiC; EPDM, HNBR | | | | | |
| | PBT0593 | | | WC/SiC; FPM, FPM | | | | | |
| | PBT0615 | | | WC/SiC; FFPM, HNBR | | | | | |
| | PBT0168 | | | WC/Coal; HNBR, HNBR | | | | | |
| | PBT0354 | | | WC/Coal; EPDM, HNBR | | | | | |
| 1.4571 double-mechanical seal: | | | | | | | | | |
| 23 | PBT0304 | Cartridge mechanical seal block ring | | WC/SiC; HNBR | | 2 | 2 | 2 | 2 |
| | PBT0443 | | | WC/SiC; FPM | | | | | |
| | PBT0585 | | | WC/SiC; FFPM | | | | | |
| | PBT0527 | | | WC/SiC; HNBR (distance ring: 1.4571) | | | | | |
| | PBT0611 | | | WC/SiC; FPM (NBR) | | | | | |
| | PBT0630 ⁽⁹⁾ | | | WC/SiC; HNBR with flush bore hole ⁽⁹⁾ | | | | | |
| 29 | NSI.099 | Cylinder head bolt | M10 x 70 | DIN 6912 | | 2 | 2 | 2 | 2 |
| 31 | DOR.057 | O-ring | 188 x 4 | NBR | | 1 | 1 | 1 | 1 |
| | DOR.057.EP | O-ring | 188 x 4 | EPDM | | | | | |
| | DOR.057.VI | O-ring | 188 x 4 | FPM | | | | | |
| | DOR.057.PT | O-ring | 188 x 4 | MVQ; FEP coated | | | | | |
| 32 | DOR.056 | O-ring | 50 x 3 | NBR | | 2 | 2 | 2 | 2 |
| | DOR.056.EP | O-ring | 50 x 3 | EPDM | | | | | |
| | DOR.056.VI | O-ring | 50 x 3 | FPM | | | | | |
| | DOR.056.PT | O-ring | 50 x 3 | MVQ; FEP coated | | | | | |
| 33 | DOR.055 | O-ring | 16 x 2 | NBR | | 2 | 2 | 2 | 2 |
| | DOR.055.EP | O-ring | 16 x 2 | EPDM | | | | | |
| | DOR.055.VI | O-ring | 16 x 2 | FPM | | | | | |
| | DOR.055.PT | O-ring | 16 x 2 | MVQ; FEP coated | | | | | |
| 69 | NST.030 | Plug | | Silicone | | 2 | 2 | 2 | 2 |

⁽⁴⁾ up to 10 bar [145 psi] real operating pressure

⁽⁹⁾ for Cartridge with flushing connector

Required spare parts for wear part replacement

| Pos. | Part number | Description | Dimensions | Note | Qty. | 45 | 64 | 90 | 128 |
|------|-------------|-------------|----------------|----------|------|----|----|----|-----|
| 22 | NPF.050 | Fitting key | B 14 x 9 x 20 | DIN 6885 | | 2 | - | - | - |
| | NPF.022 | Fitting key | B 14 x 9 x 35 | DIN 6885 | | - | 2 | - | - |
| | NPF.051 | Fitting key | B 14 x 9 x 63 | DIN 6885 | | - | - | 2 | - |
| | NPF.013 | Fitting key | B 14 x 9 x 100 | DIN 6885 | | - | - | - | 2 |

Steel nitrided; single-mechanical seal:

| | | | | | | | | | |
|----|----------|---|--|--|--|---|---|---|---|
| 23 | PBT.D051 | Cartridge mechanical seal block ring | | WC/SiC; HNBR, HNBR | | 2 | 2 | 2 | 2 |
| | PBT0353 | | | WC/SiC; FPM, HNBR | | | | | |
| | PBT0351 | | | WC/SiC; FPM, FPM | | | | | |
| | PBT0341 | | | WC/SiC; FFPM, HNBR | | | | | |
| | PBT0431 | | | WC/SiC; EPDM, HNBR | | | | | |
| | PBT.D050 | | | CrO/Duronit ⁽⁴⁾ ; HNBR, HNBR | | | | | |
| | PBT0101 | | | CrO/Duronit ⁽⁴⁾ ; FPM, HNBR | | | | | |
| | PBT0506 | | | CrO/Duronit ⁽⁴⁾ ; FPM, FPM | | | | | |
| | PBT0508 | | | CrO/Duronit ⁽⁴⁾ ; FPM, HNBR | | | | | |
| | PBT0356 | | | CrO/Duronit ⁽⁴⁾ ; FFPM, HNBR | | | | | |
| | PBT0568 | | | CrO/Duronit ⁽⁴⁾ ; EPDM, HNBR | | | | | |
| | PBT0167 | | | WC/coal; HNBR, HNBR | | | | | |

Steel nitrided; double-mechanical seal:

| | | | | | | | | | |
|----|------------|---|--|-----------------------------------|--|---|---|---|---|
| 23 | PBT.D051.D | Cartridge mechanical seal block ring | | WC/SiC; HNBR | | 2 | 2 | 2 | 2 |
| | PBT0170 | | | WC/SiC; FPM | | | | | |
| | PBT.D050.D | | | CrO/Duronit ⁽⁴⁾ ; HNBR | | | | | |
| | PBT0102 | | | CrO/Duronit ⁽⁴⁾ ; FPM | | | | | |

1.4571 single-mechanical seal:

| | | | | | | | | | |
|----|---------|---|--|---------------------|--|---|---|---|---|
| 23 | PBT0104 | Cartridge mechanical seal block ring | | WC/SiC; HNBR, HNBR | | 2 | 2 | 2 | 2 |
| | PBT0105 | | | WC/SiC; FPM, HNBR | | | | | |
| | PBT0369 | | | WC/SiC; EPDM, HNBR | | | | | |
| | PBT0593 | | | WC/SiC; FPM, FPM | | | | | |
| | PBT0615 | | | WC/SiC; FFPM, HNBR | | | | | |
| | PBT0168 | | | WC/Coal; HNBR, HNBR | | | | | |
| | PBT0354 | | | WC/Coal; EPDM, HNBR | | | | | |

1.4571 double-mechanical seal:

| | | | | | | | | | |
|----|------------------------|---|----------|---|--|---|---|---|---|
| 23 | PBT0304 | Cartridge mechanical seal block ring | | WC/SiC; HNBR | | 2 | 2 | 2 | 2 |
| | PBT0443 | | | WC/SiC; FPM | | | | | |
| | PBT0585 | | | WC/SiC; FFPM | | | | | |
| | PBT0527 | | | WC/SiC; HNBR (distance ring: 1.4571) | | | | | |
| | PBT0611 | | | WC/SiC; FPM (NBR) | | | | | |
| | PBT0630 ⁽⁹⁾ | | | WC/SiC; HNBR with flush bore hole ⁽⁹⁾ | | | | | |
| 24 | PFL.D021 | Wear plate | | | | 1 | 1 | 1 | 1 |
| | PFL0009 | Wear plate | | Tungsten carbide coated | | | | | |
| 26 | PFL.D003 | Wear plate | | | | 1 | 1 | 1 | 1 |
| | PFL.D003.G1 | Wear plate | | Tungsten carbide coated | | | | | |
| 29 | NSI.099 | Cylinder head bolt | M10 x 70 | DIN 6912 | | 2 | 2 | 2 | 2 |

⁽⁴⁾ up to 10 bar [145 psi] real operating pressure

⁽⁵⁾ for solid material lobes

⁽⁹⁾ for Cartridge with flushing connector

Continuation see next page

| Pos. | Part number | Description | Dimensions | Note | Qty. | 45 | 64 | 90 | 128 |
|-------|-------------|---------------------------------|------------|-----------------|------|----|----|----|-----|
| 31 | DOR.057 | O-ring | 188 x 4 | NBR | | 1 | 1 | 1 | 1 |
| | DOR.057.EP | O-ring | 188 x 4 | EPDM | | | | | |
| | DOR.057.VI | O-ring | 188 x 4 | FPM | | | | | |
| | DOR.057.PT | O-ring | 188 x 4 | MVQ; FEP coated | | | | | |
| 32 | DOR.056 | O-ring | 50 x 3 | NBR | | 2 | 2 | 2 | 2 |
| | DOR.056.EP | O-ring | 50 x 3 | EPDM | | | | | |
| | DOR.056.VI | O-ring | 50 x 3 | FPM | | | | | |
| | DOR.056.PT | O-ring | 50 x 3 | MVQ; FEP coated | | | | | |
| 33 | DOR.055 | O-ring | 16 x 2 | NBR | | 2 | 2 | 2 | 2 |
| | DOR.055.EP | O-ring | 16 x 2 | EPDM | | | | | |
| | DOR.055.VI | O-ring | 16 x 2 | FPM | | | | | |
| | DOR.055.PT | O-ring | 16 x 2 | MVQ; FEP coated | | | | | |
| 34 | DAD.D003 | Gasket, pump housing segment | | | | 4 | 4 | 4 | 4 |
| 44 | NSK0006 | Hexagon head bolt | M8 x 16 | DIN 933 | | 2 | 2 | 2 | 2 |
| 45 | NSK.193.EE | Hexagon head bolt | M6 x 10 | DIN 933 | | 2 | 2 | 2 | 2 |
| 51-54 | | Rotary lobe | | See page 8 ff | | | | | |
| 69 | NST.030 | Plug | | Silicone | | 2 | 2 | 2 | 2 |



Hugo Vogelsang Maschinenbau GmbH
Holthöge 10-14
49632 Essen/Oldb.

Phone: +49 (0) 54 34 83 0
Fax: +49 (0) 54 34 83 10

vogelsang-gmbh.com
info@vogelsang-gmbh.com

ENGINEERED TO WORK

USA
Vogelsang USA Ltd.
vogelsangusa.com

Spanien
Vogelsang S.L.
vogelsang.es

Schweden
Vogelsang Sverige AB
vogelsang.se

Großbritannien
Vogelsang Ltd.
vogelsang.co.uk

Australien
Vogelsang Pty. Ltd.
vogelsang.com.au

Malaysia
Vogelsang Malaysia
vogelsang.info

Frankreich
Vogelsang France S.A.R.L.
vogelsang.fr

Indien
Vogelsang India Private Limited
vogelsangindia.com

Finnland
Vogelsang Oy
vogelsang.fi

Italien
Vogelsang Italy Srl
vogelsang-srl.it

Tschechische Republik
Vogelsang CZ s.r.o.
vogelsang-czech.cz

Irland
Vogelsang Irland
vogelsang.ie

Polen
Vogelsang Poland Sp. z o.o.
vogelsang.pl

Dänemark
Vogelsang A/S
vogelsang-as.dk

Südkorea
Vogelsang Korea Co., Ltd.
vogelsang.co.kr

Rumänien
Vogelsang Romania SRL
vogelsang.ro

Brasilien
Vogelsang Brasil Ltda.
vogelsang.com.br

Russland
Vogelsang Russland
vogelsang.ru

China
Vogelsang Mechanical Engineering (Shanghai) Co., Ltd.
vogelsang.com.cn

Mexico
Vogelsang De México S.de R.L. de CV
vogelsang.mx

Deutschland - Niederlassung Ost
Vogelsang Lutherstadt Eisleben
vogelsang-gmbh.com