



Spare Parts List

RotaCut®

5000 geared motor

ENGINEERED TO WORK



Spare parts list applies to orders from 2014-03-03 onwards

Issuer

Hugo Vogelsang Maschinenbau GmbH
Holthöge 10-14
49632 Essen/Oldb.

Phone: +49 54 34 83 0
Fax: +49 54 34 83 10

vogelsang-gmbh.com
info@vogelsang-gmbh.com

In the absence of express, written authorisation from the issuer, the reproduction or partial reproduction of this document in any form is prohibited.

We reserve the right to make technical modifications to the diagrams and information presented in this document in the event that such modifications become necessary for the enhancement of the machine.

© 2015 Hugo Vogelsang Maschinenbau GmbH

Registered trademarks of Vogelsang

Vogelsang, RotaCut, PreMix, HiFlo, ACC, CFC, BioCrack, XTill, EnergyJet and BioCut are registered trademarks of Hugo Vogelsang Maschinenbau GmbH.

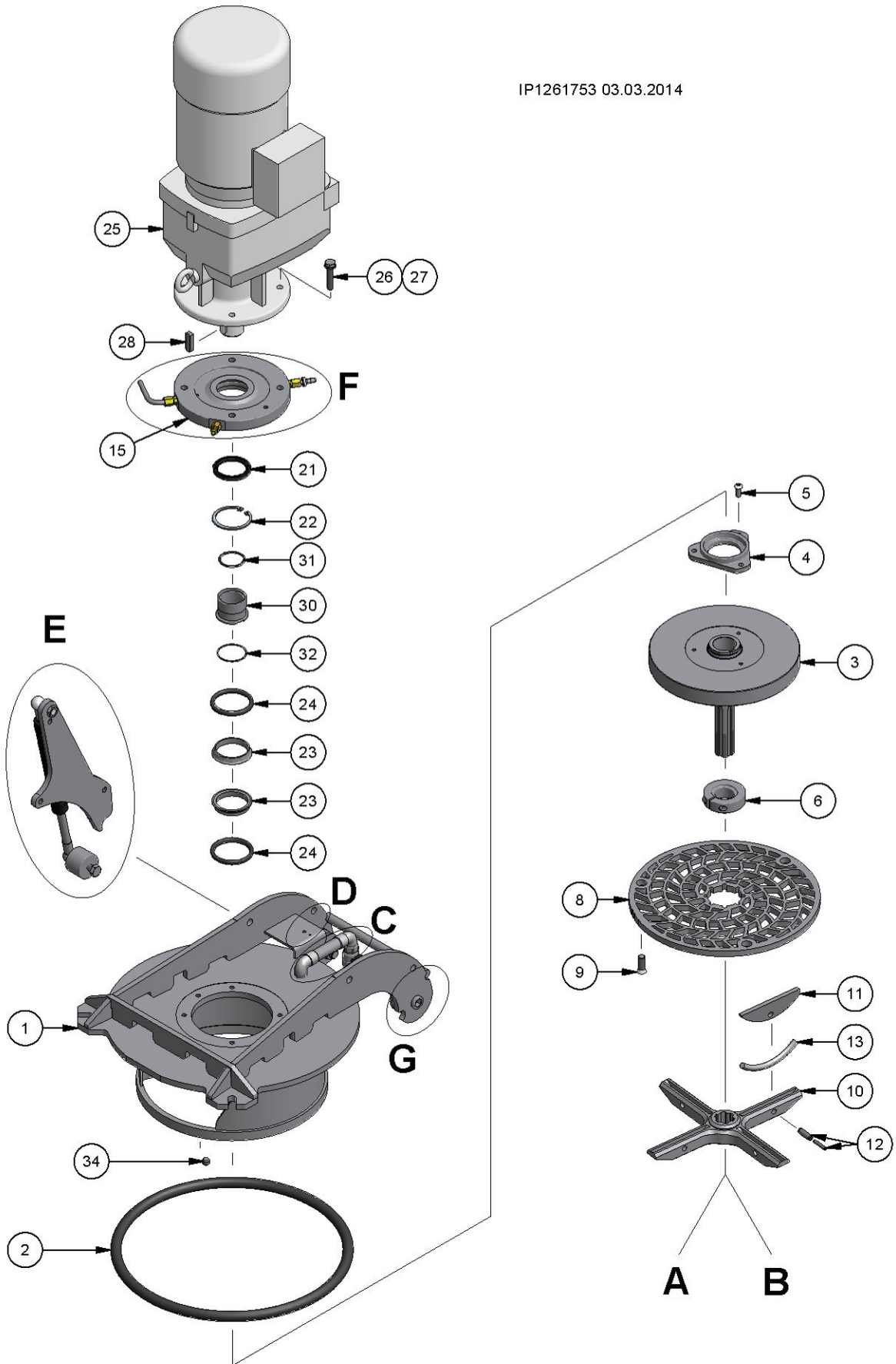
The registered trademarks are not always designated with an ® symbol in this document.

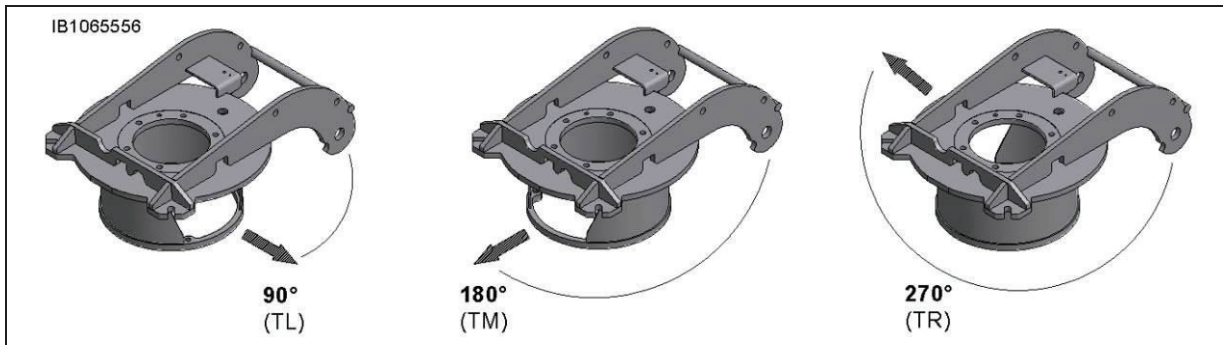
Contents

Figure: Cutter head	4
Cutter head	5
Position 1	5
O-ring cutter head	5
Position 2	5
Flywheel and accessories	5
Position 3-6	5
Option: External gap sealing	6
Cutting screen	7
Position 8-9	7
Blade rotor	7
Position 10	7
Blade and accessories	7
Position 11-13	7
Adapter geared motor	8
Detail F	8
Pos. 15-22	8
Mechanical seal	8
Position 23-24	8
Geared motor and accessories	9
Position 25-29	9
Inner ring unit	9
Position 30-34	9
Ball valve	9
Detail C	9
Position 38-40	9
Manual preload	10
Detail A	10
Pos. 46.1-52.1	10
Manual preload: oil supply for mechanical seal	10
Pos. 55-63	10
Preload ACC (Automatic Cut Control)	11
Detail B	11
Position 46-57	11
Figure: ACC pressure transmission unit	12
ACC pressure transmission unit	13
Pos. 58-83	13
Holder pressure transmission unit	14
Position 84-88	14
Pot	15
Position 90	15
INLINE	15
Cyclone separator	16
Blind flange + accessories	17
Position 91-95	17
Adaptor flange DIN/ANSI	18
Position 100-107	18
Safety switch	19
Detail D	19
Position 115-118	19
Gas spring	20
Detail E	20
Pos. 128-135	20
Pivot	21
Detail G	21
Position 136-140	21
Clamping fastener	22
Detail H	22
Position 160-164	22
Accessories	22
Pos. 180-182	22
Safety sticker	23
Tools	24
Operating material	24
Required spare parts for mechanical seal change	25
Necessary spare parts for blade change	26
Required spare parts for wear part replacement	27

Figure: Cutter head

IP1261753 03.03.2014





Cutter head
Position 1

Pos.	Part number	Description	Dimensions	Notes	Rep.	S ^(a)	E ^(a)	L ^(a)
1.0038 galvanised								
1	GSK0141	Cutter head	180° (TM)			1	-	-
	GSK0144	Cutter head	90° (TL)					
	GSK0145	Cutter head	270° (TR)					
1.0038 painted								
1	GSK0142	Cutter head	180° (TM)			-	-	1
1.4571								
1	GSK0143	Cutter head	180° (TM)			-	1	-

O-ring cutter head
Position 2

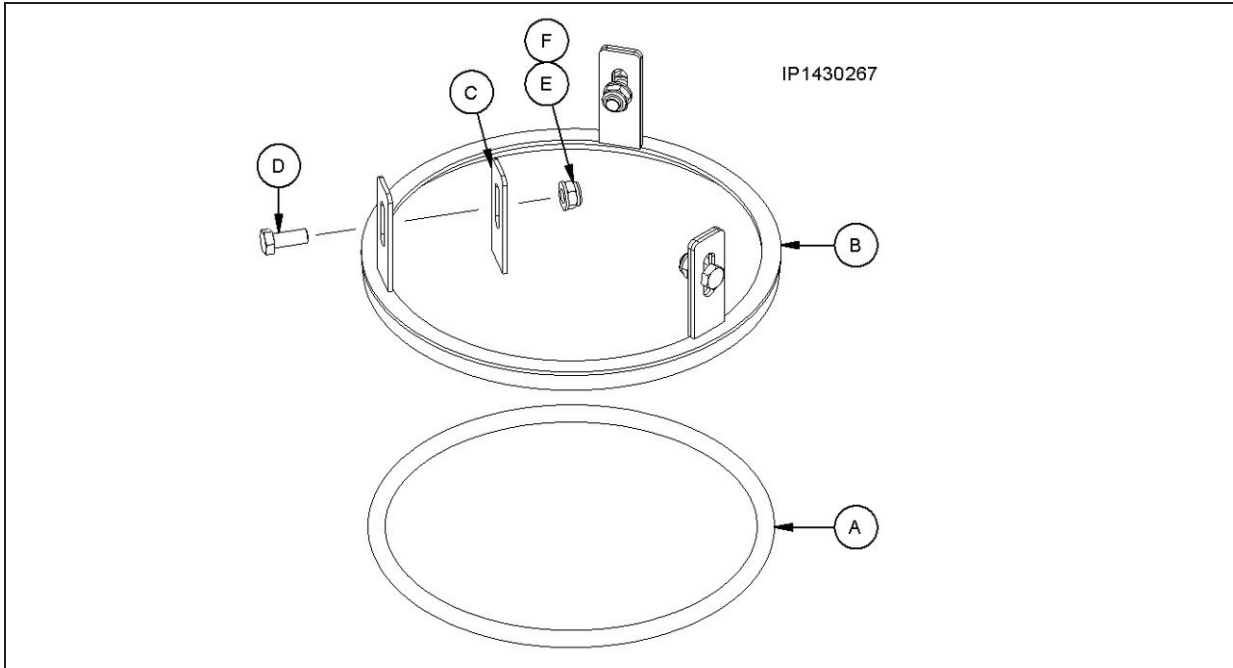
Pos.	Part number	Description	Dimensions	Notes	Rep.	S ^(a)	E ^(a)	L ^(a)
2	DOR0022	O-ring	393 x 18	NBR			1	
	DOR.074.SI	O-ring	407 x 18	MVQ				

Flywheel and accessories
Position 3-6

Pos.	Part number	Description	Dimensions	Notes	Rep.	S ^(a)	E ^(a)	L ^(a)
3	GSW.017	Flywheel		Included Pos. 4 + 5			1	
4	PRS.113	Adjusting ring					1	
5	NSI.134.E	Pan head screw	M8 x 20	ISO 7380			3	
Steel								
6	GAS.019	Internal gap seal		1.0038		1	-	1
	NSI.006	Cylinder head bold	M 10 x 30	Contained in GAS.019		1	-	1
Stainless steel								
6	GAS.019.E	Internal gap seal		1.4571		-	1	-
	NSI.034	Cylinder head bold	M 10 x 30	Contained in GAS.019.E		-	1	-

(a Design: S = steel, galvanised; E = stainless steel; L = steel, painted

Option: External gap sealing



Pos.	Part number	Description	Dimensions	Notes	Rep.	S ^(a)	E ^(a)	L ^(a)
	GAS.014.T1	External gap sealing		Steel		(1)	-	(1)
	GAS.014.T1.E	External gap sealing		Stainless steel		-	(1)	
A	DOR.132	O-ring	Ø 330 mm x 12 mm				1	
B	GVE.002.T1	Welded assembly		1.0038		1	-	1
	GVE.002.T1.E	Welded assembly		1.4571		-	1	
C	GFL.548.T1	Bracket		1.0038		3	-	3
	LFL.548.T1.E	Bracket		1.4571		-	3	
D	NSK.027	Hexagon head bolt	M 10 x 25			3	-	3
	NSK.027.EE	Hexagon head bolt	M 10 x 25			-	3	
E	NMK.001	Hexagon nut	M 10			3	-	3
	NMK.001.EE	Hexagon nut	M 10			-	3	
F	NUS.004	Washer	A 10,5 x 20 x 2			3	-	3
	NUS.004	Washer	A 10,5 x 20 x 2			-	3	

(a Design: S = steel, galvanised; E = stainless steel; L = steel, painted

5000 geared motor

Cutting screen**Position 8-9**

Pos.	Part number	Description	Dimensions	Notes	Rep.	S ^(a)	E ^(a)	L ^(a)
Steel								
8	GFL.421.N1.M9	Cutting screen	Max. ø 24 mm	Medium; t = 12 mm		1	-	1
	GFL.430.N1.M9	Cutting screen	Max. ø 15 mm	Fine				
	GFL.150.N3.M9	Cutting screen	Max. ø 30 mm	Coarse				
	GFL.543.M9	Cutting screen	Max. ø 4 mm	Honey combs				
	GFL.572.M9	Cutting screen	Max. ø 6 mm	Honey combs				
	GFL.499.N1.M9	Cutting screen	Max. ø 8 mm	Honey combs				
	GFL.511.N1.M9	Cutting screen	Max. ø 10 mm	Honey combs				
	GFL.497.M9	Cutting screen	Max. ø 12 mm	Honey combs				
GFL.493.M9	Cutting screen	Max. ø 15 mm	Honey combs					

Stainless steel

8	GFL.421.N1.E3	Cutting screen	Max. ø 24 mm	Medium; t=12 mm		-	1	-
	GFL.430.N1.E3	Cutting screen	Max. ø 15 mm	Fine				
	GFL.150.N3.E3	Cutting screen	Max. ø 30 mm	Coarse				
	GFL.543.E3	Cutting screen	Max. ø 4 mm	Honey combs				
	GFL.572.E3	Cutting screen	Max. ø 6 mm	Honey combs				
	GFL.499.N1.E3	Cutting screen	Max. ø 8 mm	Honey combs				
	GFL.511.N1.E3	Cutting screen	Max. ø 10 mm	Honey combs				
	GFL.497.E3	Cutting screen	Max. ø 12 mm	Honey combs				
GFL.493.E3	Cutting screen	Max. ø 15 mm	Honey combs					
		Max. ø = max. free passage						
9	GRS.203.EE	Clamp bolt				3	3	3
	GRS.202	Spring pin				3	-	3
	GRS.202.EE	Spring pin				-	3	-

Blade rotor**Position 10**

Pos.	Part number	Description	Dimensions	Notes	Rep.	S ^(a)	E ^(a)	L ^(a)
10	GFM.021.N2	Blade rotor		4 wings; groove 8 mm		1		
	GFM.003.N2	Blade rotor		3 wings; groove 8 mm				
	GFM.009.N2.T1	Blade rotor		6 wings; groove 5 mm				

Blade and accessories**Position 11-13**

Pos.	Part number	Description	Dimensions	Notes	Rep.	S ^(a)	E ^(a)	L ^(a)
11	GSM.005	Blade	8 mm			4 3*	-	4 3*
	GSM.005.E4	Blade	8 mm	Stainless steel		4 / 3*		
	GSM.005.T1.E4	Blade	8 mm	Stainless steel; High version only for ACC!				
	GSM.015.T1.E4	Blade	5 mm	Stainless steel; High version only for ACC!		6**		
12	NSP.006	Spring pin	10 x 30	→ GSM.005		4 3*	-	4 3*
12	NSP.030.E	Spring pin	10 x 30	→ GSM.005.E4 → GSM.005.T1.E4		4 / 3* / 6**		
	NSP.031.E	Spring pin	6 x 30	→ GSM.015.T1.E4		4 / 3* / 6**		
13	ZDFD.390.0135	Polyethylene cord				4 / 3* / 6**		

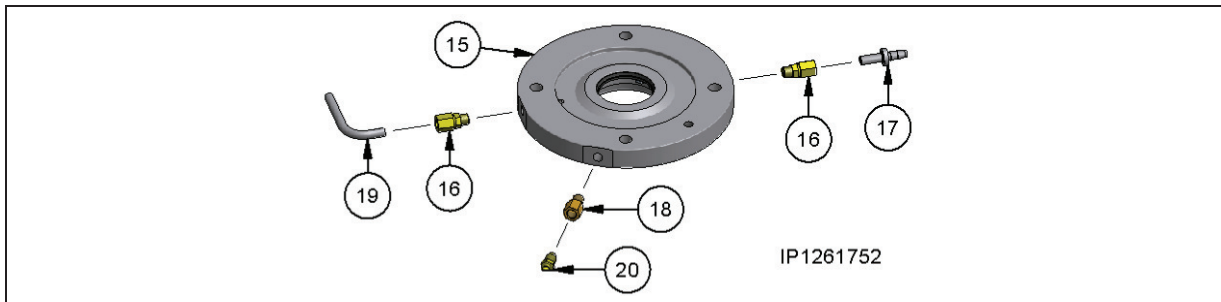
* Quantities or parts in case of rotor with 3 wings

** Quantities or parts in case of rotor with 6 wings

(a Design: S = steel, galvanised; E = stainless steel; L = steel, painted

Adapter geared motor

Detail F



Pos. 15-22

Pos.	Part number	Description	Dimensions	Notes	Rep.	S ^(a)	E ^(a)	L ^(a)
15-22	GRT0013	Adaptor; pre-installed		1.0038 galvanized		x	-	x
	GRT0014	Adaptor; pre-installed		1.4574		-	x	-
15	GRS0043	Adaptor		1.0038 galvanised		1	-	1
	GRS0044	Adaptor		1.4571		-	1	-
16	NGE.058	Coupling					2	
17	NGE.120	Barbed fitting	BEL; DN6				1	
18	GRS.207	Coupling	8 x 1				1	
19	PRS.116	Inspection pipe					1	
20	NLV.001	Breather valve					1	
21	DWD.054	Radial shaft seal ring	50 x 65 x 7	NBR			1	
22	NSR.015	Retaining ring	1 65 x 2.5				2	

Mechanical seal

Position 23-24

Pos.	Part number	Description	Dimensions	Notes	Rep.	S ^(a)	E ^(a)	L ^(a)
23	DGL.D003.N1	Mechanical seal	76.97-H3200	Duronit			2	
	DGL.D003.SC	Mechanical seal	76.97-H3200	SiSiC (silicon carbide)				
24	DOR.024.HNB	O-ring	58 x 73 x 7.5	HNBR			2	
	DOR.024.VI	O-ring	58 x 73 x 7.5	FPM				

(a Design: S = steel, galvanized; E = stainless steel; L = steel, painted

Geared motor and accessories

Position 25-29

Pos.	Part number	Description	Dimensions	Notes	Rep.	S ^(a)	E ^(a)	L ^(a)
25	AGM1178	Geared motor	SK32FVL-90LH/4TF	1,5 kW; 76 min ⁻¹		1		
	AGM1179	Geared motor	SK32FVL-100LH/4TF	2,2 kW; 183 min ⁻¹				
	AGM1180	Geared motor	SK32FVL-100LH/4TF	2,2 kW; 274 min ⁻¹				
	AGM1181	Geared motor	SK32FVL-100LH/4TF	2,2 kW; 326 min ⁻¹				
	AGM1182	Geared motor	SK32FVL-100AH/4TF	3 kW; 270 min ⁻¹				
	AGM1183	Geared motor	SK32FVL-112MH/4TF	4 kW; 262 min ⁻¹				
	AGM1184	Geared motor	SK32FVL-132SH/4TF	5,5 kW; 330 min ⁻¹				
	NGE0060	Vent screw for geared motor					x	
25.1	DWD.075	Radial shaft seal ring	50 x 80 x 10	Contained in geared motor			1	
26	NSK.005	Hexagon head bolt	M 10 x 50			4	-	4
	NSK.177	Hexagon head bolt	M 10 x 50	Stainless steel		-	4	-
27	NUS.004	Washer	10.5 x 20 x 2			4	-	4
	NUS.004.EE	Washer	10.5 x 20 x 2	Stainless steel		-	4	-
28	NPF0016	Fitting key	AB 12 x 8 x 52				1	

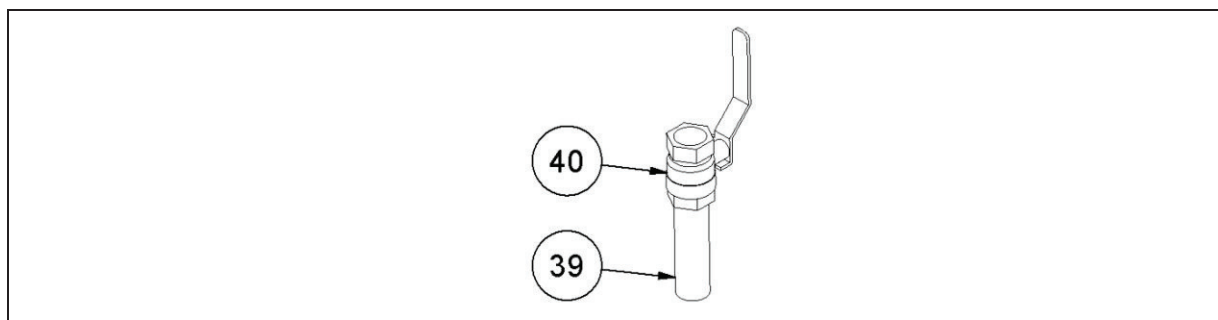
Inner ring unit

Position 30-34

Pos.	Part number	Description	Dimensions	Notes	Rep.	S ^(a)	E ^(a)	L ^(a)
30	IBA1373	Inner ring unit					1	
31	DOR0264	O-ring	Ø 37 mm x 3.5 mm	NBR			1	
32	DOR0263	O-ring	Ø 48 mm x 2. mm	NBR			1	
34	NGS0040	Slotted set screw	M 12 x 10	EN 24766		1	-	1
	NGS0037	Slotted set screw	M 12 x 16	DIN 913; A4		-	1	-

Ball valve

Detail C



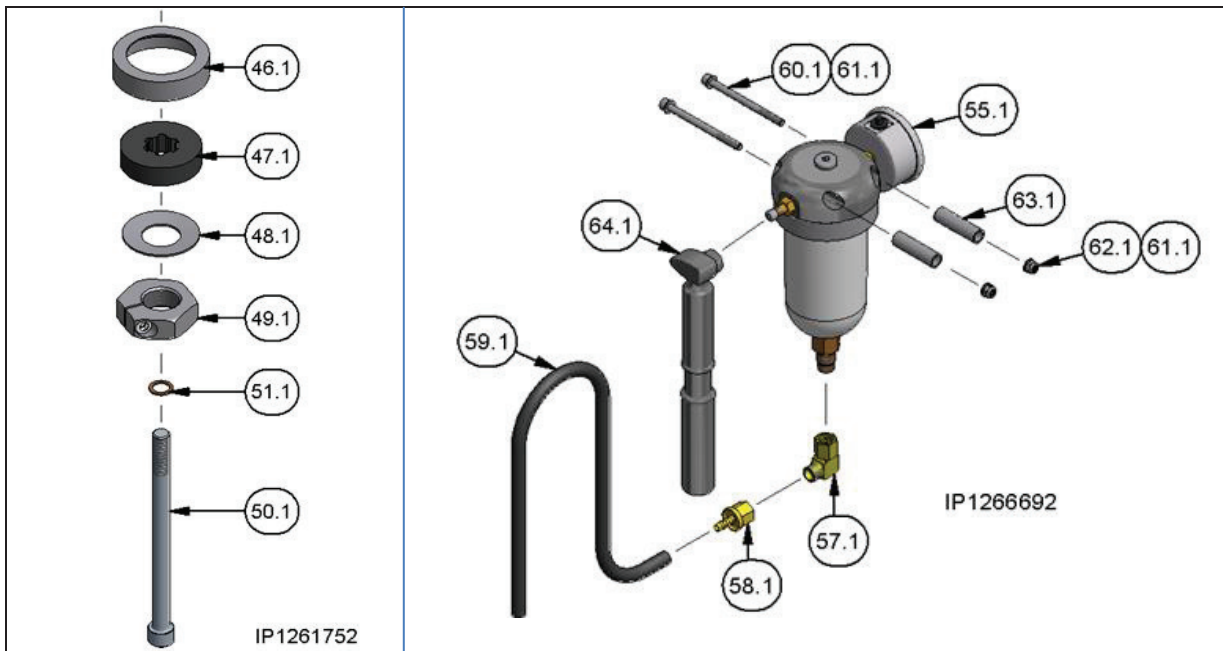
Position 38-40

Pos.	Part number	Description	Dimensions	Notes	Rep.	S ^(a)	E ^(a)	L ^(a)
39	HRS0253	Pipe double nipple	3/4 inch x 100 mm			1	-	1
	NVE0038	Pipe double nipple	3/4 inch x 100 mm	1.4571		-	1	-
40	GHN.013	Ball valve	3/4 inch				1	

(a Design: S = steel, galvanised; E = stainless steel; L = steel, painted

Manual preload

Detail A



Pos. 46.1-52.1

Pos.	Part number	Description	Dimensions	Notes	Rep.	S ^(a)	E ^(a)	L ^(a)
46.1	PRS.100	Protection for rubber discs + spring washers					1	
47.1	DFD.110	Rubber disc					1	
48.1	NTF.001	Spring washer					1	
49.1	NMS.016	Tensioning nut		With locking screw			1	
50.1	NSI.051	Cylinder head bolt	M 16 x 220			1	-	1
	NSI.051.E	Cylinder head bolt	M 16 x 220	Stainless steel		-	1	-
51.1	DKR.005	Copper ring	C 16 x 22 x 2	DIN 7603			1	

Manual preload: oil supply for mechanical seal

Pos. 55-63

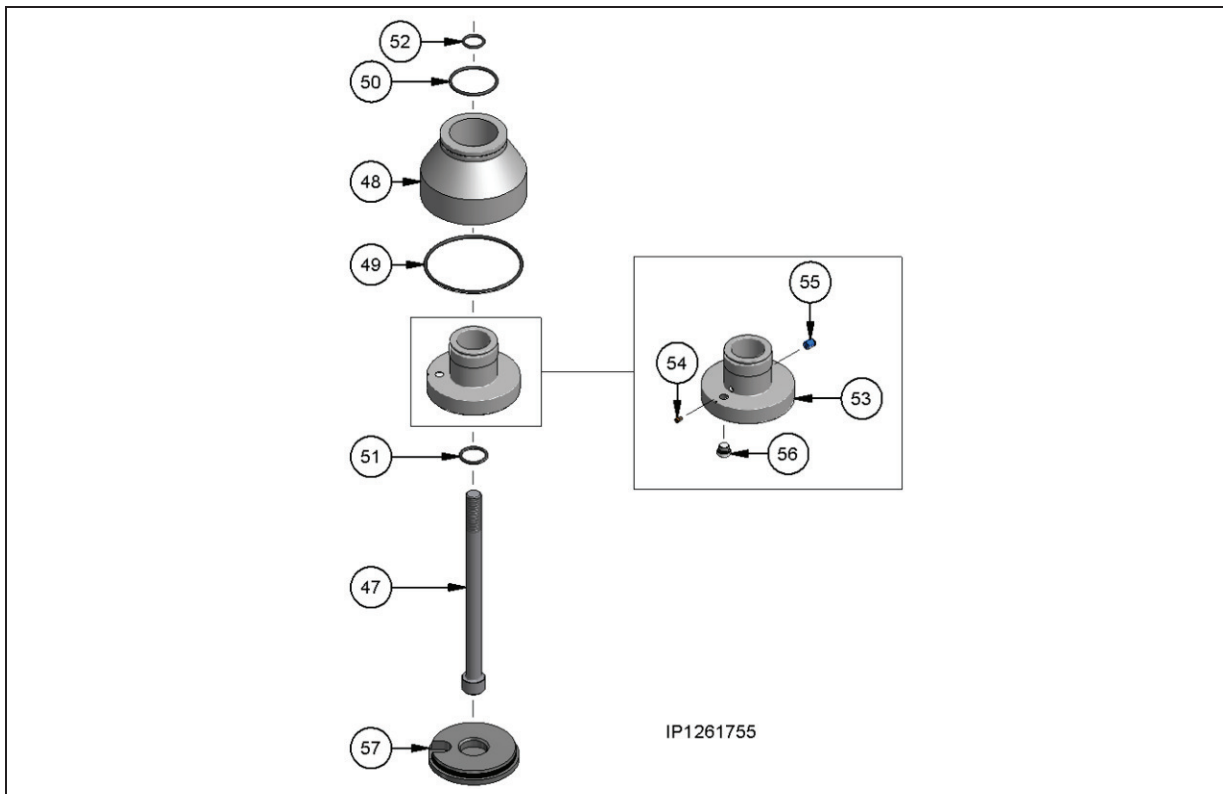
Pos.	Part number	Description	Dimensions	Notes	Rep.	S ^(a)	E ^(a)	L ^(a)
55.1	PSG0004	Oil tank				1	-	1
	DOR.147	O-ring	68 x 3	Included in PSG0004		(1)	-	(1)
57.1	NGE.086	Elbow coupling	EEL 08L	Pre-installed		1	-	1
58.1	NVR.003	Seal bonnet				1	-	1
59.1	HSC.015 ⁽⁵⁾	Plug-in hose	DN 6					1,1 m
60.1	NSI0048	Cylinder head bolt	M 6 x 85	ISO 4762		2	-	2
61.1	NUS.002	Washer	A 6,4 x 12 x 1,6	DIN 125		4	-	4
62.1	NMK.001	Hexagon nut	M 6	DIN 985		2	-	2
63.1	HRS.104	Pipe cut				2	-	2
	AHP.001	Manual air pump					1	

⁽⁵⁾ Please specify length when spare parts order!

(a Design: S = steel, galvanised; E = stainless steel; L = steel, painted

Preload ACC (Automatic Cut Control)

Detail B

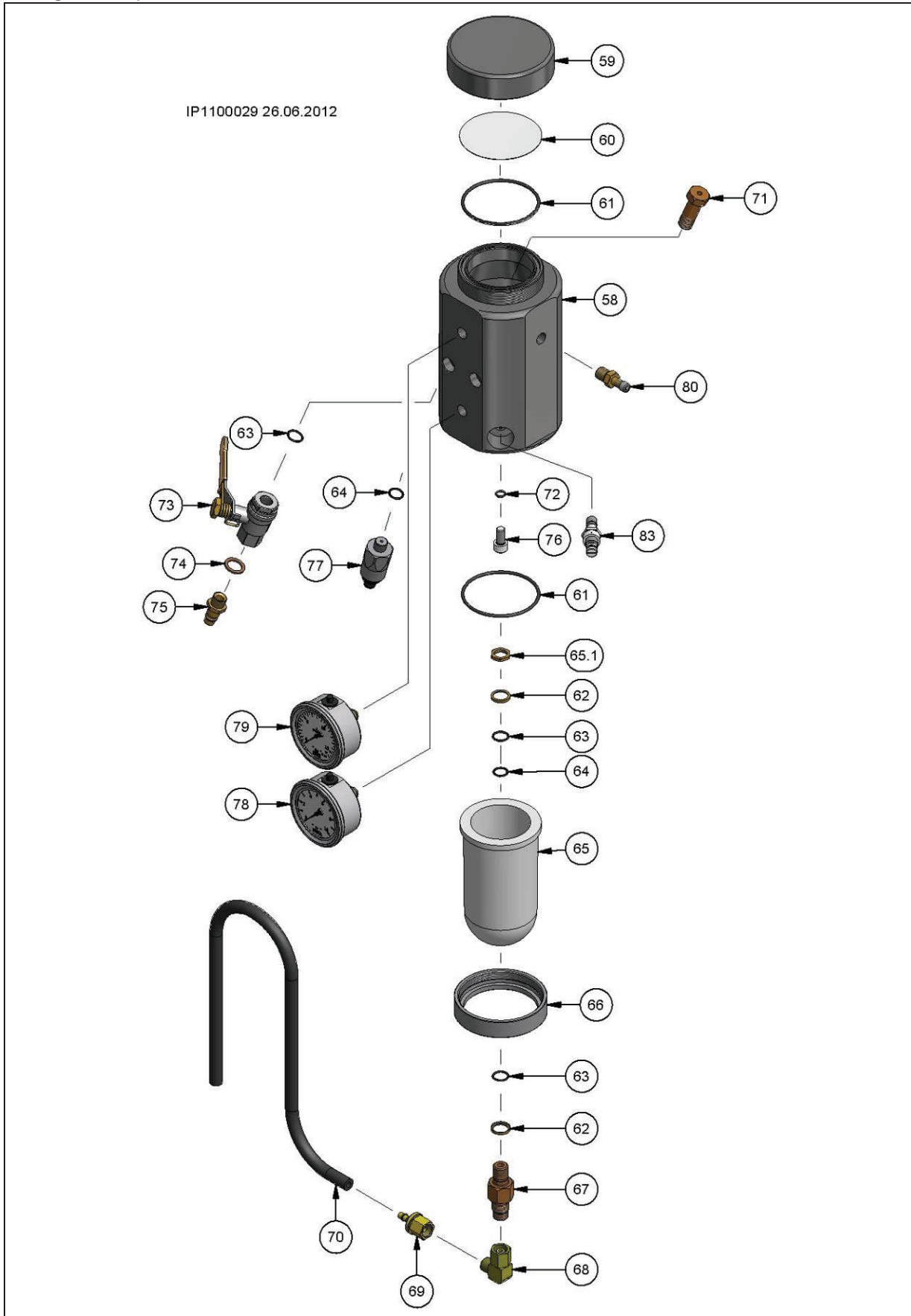


Position 46-57

Pos.	Part number	Description	Dimensions	Notes	Rep.	S ^(a)	E ^(a)	L ^(a)
46	NUS.098.E	Shim	75 x 36 x 1	Option			0-4	
47	NSI.097	Cylinder head bolt	M 16 x 230	ISO 4762		1	-	1
	NSI.097.E	Cylinder head bolt	M 16 x 230	ISO 4762		-	1	-
	GRT.001.N2	ACC complete		Contains pos. 48 - 57				
48	GRS.079.E.N2	ACC cylinder		18 mm stroke			1	
NBR								
49	DOR.046	O-ring	96 x 3	NBR			1	
50	DOR.072	O-ring	45 x 3	NBR			1	
51	DOR.021	O-ring	24 x 3	NBR			1	
52	DOR.079	O-ring	18.4 x 2.7	NBR			1	
FPM (Option)								
49	DOR.046.VI	O-ring	96 x 3	FPM			1	
50	DOR.072.VI	O-ring	45 x 3	FPM			1	
51	DOR.021.VI	O-ring	24 x 3	FPM			1	
52	DOR.079.VI	O-ring	18.4 x 2.7	FPM			1	
	GRT.006.N1	ACC piston pre-installed		Contains pos. 53-56				
53	GRS.078.E.N2	ACC piston		18 mm stroke			1	
54	GRS.146	Throttle					1	
	GRS.147	Screw plug	M 4 x 7	(Option)				
55	PSV.006	Check valve					1	
56	NSK0005	Screw plug					1	
57	NST0002	Protective cap					1	

(a Design: S = steel, galvanised; E = stainless steel; L = steel, painted

Figure: ACC pressure transmission unit



5000 geared motor

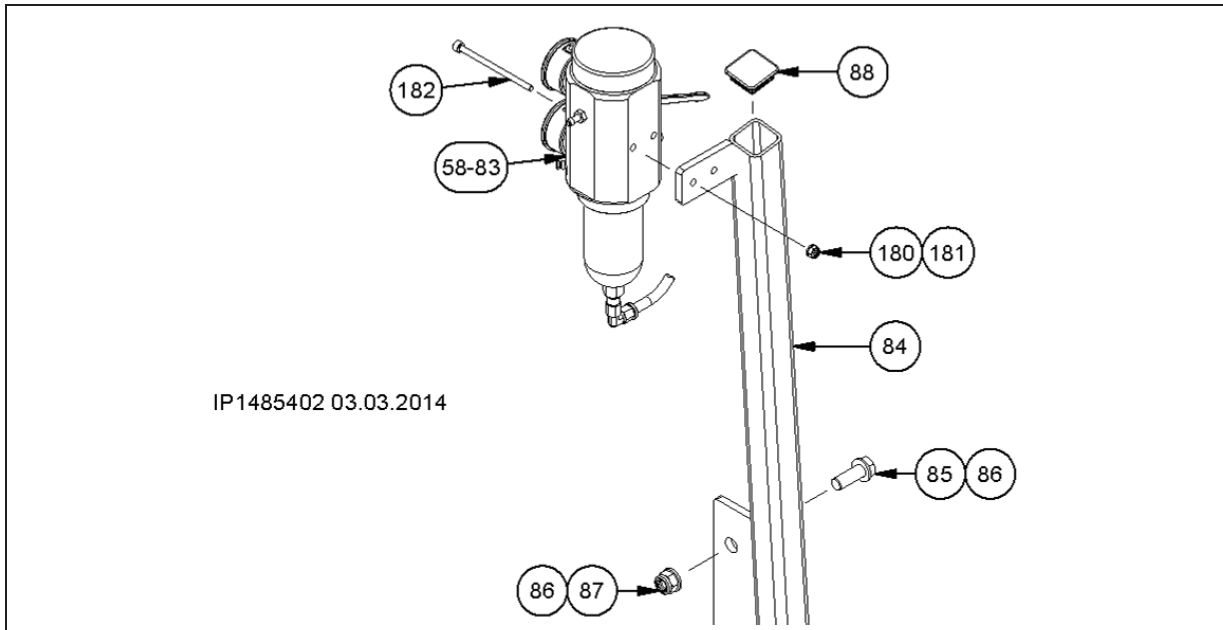
ACC pressure transmission unit

Pos. 58-83

Pos.	Part number	Description	Dimensions	Notes	Rep.	S ^(a)	E ^(a)	L ^(a)
	GRT0060	Pressure transmission unit		Includes pos. 58-83				
58	GRS0195	Housing					1	
59	GRS0171	Cover					1	
60	RFL3683	Sealing plate					1	
61	DOR.147	O-ring	68 x 3	NBR			2	
62	NDR.001	Support ring	M12				2	
63	DOR.040	O-ring	12 x 2				2	
64	DOR.104	O-ring	11 x 1.5				3	
65	AHA.027	Oil tank					1	
65.1	NMS0014	Flat nut	M14 x 1				1	
66	NGE0076	Threaded ring					1	
67	PRS0033	Coupling					1	
68	NGE.086	Elbow coupling	EEL 08L				1	
69	NVR.003	Seal bonnet	DKL, DN6				1	
70	HKU0013	Hose	DN 6 x 1100 mm				1	
71	PRS0397	Hollow screw	¼ inch				1	
72	DOR.128	O-ring	7.5 x 1.5				1	
73	GHN.057	Ball valve	¼"				1	
74	DKR.006	Sealing ring	A 14 x 20 x 1.5	DIN 7603			1	
75	NGE.088	Pneumatic plug nipple					1	
76	NSI0023	Cylinder head bolt	M8 x 16				1	
77	SDS0003	Normally closed contact for pressure control switch	24 V	1 to 10 bar			1	
	EKT0012	Plug with cable (5 m)	M12				1	
78	SMD.049	Pressure gauge		0 to 10 bar			1	
79	SMD0029	Pressure gauge		0 to 16 bar			1	
80	NGE0109	Screwed valve					1	
83	APV0022	Pressure regulator hollow screw	G1/8	1-8 bar			1	
	AHP.002	Manual air pump					1	

(a Design: S = steel, galvanised; E = stainless steel; L = steel, painted

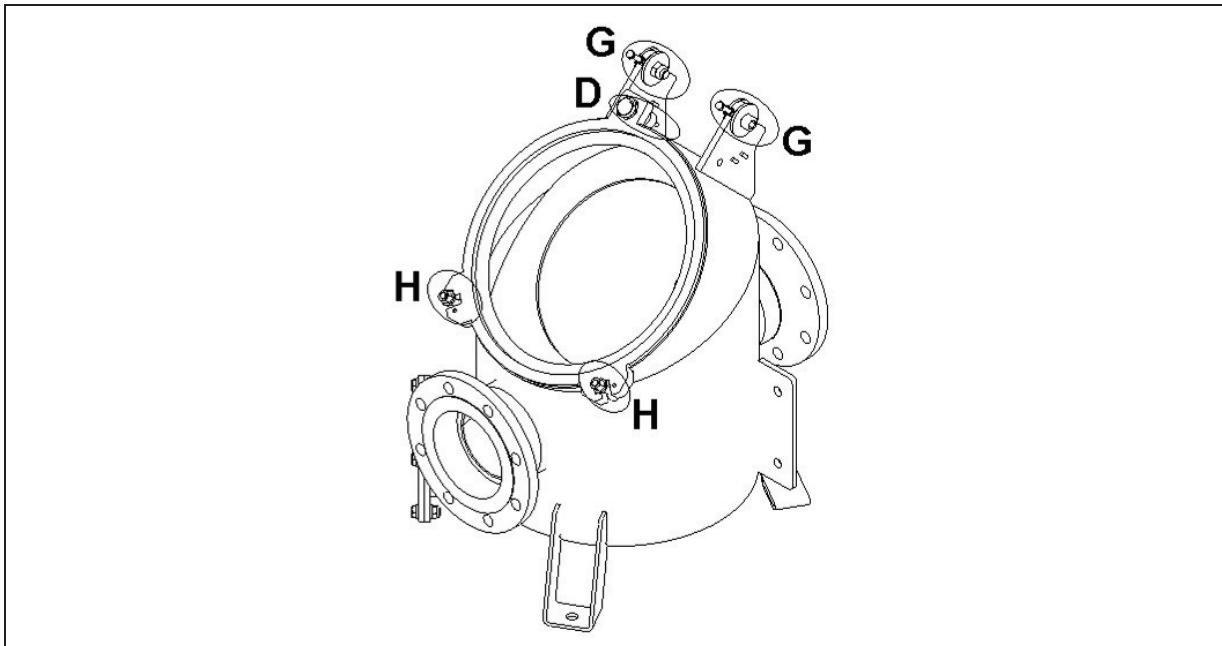
Holder pressure transmission unit
Position 84-88



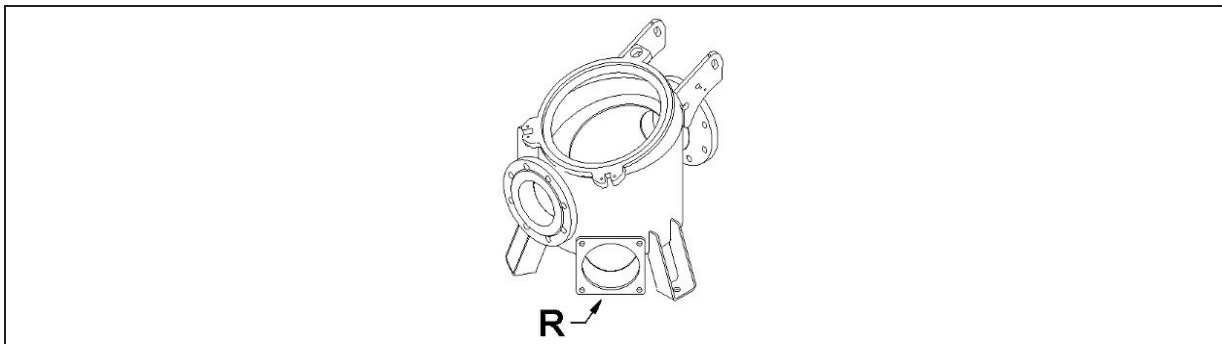
Pos.	Part number	Description	Dimensions	Notes	Rep.	S ^(a)	E ^(a)	L ^(a)
84	RCS0108	Holder		1.0038 galvanised		1	-	-
	RCS0109	Holder		1.4571		-	1	-
	RCS0140	Holder		1.0038 painted		-	-	1
85	NSK.054	Hexagon head bolt	M 16 x 45	DIN 933		2	-	2
	NSK.054.EE	Hexagon head bolt	M 16 x 45	DIN 933		-	2	-
86	NUS.007	Washer	A; 17 x 30 x 3	DIN 125		4	-	4
86	NUS.007.EE	Washer	A; 17 x 30 x 3	DIN 125		-	4	-
87	NMK.007	Hexagon nut	M 16	DIN 985		2	-	2
	NMK.007.EE	Hexagon nut	M 16	DIN 985		-	2	-
88	NST0003	Square pipe plug	50 x 50 x 14 x 5			1	1	1

(a Design: S = steel, galvanised; E = stainless steel; L = steel, painted

Pot
Position 90



INLINE



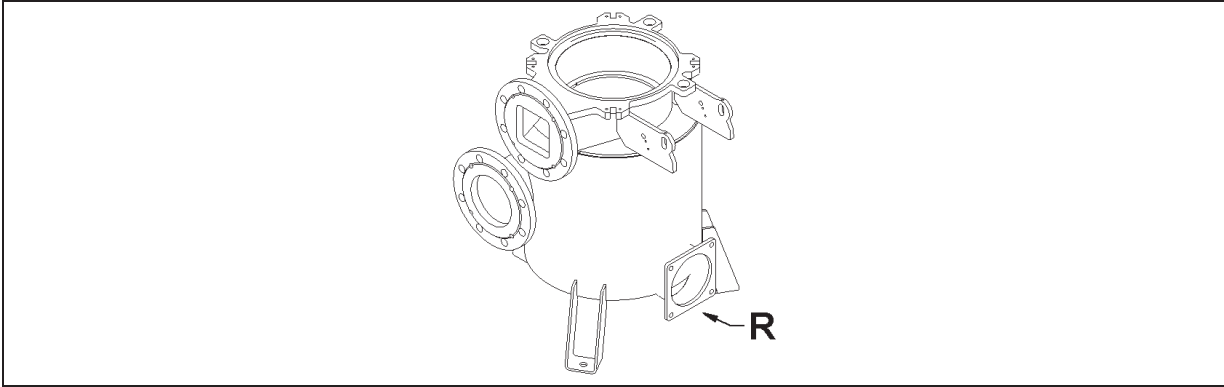
R1: Cleaning port 6 inch + blind flange 6 inch (pos. 91-94)
R2: Cleaning port 6 inch + adaptor flange 6 inch DIN/ ANSI (pos.100-107)

Pos.	Part number	Description	Dimensions	Notes	Rep.	S ^(a)	E ^(a)	L ^(a)
1.0038 galvanised								
90	GRC0341	Pot Inline	DN 125/ DN125	(* left		1	-	-
	GRC0334	Pot Inline	DN 150/ DN 150	(* right				
	GRC0337	Pot Inline	DN 150/ DN 150	(* left				
	GRC0339	Pot Inline	6 inch/ 6 inch (ANSI-Flansch)	(* right				
	GRC0340	Pot Inline	6 inch/ 6 inch (ANSI-Flansch)	(* left				
1.4571								
90	GRC0335	Pot Inline	DN 150/ DN 150	(* right		-	1	-
	GRC0338	Pot Inline	DN 150/ DN 150	(* left				
	GRC0355	Pot Inline	DN 100/ DN 100	(* right				
	GRC0388	Pot Inline	6 inch/ 6 inch (ANSI flange)	(* right				
	GRC0389	Pot Inline	6 inch/ 6 inch (ANSI flange)	(* left				
1.0038 painted								
90	GRC0336	Pot Inline	DN 150/ DN 150	(* right		-	-	1

(* Position of cleaning port

(a Design: S = steel, galvanised; E = stainless steel; L = steel, painted

Cyclone separator



R: Cleaning port 8 inch + blind flange 8 inch (pos. 91-95)

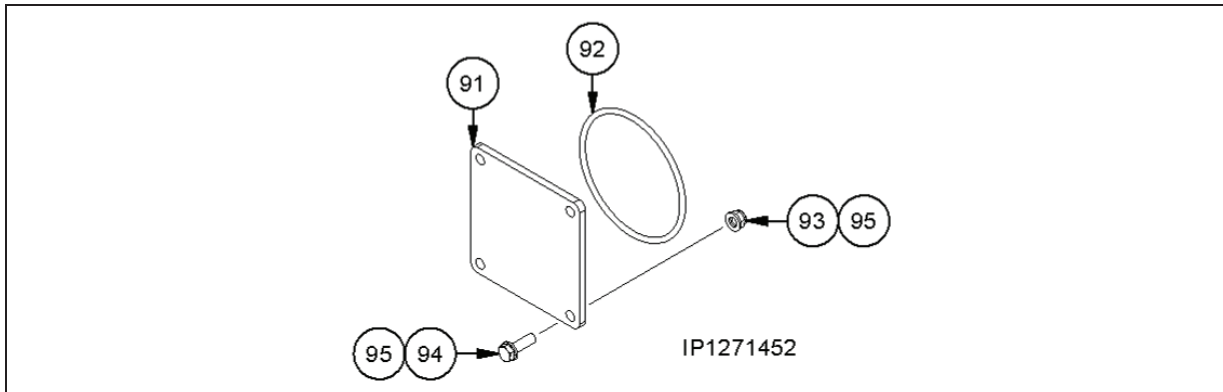
Pos.	Part number	Description	Dimensions	Notes	Rep.	S ^(a)	E ^(a)	L ^(a)
1.0038 galvanised								
90	GRC0347	Cyclone separator	DN 200/ DN 200	(**		1	-	-
	GRC0378	Cyclone separator	DN 200/ DN 200	Mounting of three-point base (**				
1.0038 painted								
90	GRC0380	Cyclone separator	DN 200/ DN 200	(**		1	-	-
	GRC0381	Cyclone separator	DN 200/ DN 200	Mounting of three-point base (**				

(** custom welded as per TINF.RC.005.DE.EN

(a Design: S = steel, galvanised; E = stainless steel; L = steel, painted

Blind flange + accessories

Position 91-95



6 inch

Pos.	Part number	Description	Dimensions	Notes	Rep.	S ^(a)	E ^(a)	L ^(a)
91-95	GAS0001	Mounting kit blind flange	6 inch	NBR; 1.0038 galvanised		x	-	-
	GAS0002	Mounting kit blind flange	6 inch	NBR; 1.4571		-	x	-
	GAS0004	Mounting kit blind flange	6 inch	NBR; 1.0038 painted		-	-	x
	GAS0031	Mounting kit blind flange	6 inch	MVQ; 1.0038 galvanised		x	-	-
	GAS0032	Mounting kit blind flange	6 inch	MVQ; 1.4571		-	x	-
	GAS0033	Mounting kit blind flange	6 inch	MVQ; 1.0038 painted		-	-	x
91	GFL.459	Blind flange	6 inch	1.0038 galvanised		1	-	-
	GFL.459.E	Blind flange	6 inch	1.4571		-	1	-
	GFL0216	Blind flange	6 inch	1.0038 painted		-	-	1
92	DOR.016	O-ring	160 x 7	NBR		1	1	1
	DOR.016.SI	O-ring	160 x 7	MVQ; FEP coated				

8 inch

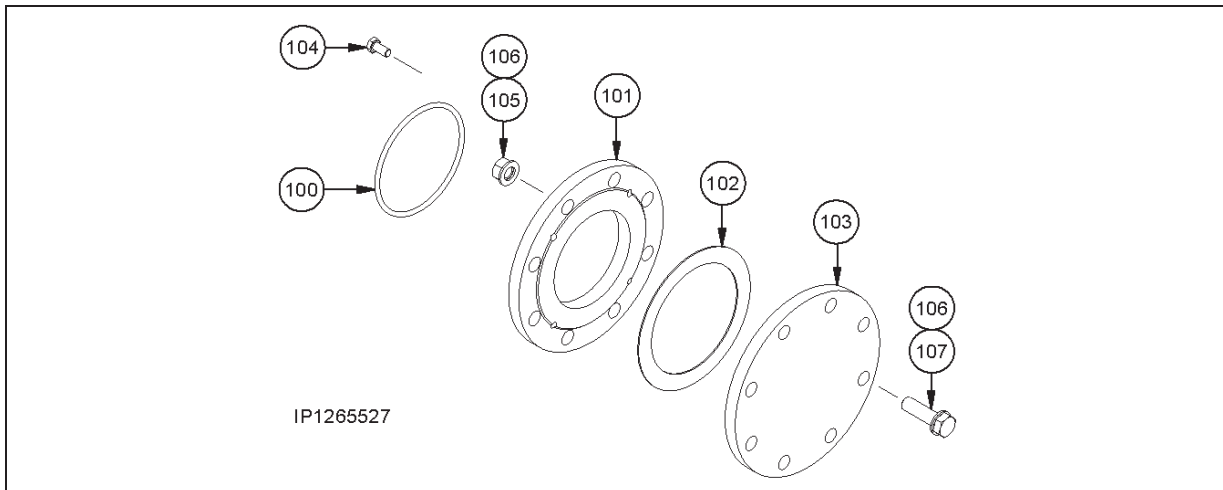
Pos.	Part number	Description	Dimensions	Notes	Rep.	S ^(a)	E ^(a)	L ^(a)
91-95	GAS0005	Mounting kit blind flange	8 inch	NBR; 1.0038 galvanised		x	-	-
	GAS0006	Mounting kit blind flange	8 inch	NBR; 1.4571		-	x	-
	GAS0008	Mounting kit blind flange	8 inch	NBR; 1.0038 painted		-	-	x
	GAS0034	Mounting kit blind flange	8 inch	MVQ; 1.0038 galvanised		x	-	-
	GAS0035	Mounting kit blind flange	8 inch	MVQ; 1.4571		-	x	-
	GAS0036	Mounting kit blind flange	8 inch	MVQ; 1.0038 painted		-	-	x
91	GFL.011.T1	Blind flange	8 inch	1.0038 galvanised		1	-	-
	GFL.011.E.T1	Blind flange	8 inch	1.4571		-	1	-
	GFL.011.FS	Blind flange	8 inch	1.0038 painted		-	-	1
92	DOR.018	O-ring	204 x 7	NBR		1	1	1
	DOR.018.SI	O-ring	202,6 x 6,9	MVQ; FEP coated				

Pos.	Part number	Description	Dimensions	Notes	Rep.	S ^(a)	E ^(a)	L ^(a)
Steel								
93	NMK.002	Hexagon nut	M 12	DIN 985		4	-	4
94	NSK.030.E	Hexagon head bolt	M 12 x 40	DIN 933		4	-	4
95	NUS.005	Washer	A; 13 x 24 x 2,5	DIN 125		4	-	4
Stainless steel								
93	NMK.002.EE	Hexagon nut	M 12	DIN 985		-	4	-
94	NSK.030.E	Hexagon head bolt	M 12 x 40	DIN 933		-	4	-
95	NUS.005.E	Washer	A; 13 x 24 x 2,5	DIN 125		-	4	-

(a Design: S = steel, galvanised; E = stainless steel; L = steel, painted

Adaptor flange DIN/ANSI

Position 100-107

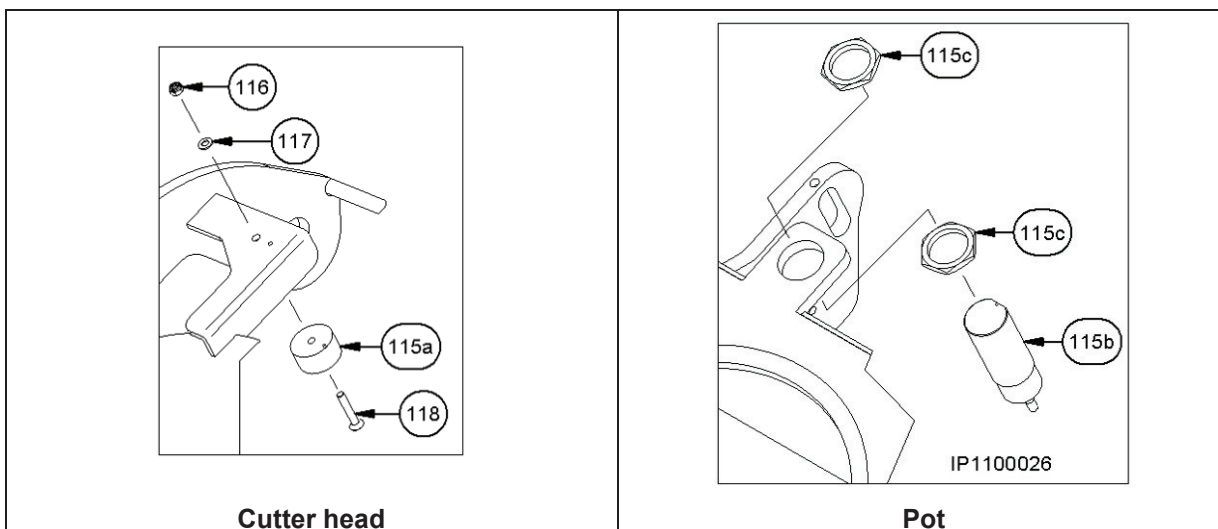


Pos.	Part number	Description	Dimensions	Notes	Rep.	S ^(a)	E ^(a)	L ^(a)
1.0038								
100	DOR.016	O-ring	160 x 7	NBR		1	-	1
101	GFL0165	Adaptor flange	DN 150 – ANSI 6 inch	1.0038 galvanised		1	-	-
	GFL0202	Adaptor flange	DN 150 – ANSI 6 inch	1.0038 painted		-	-	1
102	DFD.054	Flange gasket	DN 150			1	-	1
103	GFL.947	DIN blind flange	DN 150	1.0038 galvanised		1	-	1
	GFL0201	DIN blind flange	DN 150	1.0038 painted		1	-	1
104	NSK.042	Hexagon head bolt	M 12 x 25			4	-	4
105	NMS.007	Hexagon nut	M 20			8	-	8
106	NUS.008	Washer	A 21 x 37 x 3			16	-	16
107	NSK.103	Hexagon head bolt	M 20 x 70			8	-	8
1.4571								
100	DOR.016	O-ring	160 x 7	NBR		-	1	-
101	GFL0166	Adaptor flange	DN 150 – ANSI 6 inch	1.4571		-	1	-
102	DFD.054	Flange gasket	DN 150			-	1	-
103	GFL.947.E	DIN blind flange	DN 150	1.4571		-	1	-
104	NSK.042.EE	Hexagon head bolt	M 12 x 25	Stainless steel		-	4	-
105	NMS.007.EE	Hexagon nut	M 20	Stainless steel		-	8	-
106	NUS.008.EE	Washer	A 21 x 37 x 3	Stainless steel		-	16	-
107	NSK.103.EE	Hexagon head bolt	M 20 x 70	Stainless steel		-	8	-

(a Design: S = steel, galvanised; E = stainless steel; L = steel, painted

Safety switch

Detail D



Position 115-118

Pos.	Part number	Description	Dimensions	Notes	Rep.	S ^(a)	E ^(a)	L ^(a)
115	SMD0013	Safety switch		Contains pos.115a-115c		1	1	1
115a	-	Magnetic element				(1)	(1)	(1)
115b	-	Sensor with evaluator				(1)	(1)	(1)
115c	-	Adjusting nut				(2)	(2)	(2)

Steel

116	NMK.034	Hexagon nut	M 5	DIN 934		1	-	1
117	NUS.120	Washer	5.3 x 10 x 1	DIN 125		1	-	1
118	NSE.020.E	Countersunk head bolt	M 5 x 30	ISO 10642		1	-	1

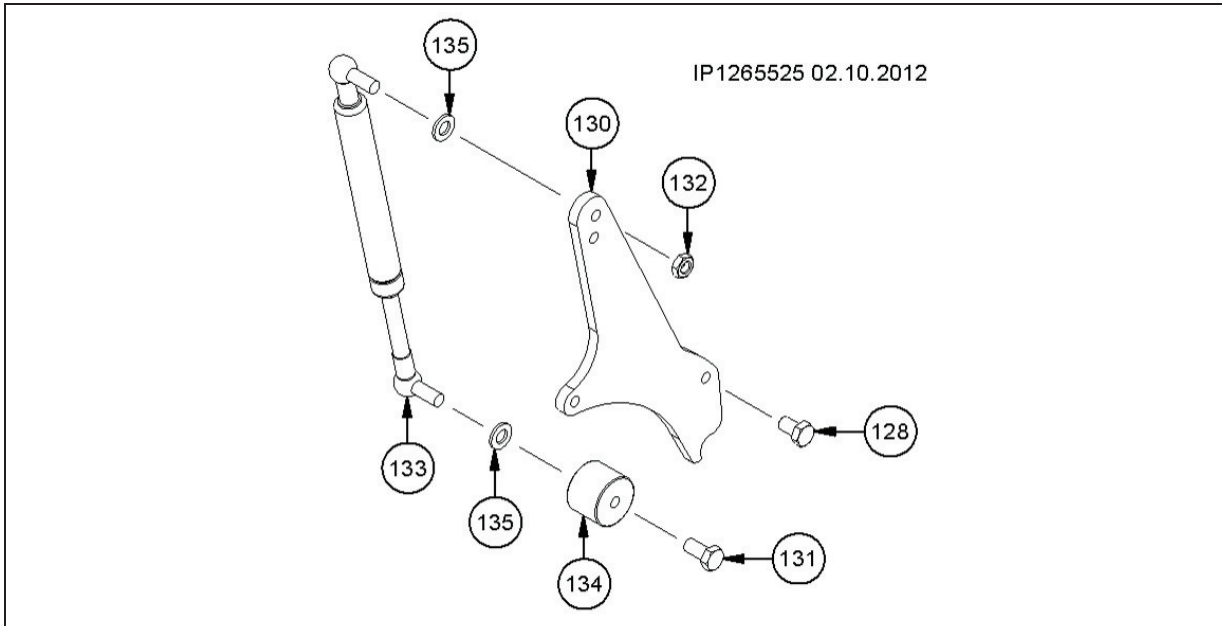
Stainless steel

116	NMK.034.EE	Hexagon nut	M 5	DIN 934		-	1	-
117	NUS.120.E	Washer	5.3 x 10 x 1	DIN 125		-	1	-
118	NSE.020.E	Countersunk head bolt	M 5 x 30	ISO 10642		-	1	-

(a Design: S = steel, galvanised; E = stainless steel; L = steel, painted

Gas spring

Detail E



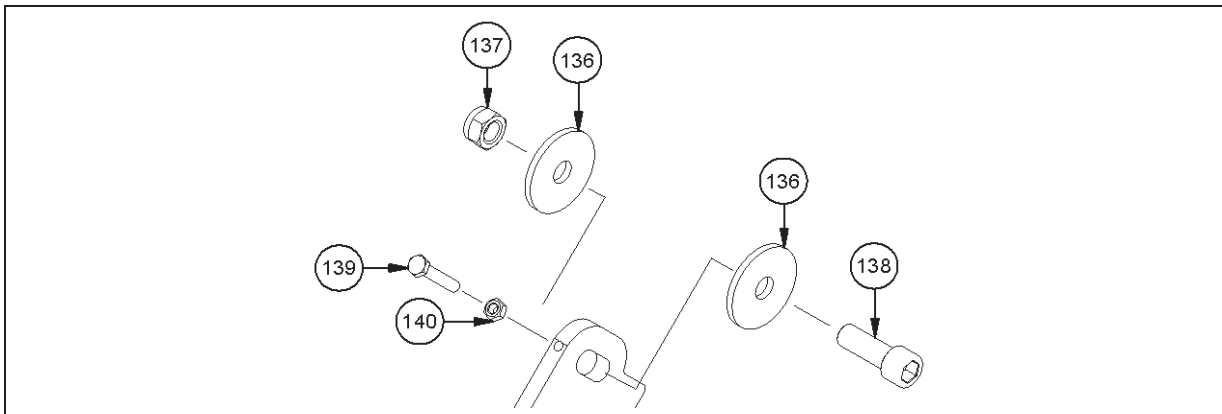
Pos. 128-135

Pos.	Part number	Description	Dimensions	Notes	Rep.	S ^(a)	E ^(a)	L ^(a)
1.0038								
128	NSK.042	Hexagon head bolt	M 12 x 25	DIN 933		1	-	1
130	RFL.439	Holder		1.0038 galvanised		1	-	-
	RFL2771	Holder		1.0038 painted		-	-	1
131	NSK.041	Hexagon head bolt	M 12 x 20	DIN 933		2	-	2
132	NMK.057	Hexagon nut	M 12	ISO 4035		1	-	1
133	NFE.030	Gas spring					1	
134	GRS.175	Coupling		Gas spring		1	-	1
135	NUS.005	Washer	A 13 x 24 x 2,5	DIN 125		2	-	2
1.4571								
128	NSK.042.EE	Hexagon head bolt	M 12 x 25	DIN 933		-	1	-
130	RFL.439.E	Holder		1.4571		-	1	-
131	NSK.041.E	Hexagon head bolt	M 12 x 20	DIN 933		-	2	-
132	NMK0009	Hexagon nut	M 12	ISO 4035		-	1	-
133	NFE.030	Gas spring					1	
134	GRS.175.E	Coupling		Gas spring		-	1	-
135	NUS.005.E	Washer	A 13 x 24 x 2,5	DIN 125		-	2	-

(a Design: S = steel, galvanised; E = stainless steel; L = steel, painted

Pivot

Detail G



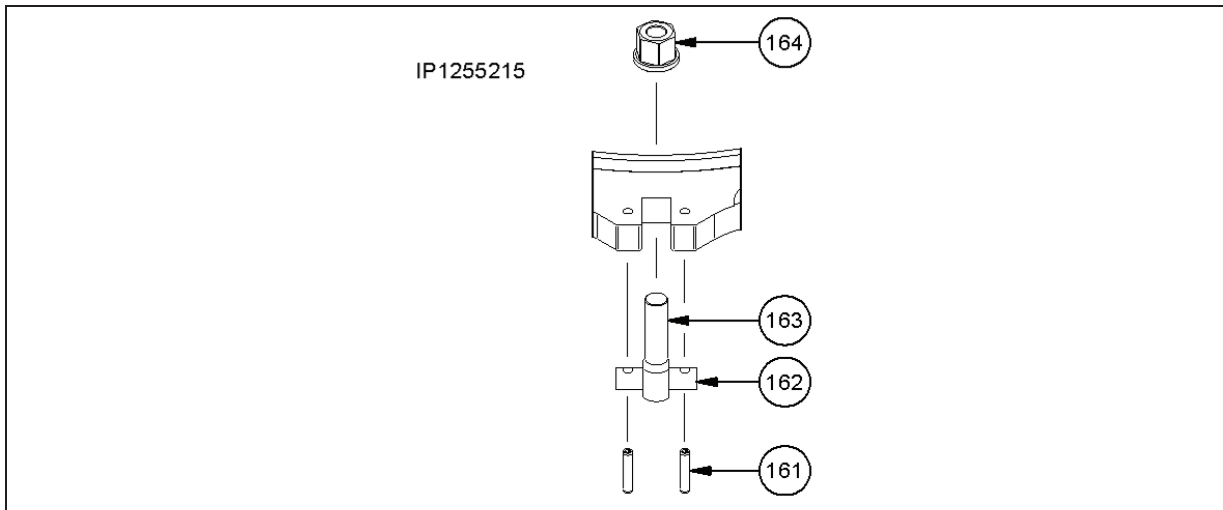
Position 136-140

Pos.	Part number	Description	Dimensions	Notes	Rep.	S ^(a)	E ^(a)	L ^(a)
136	NUS.090	Washer	F; 16 x 5 x 60 x 5	DIN 522		4	-	4
	NUS.090.E	Washer	F; 16 x 5 x 60 x 5	DIN 522		-	4	-
137	NMK.007	Hexagon nut	M 16	DIN 985		2	-	2
	NMK.007.EE	Hexagon nut	M 16	DIN 985		-	2	-
138	NSI.045	Cylinder head bolt	M 16 x 45	ISO 4762		2	-	2
	NSI.045.EE	Cylinder head bolt	M 16 x 45	ISO 4762		-	2	-
139	NSK.126	Hexagon head bolt	M 8 x 45	DIN 933		2	-	2
	NSK.203	Hexagon head bolt	M 8 x 45	DIN 933		-	2	-
140	NMS.002	Hexagon nut	M 8	DIN 934-8		2	-	2
	NMS.002.E	Hexagon nut	M 8	DIN 934-8		-	2	-

(a Design: S = steel, galvanised; E = stainless steel; L = steel, painted

Clamping fastener

Detail H



Position 160-164

Pos.	Part number	Description	Dimensions	Notes	Rep.	S ^(a)	E ^(a)	L ^(a)
161	NSP.031.E	Spring pin	6 mm x 30 mm	ISO8752			8	
162	GRS0253	Take-up shaft	M 12			2	-	2
	GRS0280	Take-up shaft	M 12			-	2	-
163	NSH0004	Eye bolt	M 12 x 60	DIN 444		2	-	2
	NSH0006	Eye bolt	M 12 x 60	DIN 444		-	2	-
164	NMK0003	Hexagon nut	M 12			2	-	2
	NMK.019.EE	Hexagon nut	M 12			-	2	-

Accessories

Pos. 180-182

Pos.	Part number	Description	Dimensions	Notes	Rep.	S ^(a)	E ^(a)	L ^(a)
180	NUS.003	Washer	A; 8.4 x 16 x 1.6	DIN 985		2	-	2
	NUS.003.EE	Washer	A; 8.4 x 16 x 1.6	DIN 985		-	2	-
181	NMK.004	Hexagon nut	M 8	DIN 985		2	-	2
	NMK.004.E	Hexagon nut	M 8	DIN 985		-	2	-
182	NSI.153	Cylinder head bolt	M 8 x 130	ISO 4762		2	-	2
	NSI.126.EE	Cylinder head bolt	M 8 x 120	ISO 4762		-	2	-

(a Design: S = steel, galvanised; E = stainless steel; L = steel, painted

Safety sticker

Pos.	Part number	Description	Dimensions	Notes	Rep.	S ^(a)	E ^(a)	L ^(a)
	VAU.013.EN	Sticker						1
	VAU.133	Sticker						1
	VAU.014	Sticker						1
	VAU.109	Sticker						1
	VAU.012	Sticker						1
	VAU.130	Sticker						1

ACC:

	VAU.140.EN	Sticker						1
--	------------	---------	--	--	--	--	--	---

Cyclone separator








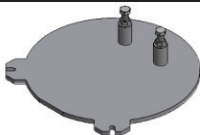
	VAU.142.EN	Sticker						1
--	------------	---------	--	--	--	--	--	---

INLINE

	VAU.144.EN	Sticker						1
--	------------	---------	--	--	--	--	--	---

(a Design: S = steel, galvanised; E = stainless steel; L = steel, painted

Tools

Pos.	Part number	Description	Dimensions	Notes	Rep.	S ^(a)	E ^(a)	L ^(a)
	WKZ.043	Tool kit:						
1	WKZ.046	Detaching tool for drive shaft						
2	WKZ.047	Fitting tool for drive shaft						
3	WKZ.048	Ring spanner wrench with PTO shaft profile 35/45						
	WKZ.097	Tensioning tool for gas spring NFE.030					x	
	WKZ.082	Tool for installation the cutting blades					x	
	WKZ0634	Puller		Radial shaft seal ring			x	
	WKZ0678	Assembly tool		Radial shaft seal ring			x	
	PBA.D006.N1.T1	Assembly tool		Mechanical seal			x	
In the case of manual preload								
	GMS.001	Open-end wrench		For preload locking nut				
Blind flange for RotaCut pot (allows for continued flow of the medium while repairs are made to the cutter head)								
	WKZ0484	5000 Inline		1.0038 galvanized				

Operating material

Pos.	Part number	Description	Dimensions	Notes	Rep.	S ^(a)	E ^(a)	L ^(a)
	BSS.016	Hydraulic oil		Plantohyd 40N			x	

(a Design: S = steel, galvanized; E = stainless steel; L = steel, painted

Required spare parts for mechanical seal change

Pos.	Part number	Description	Dimensions	Notes	Rep.	S ^(a)	E ^(a)	L ^(a)
21	DWD.054	Radial shaft seal ring	50 x 65 x 7	NBR			1	
22	NSR.015	Retaining ring	1 65 x 2.5				2	
23	DGL.D003.N1	Mechanical seal	76.97-H3200	Duronit			2	
	DGL.D003.SC	Mechanical seal	76.97-H3200	SiSiC (silicon carbide)				
24	DOR.024.HNB	O-ring	58 x 73 x 7.5	HNBR			2	
	DOR.024.VI	O-ring	58 x 73 x 7.5	FPM				
28	NPF0016	Fitting key	AB 12 x 8 x 52				1	
30	IBA1373	Inner ring unit					1	
31	DOR0264	O-ring	Ø 37 mm x 3.5 mm	NBR			1	
32	DOR0263	O-ring	Ø 48 mm x 2. mm	NBR			1	

With version B preload (ACC) additionally:**NBR**

49	DOR.046	O-ring	96 x 3	NBR			1	
50	DOR.072	O-ring	45 x 3	NBR			1	
51	DOR.021	O-ring	24 x 3	NBR			1	
52	DOR.079	O-ring	18.4 x 2.7	NBR			1	

FPM (Option)

49	DOR.046.VI	O-ring	96 x 3	FPM			1	
50	DOR.072.VI	O-ring	45 x 3	FPM			1	
51	DOR.021.VI	O-ring	24 x 3	FPM			1	
52	DOR.079.VI	O-ring	18.4 x 2.7	FPM			1	

(a Design: S = steel, galvanised; E = stainless steel; L = steel, painted

Necessary spare parts for blade change

Pos.	Part number	Description	Dimensions	Notes	Rep.	S ^(a)	E ^(a)	L ^(a)
Steel								
8	GFL.421.N1.M9	Cutting screen	Max. ø 24 mm	Medium; t = 12 mm		1	-	1
	GFL.430.N1.M9	Cutting screen	Max. ø 15 mm	Fine				
	GFL.150.N3.M9	Cutting screen	Max. ø 30 mm	Coarse				
	GFL.543.M9	Cutting screen	Max. ø 4 mm	Honey combs				
	GFL.572.M9	Cutting screen	Max. ø 6 mm	Honey combs				
	GFL.499.N1.M9	Cutting screen	Max. ø 8 mm	Honey combs				
	GFL.511.N1.M9	Cutting screen	Max. ø 10 mm	Honey combs				
	GFL.497.M9	Cutting screen	Max. ø 12 mm	Honey combs				
GFL.493.M9	Cutting screen	Max. ø 15 mm	Honey combs					

Stainless steel								
8	GFL.421.N1.E3	Cutting screen	Max. ø 24 mm	Medium; t=12 mm		-	1	-
	GFL.430.N1.E3	Cutting screen	Max. ø 15 mm	Fine				
	GFL.150.N3.E3	Cutting screen	Max. ø 30 mm	Coarse				
	GFL.543.E3	Cutting screen	Max. ø 4 mm	Honey combs				
	GFL.572.E3	Cutting screen	Max. ø 6 mm	Honey combs				
	GFL.499.N1.E3	Cutting screen	Max. ø 8 mm	Honey combs				
	GFL.511.N1.E3	Cutting screen	Max. ø 10 mm	Honey combs				
	GFL.497.E3	Cutting screen	Max. ø 12 mm	Honey combs				
GFL.493.E3	Cutting screen	Max. ø 15 mm	Honey combs					
		Max. ø = max. free passage						

The cutting screen **pos. 8** can be turned **once** so it doesn't have to be replaced until the next cutting blade change!

11	GSM.005	Blade	8 mm			4 3*	-	4 3*
	GSM.005.E4	Blade	8 mm	Stainless steel		4 / 3*		
	GSM.005.T1.E4	Blade	8 mm	Stainless steel; High version only for ACC!		6**		
	GSM.015.T1.E4	Blade	5 mm	Stainless steel; High version only for ACC!				
12	NSP.006	Spring pin	10 x 30	→ GSM.005		4 3*	-	4 3*
12	NSP.030.E	Spring pin	10 x 30	→ GSM.005.E4 → GSM.005.T1.E4		4 / 3* / 6**		
	NSP.031.E	Spring pin	6 x 30	→ GSM.015.T1.E4		4 / 3* / 6**		
13	ZDFD.390.0135	Polyethylene cord				4 / 3* / 6**		

With version B preload (ACC) additionally:

NBR

49	DOR.046	O-ring	96 x 3	NBR		1		
50	DOR.072	O-ring	45 x 3	NBR		1		
51	DOR.021	O-ring	24 x 3	NBR		1		
52	DOR.079	O-ring	18.4 x 2.7	NBR		1		

FPM (Option)

49	DOR.046.VI	O-ring	96 x 3	FPM		1		
50	DOR.072.VI	O-ring	45 x 3	FPM		1		
51	DOR.021.VI	O-ring	24 x 3	FPM		1		
52	DOR.079.VI	O-ring	18.4 x 2.7	FPM		1		

* Quantities or parts in case of rotor with 3 wings

** Quantities or parts in case of rotor with 6 wings

(a Design: S = steel, galvanised; E = stainless steel; L = steel, painted

Required spare parts for wear part replacement

Pos.	Part number	Description	Dimensions	Notes	Rep.	S ^(a)	E ^(a)	L ^(a)
2	DOR0022	O-ring	393 x 18	NBR				
	DOR.074.SI	O-ring	407 x 18	MVQ				1
3	GSW.017	Flywheel		Included Pos. 4 + 5				1
4	PRS.113	Adjusting ring						1
5	NSI.134.E	Pan head screw	M8 x 20	ISO 7380				3

Steel

8	GFL.421.N1.M9	Cutting screen	Max. ø 24 mm	Medium; t = 12 mm		1	-	1
	GFL.430.N1.M9	Cutting screen	Max. ø 15 mm	Fine				
	GFL.150.N3.M9	Cutting screen	Max. ø 30 mm	Coarse				
	GFL.543.M9	Cutting screen	Max. ø 4 mm	Honey combs				
	GFL.572.M9	Cutting screen	Max. ø 6 mm	Honey combs				
	GFL.499.N1.M9	Cutting screen	Max. ø 8 mm	Honey combs				
	GFL.511.N1.M9	Cutting screen	Max. ø 10 mm	Honey combs				
	GFL.497.M9	Cutting screen	Max. ø 12 mm	Honey combs				
GFL.493.M9	Cutting screen	Max. ø 15 mm	Honey combs					

Stainless steel

8	GFL.421.N1.E3	Cutting screen	Max. ø 24 mm	Medium; t=12 mm		-	1	-
	GFL.430.N1.E3	Cutting screen	Max. ø 15 mm	Fine				
	GFL.150.N3.E3	Cutting screen	Max. ø 30 mm	Coarse				
	GFL.543.E3	Cutting screen	Max. ø 4 mm	Honey combs				
	GFL.572.E3	Cutting screen	Max. ø 6 mm	Honey combs				
	GFL.499.N1.E3	Cutting screen	Max. ø 8 mm	Honey combs				
	GFL.511.N1.E3	Cutting screen	Max. ø 10 mm	Honey combs				
	GFL.497.E3	Cutting screen	Max. ø 12 mm	Honey combs				
	GFL.493.E3	Cutting screen	Max. ø 15 mm	Honey combs				
		Max. ø = max. free passage						

The cutting screen **pos. 8** can be turned **once** so it doesn't have to be replaced until the next cutting blade change!

10	GFM.021.N2	Blade rotor		4 wings; groove 8 mm		1		
	GFM.003.N2	Blade rotor		3 wings; groove 8 mm				
	GFM.009.N2.T1	Blade rotor		6 wings; groove 5 mm				
11	GSM.005	Blade	8 mm			4 3*	-	4 3*
	GSM.005.E4	Blade	8 mm	Stainless steel		4 / 3*		
	GSM.005.T1.E4	Blade	8 mm	Stainless steel; High version only for ACC!				
	GSM.015.T1.E4	Blade	5 mm	Stainless steel; High version only for ACC!		6**		
12	NSP.006	Spring pin	10 x 30	→ GSM.005		4 3*	-	4 3*
12	NSP.030.E	Spring pin	10 x 30	→ GSM.005.E4		4 / 3* / 6**		
	NSP.031.E	Spring pin	6 x 30	→ GSM.005.T1.E4 → GSM.015.T1.E4				
13	ZDFD.390.0135	Polyethylene cord				4 / 3* / 6**		
15	GRS0043	Adaptor		1.0038 galvanised		1	-	1
	GRS0044	Adaptor		1.4571		-	1	-

* Quantities or parts in case of rotor with 3 wings

** Quantities or parts in case of rotor with 6 wings

Continuation see next page

(a Design: S = steel, galvanised; E = stainless steel; L = steel, painted

5000 geared motor

Pos.	Part number	Description	Dimensions	Notes	Rep.	S ^(a)	E ^(a)	L ^(a)
21	DWD.054	Radial shaft seal ring	50 x 65 x 7	NBR			1	
22	NSR.015	Retaining ring	l 65 x 2.5				2	
23	DGL.D003.N1	Mechanical seal	76.97-H3200	Duronit			2	
	DGL.D003.SC	Mechanical seal	76.97-H3200	SiSiC (silicon carbide)				
24	DOR.024.HNB	O-ring	58 x 73 x 7.5	HNBR			2	
	DOR.024.VI	O-ring	58 x 73 x 7.5	FPM				
28	NPF0016	Fitting key	AB 12 x 8 x 52				1	
30	IBA1373	Inner ring unit					1	
31	DOR0264	O-ring	Ø 37 mm x 3.5 mm	NBR			1	
32	DOR0263	O-ring	Ø 48 mm x 2. mm	NBR			1	

With version B preload (ACC) additionally:

NBR

49	DOR.046	O-ring	96 x 3	NBR			1	
50	DOR.072	O-ring	45 x 3	NBR			1	
51	DOR.021	O-ring	24 x 3	NBR			1	
52	DOR.079	O-ring	18.4 x 2.7	NBR			1	

FPM (Option)

49	DOR.046.VI	O-ring	96 x 3	FPM			1	
50	DOR.072.VI	O-ring	45 x 3	FPM			1	
51	DOR.021.VI	O-ring	24 x 3	FPM			1	
52	DOR.079.VI	O-ring	18.4 x 2.7	FPM			1	

(a Design: S = steel, galvanised; E = stainless steel; L = steel, painted

VOGELSANG



Hugo Vogelsang Maschinenbau GmbH

Holthöge 10-14
49632 Essen/Oldb.

Phone: +49 (0) 54 34 83 0
Fax: +49 (0) 54 34 83 10

vogelsang-gmbh.com
info@vogelsang-gmbh.com

ENGINEERED TO WORK

Australien
Vogelsang Pty. Ltd.
vogelsang.com.au

Indien
Vogelsang India Private Limited
vogelsangindia.com

Russland
Vogelsang Russland
vogelsang.ru

Brasilien
Vogelsang Brasil Ltda.
vogelsang.com.br

Irland
Vogelsang Ireland
vogelsang.ie

Schweden
Vogelsang Sverige AB
vogelsang.se

China
Vogelsang Mechanical Engineering (Shanghai) Co., Ltd.
vogelsang.com.cn

Italien
Vogelsang Italy Srl
vogelsang-srl.it

Spanien
Vogelsang S.L.
vogelsang.es

Dänemark
Vogelsang A/S
vogelsang-as.dk

Malaysia
Vogelsang Malaysia
vogelsang.info

Südkorea
Vogelsang Korea Co., Ltd.
vogelsang.co.kr

Deutschland - Niederlassung Ost
Vogelsang Lutherstadt Eisleben
vogelsang-gmbh.com

Mexico
Vogelsang De México S.de R.L. de CV
vogelsang.mx

Tschechische Republik
Vogelsang CZ s.r.o.
vogelsang-czech.cz

Finnland
Vogelsang Oy
vogelsang.fi

Polen
Vogelsang Poland Sp. z o.o.
vogelsang.pl

USA
Vogelsang USA Ltd.
vogelsangusa.com

Frankreich
Vogelsang France S.A.R.L.
vogelsang.fr

Österreich
Vogelsang Austria GmbH
vogelsang-austria.at

Großbritannien
Vogelsang Ltd.
vogelsang.co.uk

Rumänien
Vogelsang Romania SRL
vogelsang.ro