



Spare Parts List

RotaCut®

3000 hydraulic motor

ENGINEERED TO WORK



Spare parts list valid from delivery 2013-10-28

Issuer

Hugo Vogelsang Maschinenbau GmbH
Holthöge 10-14
49632 Essen/Oldb.

Phone: +49 54 34 83 0
Fax: +49 54 34 83 10

vogelsang-gmbh.com
info@vogelsang-gmbh.com

In the absence of express, written authorisation from the issuer, the reproduction or partial reproduction of this document in any form is prohibited.

We reserve the right to make technical modifications to the diagrams and information presented in this document in the event that such modifications become necessary for the enhancement of the machine.

© 2016 Hugo Vogelsang Maschinenbau GmbH

Registered trademarks of Vogelsang

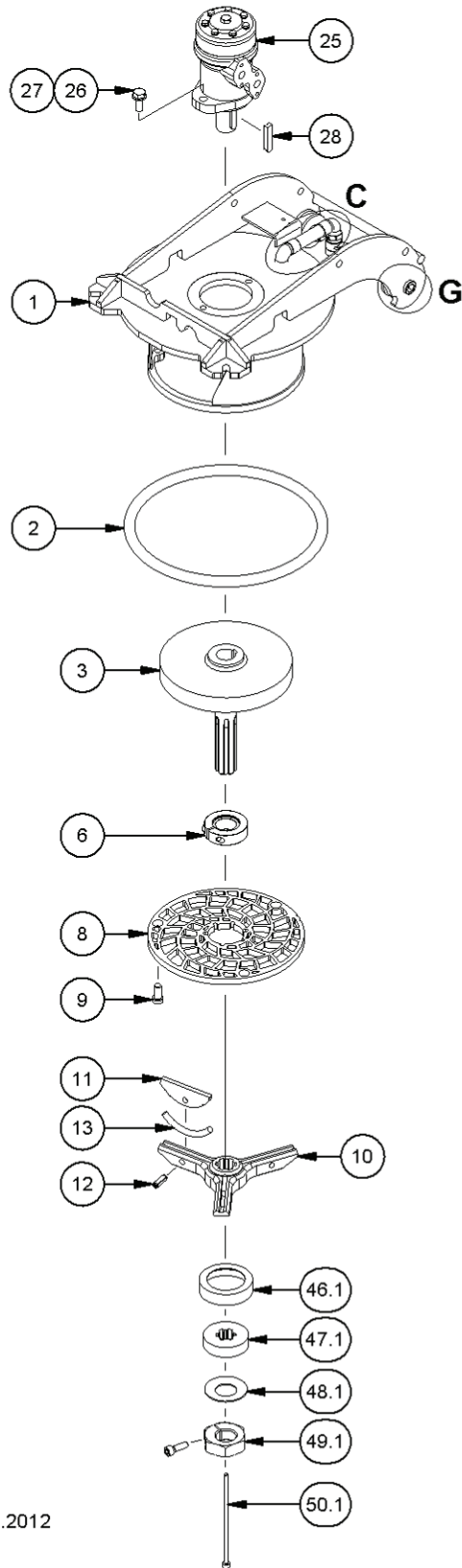
Vogelsang, RotaCut, PreMix, HiFlo, ACC, CFC, BioCrack, XTill, EnergyJet, BioCut, CC series, PreMix, ProTerra and VarioCrop are registered trademarks of Hugo Vogelsang Maschinenbau GmbH.

The registered trademarks are not always designated with an ® symbol in this document.

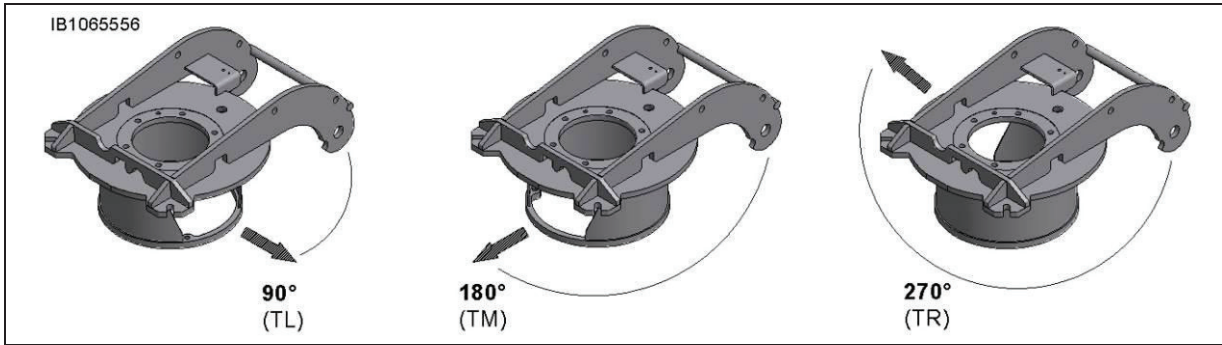
Contents

Figure: Cutter head	4
Cutter head	5
Position 1	5
O-ring cutter head	5
Position 2	5
Flywheel and accessories	5
Position 3-6	5
Option: External gap sealing	6
Cutting screen	7
Position 8-9	7
Blade rotor	7
Position 10	7
Blade and accessories	7
Position 11-13	7
Hydraulic motor	8
Position 25-28	8
Ball valve	8
Detail C	8
Position 38-40	8
Manual preload	8
Pos. 46.1-52.1	8
Pot	9
Position 90	9
INLINE	9
Cyclone separator	10
Blind flange + accessories	11
Position 91-95	11
6 inch	11
Scraper (Option)	11
Adaptor flange DIN/ANSI	12
Position 100-107	12
Safety device	13
Hydraulic reverse valve	13
Pos. 115-126	13
Position switch (Option)	13
Pivot	14
Detail G	14
Position 136-140	14
Clamping fastener	15
Detail H	15
Position 160-164	15
Safety sticker	16
Tools	17
Necessary spare parts for blade change	17
Required spare parts for wear part replacement	18

Figure: Cutter head



IP1267432 15.11.2012



Cutter head

Position 1

Pos.	Part number	Description	Dimensions	Notes	Rep.	S ^(a)	E ^(a)	L ^(a)
1.0038 galvanized								
1	GSK0160	Cutter head	180° (TM)			1	-	-
	GSK0161	Cutter head	90° (TL)					
	GSK0162	Cutter head	270° (TR)					

O-ring cutter head

Position 2

Pos.	Part number	Description	Dimensions	Notes	Rep.	S ^(a)	E ^(a)	L ^(a)
2	DOR0021	O-ring	311 x 18	NBR		1	1	1
	DOR.073.SI	O-ring	320 x 18	MVQ				

Flywheel and accessories

Position 3-6

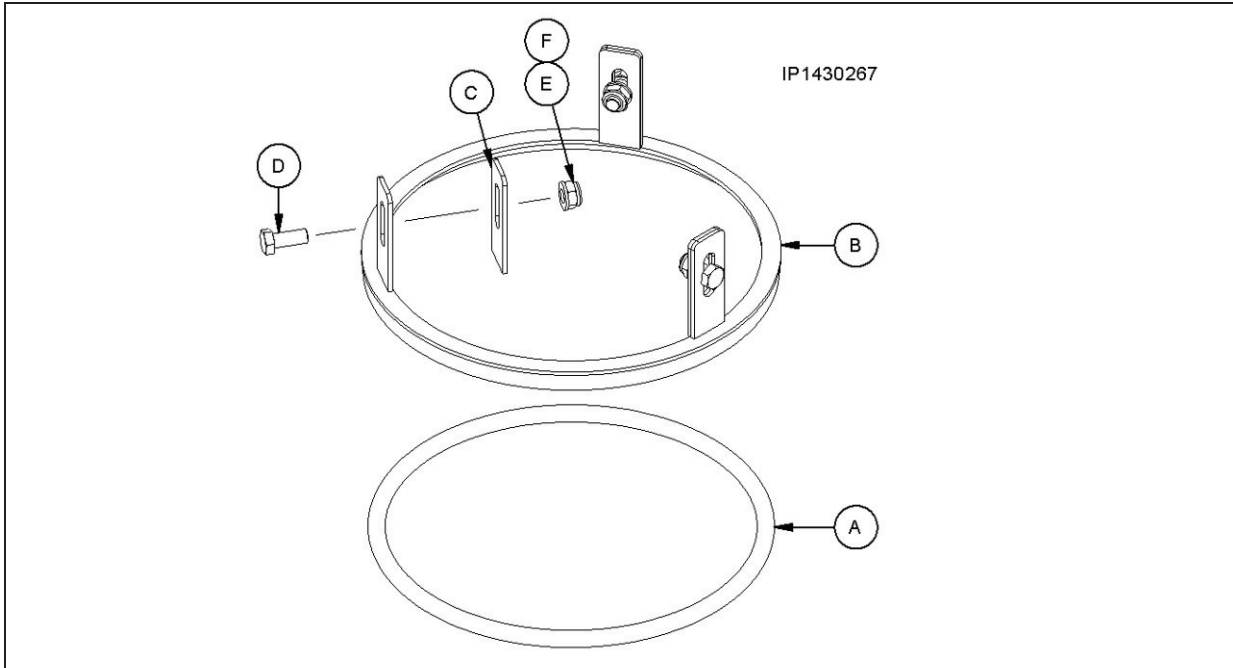
Pos.	Part number	Description	Dimensions	Notes	Rep.	S ^(a)	E ^(a)	L ^(a)
3	GSW.013	Flywheel				1	-	-

Steel

6	GAS.019	Internal gap sealing		1.0038		1	-	1
	NSI.006	Cylinder head bolt	M 10 x 30	Included in GAS.019		1	-	1

(a Design: S = steel, galvanized; E = stainless steel; L = steel, painted

Option: External gap sealing



Pos.	Part number	Description	Dimensions	Notes	Rep.	S ^(a)	E ^(a)	L ^(a)
	GAS.013.T1	External gap sealing		Steel		1	-	1
	GAS.013.T1.E	External gap sealing		Stainless steel		-	1	
A	DOR.131	O-ring	Ø 260 mm x 12 mm				1	
B	GVE.001.T1	Welded assembly		1.0038		1	-	1
	GVE.001.T1.E	Welded assembly		1.4571		-	1	
C	GFL.548.T1	Bracket		1.0038		3	-	3
	LFL.548.T1.E	Bracket		1.4571		-	3	
D	NSK.027	Hexagon head bolt	M 10 x 25			3	-	3
	NSK.027.EE	Hexagon head bolt	M 10 x 25			-	3	
E	NMK.001	Hexagon nut	M 10			3	-	3
	NMK.001.EE	Hexagon nut	M 10			-	3	
F	NUS.004	Washer	A 10,5 x 20 x 2			3	-	3
	NUS.004	Washer	A 10,5 x 20 x 2			-	3	

(a Design: S = steel, galvanised; E = stainless steel; L = steel, painted

3000 hydraulic motor

Cutting screen**Position 8-9**

Pos.	Part number	Description	Dimensions	Notes	Rep.	S ^(a)	E ^(a)	L ^(a)
Steel								
8	GFL.427.N3.M9	Cutting screen	Max. ø 20 mm	Medium; t = 12 mm		1	-	1
	GFL0035	Cutting screen	Max. ø 28 mm	Coarse				
	GFL.546.M9	Cutting screen	Max. ø 4 mm	Honey comb				
	GFL.570.M9	Cutting screen	Max. ø 8 mm	Honey comb				
	GFL.480.M9	Cutting screen	Max. ø 12 mm	Honey comb				
	GFL.449.M9	Cutting screen	Max. ø 15 mm	Honey comb				
Stainless steel								
8	GFL.427.N3.E3	Cutting screen	Max. ø 20 mm	Standard		(1)	1	(1)
	GFL.495.N1.E3	Cutting screen	Max. ø 28 mm	Coarse				
	GFL.546.E3	Cutting screen	Max. ø 4 mm	Honey comb				
	GFL.570.E3	Cutting screen	Max. ø 8 mm	Honey comb				
	GFL.480.E3	Cutting screen	Max. ø 12 mm	Honey comb				
	GFL.449.E3	Cutting screen	Max. ø 15 mm	Honey comb				
		Max. ø = max. free passage						
9	GRS.203.EE	Clamp bolt				3	3	3
	GRS.202	Spring pin				3	-	3
	GRS.202.EE	Spring pin				-	3	-

Blade rotor**Position 10**

Pos.	Part number	Description	Dimensions	Notes	Rep.	S ^(a)	E ^(a)	L ^(a)
10	GFM.019.N2	Blade rotor		4 wings; groove 8 mm		1	1	1
	GFM.004.N2	Blade rotor		3 wings; groove 8 mm				

Blade and accessories**Position 11-13**

Pos.	Part number	Description	Dimensions	Notes	Rep.	S ^(a)	E ^(a)	L ^(a)
11	GSM.006	Blade	8 mm	+ NSP.006		4 3*	- 4 3*	4 3*
	GSM.006.E4	Blade; stainless steel	8 mm	+ NSP.033.E				
12	NSP.006	Spring pin	10 x 30	→ GSM.006			4 / 3*	
12	NSP.033.E	Spring pin	10 x 30 + 6 x 30	→ GSM.006.E4			4 / 3*	
	NSP.033.E	Spring pin	10 x 30 + 6 x 30				4 / 3*	
13	ZDFD.390.0110	PE cord					4 / 3*	

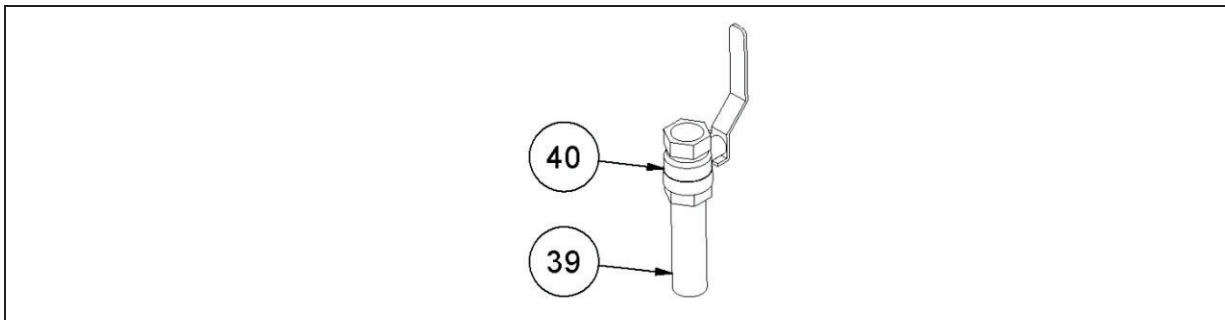
* Quantities or parts in case of rotor with 3 wings

(a Design: S = steel, galvanised; E = stainless steel; L = steel, painted

3000 hydraulic motor

Hydraulic motor**Position 25-28**

Pos.	Part number	Description	Dimensions	Notes	Rep.	S ^(a)	E ^(a)	L ^(a)
25	AOM.020	Hydraulic motor	OMR 100	Ø 32		1		
	AOM.014	Hydraulic motor	OMR 125	Ø 32				
	AOM.015	Hydraulic motor	OMS 160	Ø 32				
	AOM.017	Hydraulic motor	OMS 200	Ø 32				
26	NUS.005	Washer	A 13 x 24 x 2.5	DIN 125		2		
27	NSK.028	Hexagon head bolt	M 12 x 36	DIN 933		2		
28	NPF.066	Fitting key	A 10 x 8 x 45			1		

Ball valve**Detail C****Position 38-40**

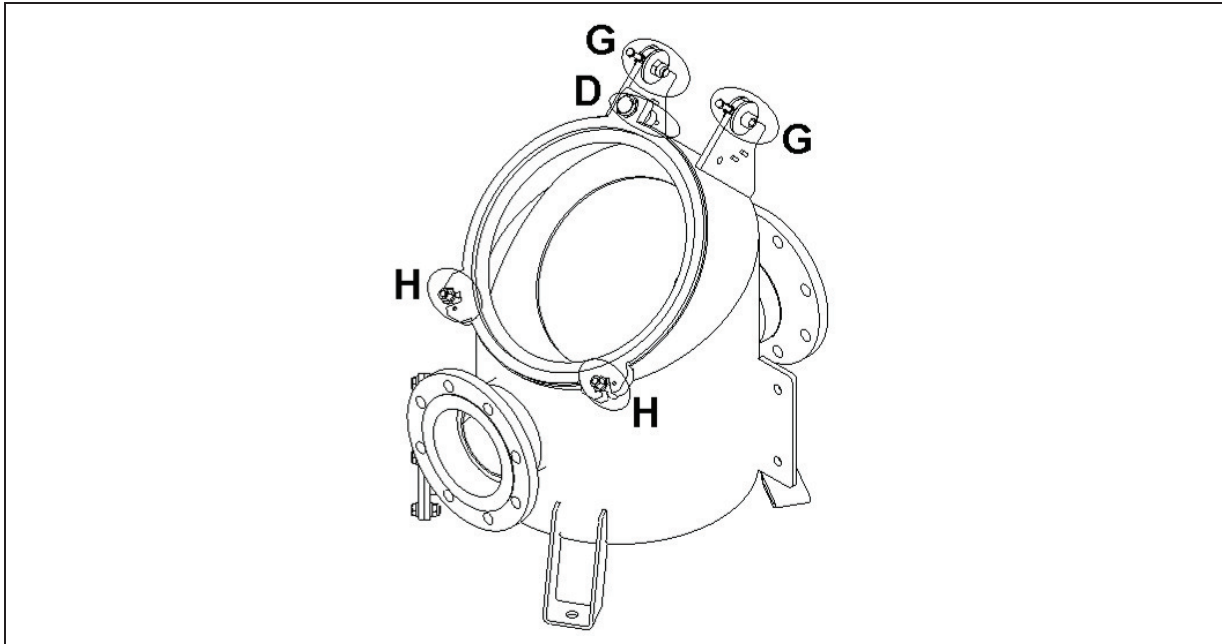
Pos.	Part number	Description	Dimensions	Notes	Rep.	S ^(a)	E ^(a)	L ^(a)
39	HRS0253	Pipe double nipple	3/4 inch x 100 mm			1	-	1
	NVE0038	Pipe double nipple	3/4 inch x 100 mm	1.4571		-	1	-
40	GHN.013	Ball valve	3/4 inch				1	

Manual preload**Pos. 46.1-52.1**

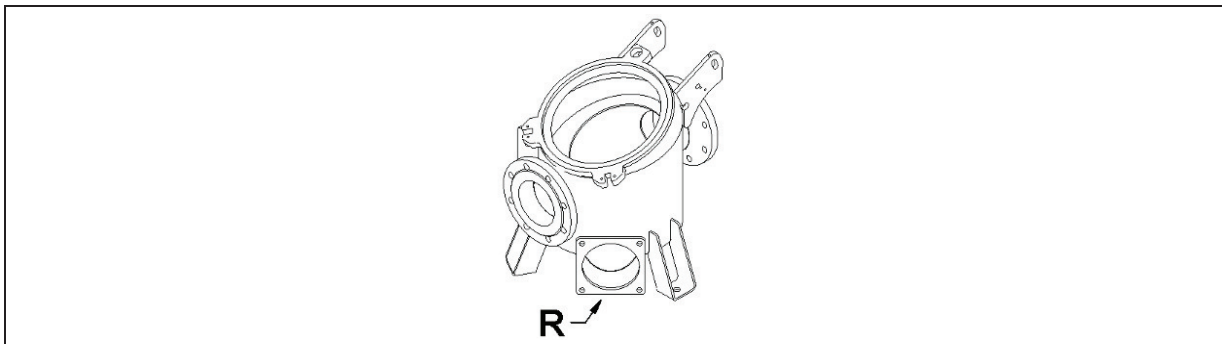
Pos.	Part number	Description	Dimensions	Notes	Rep.	S ^(a)	E ^(a)	L ^(a)
46.1	PRS.100	Protection for rubber discs + spring washers				1	1	1
47.1	DFD.110	Rubber disc				1	1	1
48.1	NTF.001	Spring washer				1	1	1
49.1	NMS.016	Tensioning nut		With locking screw		1	1	1
50.1	NSI.018	Cylinder head bolt	M 8 x 180	ISO 4762		1	-	-

(a Design: S = steel, galvanised; E = stainless steel; L = steel, painted)

Pot
Position 90



INLINE



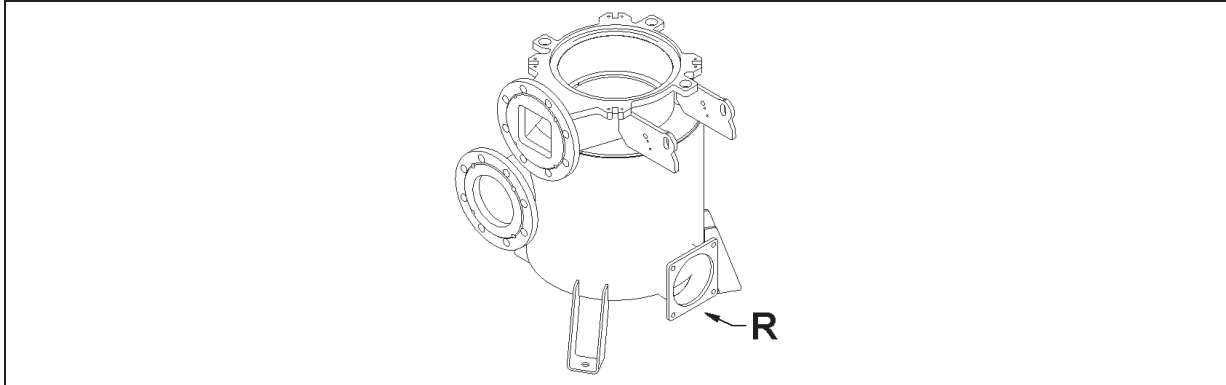
R1: Cleaning port 6 inch + blind flange 6 inch (pos. 91-94)
R2: Cleaning port 6 inch + adaptor flange 6 inch DIN/ ANSI (pos.100-107)

Pos.	Part number	Description	Dimensions	Notes	Rep.	S ^(a)	E ^(a)	L ^(a)
1.0038, galvanised								
90	GRC0354	Pot Inline	DN 100/ DN 125	(* Right		1	-	-
	GRC0348	Pot Inline	DN 125/ DN 125	(* Right				
	GRC0353	Pot Inline	DN 150/ DN 150 (combi-flange)	(* Right				
	GRC0357	Pot Inline	4 inch/ 4 inch (ANSI-Flansch)	(* Right				
	GRC0351	Pot Inline	DN 125/ DN 125	(* Left				
1.0038, painted								
90	GRC0356	Pot Inline	DN 100/ DN 100	(* Right		-	-	1
	GRC0350	Pot Inline	DN 125/ DN 125	(* Right				
	GRC0386	Pot Inline	DN 150/ DN 150	(* Right				
	GRC0387	Pot Inline	DN 150/ DN 150	(* Left				
1.4571								
90	GRC0349	Pot Inline	DN 125/ DN 125	(* Right		-	1	-
	GRC0352	Pot Inline	DN 125/ DN 125	(* Left				
	GRC0386	Pot Inline	DN 150/ DN 150	(* Right				
	GRC0387	Pot Inline	DN 150/ DN 150	(* Left				

(* Position of cleaning port

(a Design: S = steel, galvanised; E = stainless steel; L = steel, painted

Cyclone separator



R: Cleaning port 6 inch + blind flange 6 inch (pos. 91-95)

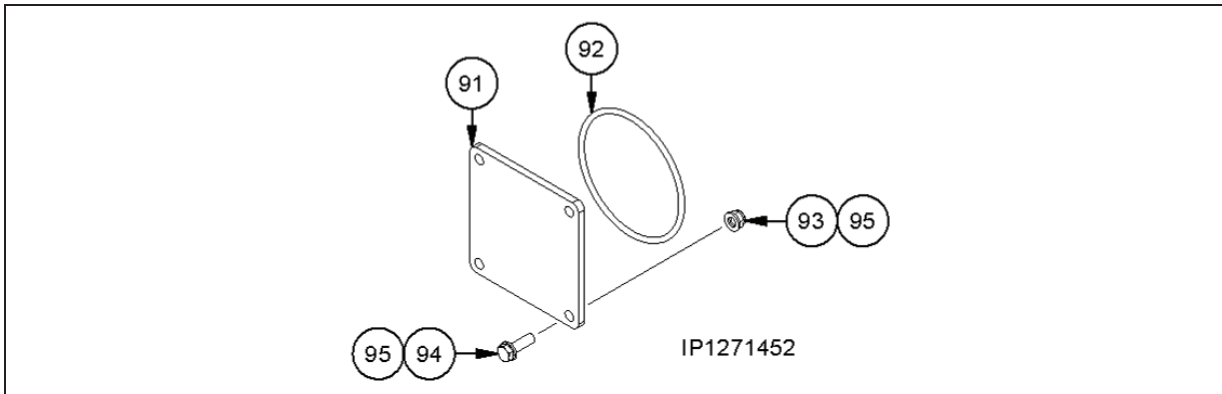
Pos.	Part number	Description	Dimensions	Notes	Rep.	S ^(a)	E ^(a)	L ^(a)
1.0038 galvanised								
90	GRC0358	Cyclone separator	DN 150/ DN 150	(**		1	-	-
	GRC0377	Cyclone separator	DN 150/ DN 150	Mounting of three-point base (**				
1.0038 painted								
90	GRC0374	Cyclone separator	DN 150	(**		-	-	1
	GRC0379	Cyclone separator	DN 150	Mounting of three-point base (**				

(** custom welded as per TINF.RC.005.DE.EN

(a Design: S = steel, galvanised; E = stainless steel; L = steel, painted

Blind flange + accessories

Position 91-95



6 inch

Pos.	Part number	Description	Dimensions	Notes	Rep.	S ^(a)	E ^(a)	L ^(a)
91-95	GAS0001	Mounting kit blind flange	6 inch	NBR; 1.0038 galvanised		x	-	-
	GAS0002	Mounting kit blind flange	6 inch	NBR; 1.4571		-	x	-
	GAS0004	Mounting kit blind flange	6 inch	NBR; 1.0038 painted		-	-	x
	GAS0031	Mounting kit blind flange	6 inch	MVQ; 1.0038 galvanised		x	-	-
	GAS0032	Mounting kit blind flange	6 inch	MVQ; 1.4571		-	x	-
	GAS0033	Mounting kit blind flange	6 inch	MVQ; 1.0038 painted		-	-	x

Pos.	Part number	Description	Dimensions	Notes	Rep.	S ^(a)	E ^(a)	L ^(a)
91	GFL.459	Blind flange	6 inch	1.0038 galvanised		1	-	-
	GFL.459.E	Blind flange	6 inch	1.4571		-	1	-
	GFL0216	Blind flange	6 inch	1.0038 painted		-	-	1
92	DOR.016	O-ring	160 x 7	NBR		1	1	1
	DOR.016.SI	O-ring	160 x 7	MVQ; FEP coated				

Steel

93	NMK.002	Hexagon nut	M 12	DIN 985		4	-	4
94	NSK.030.E	Hexagon head bolt	M 12 x 40	DIN 933		4	-	4
95	NUS.005	Washer	A; 13 x 24 x 2,5	DIN 125		4	-	4

Stainless steel

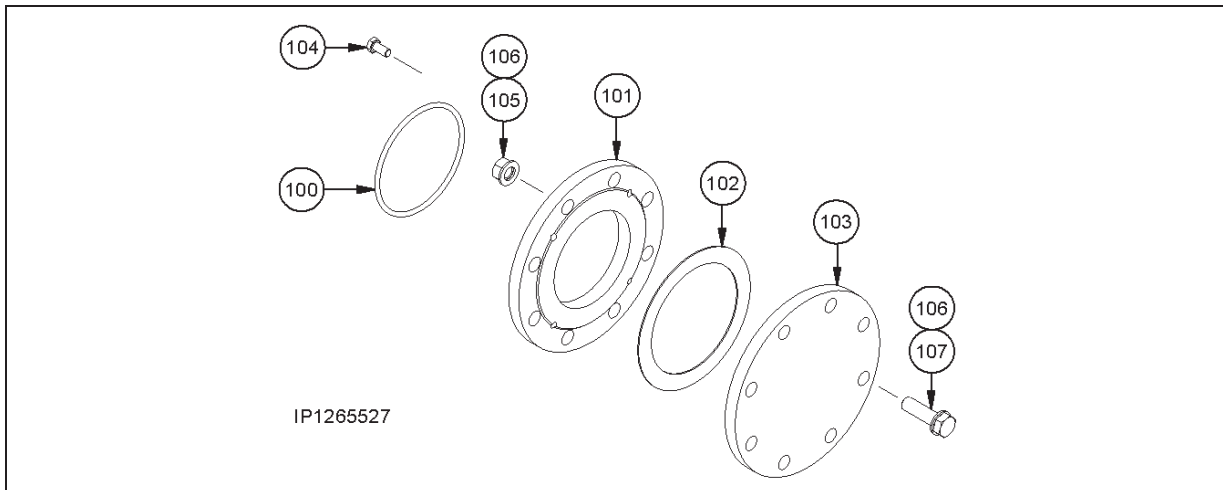
93	NMK.002.EE	Hexagon nut	M 12	DIN 985		-	4	-
94	NSK.030.E	Hexagon head bolt	M 12 x 40	DIN 933		-	4	-
95	NUS.005.E	Washer	A; 13 x 24 x 2,5	DIN 125		-	4	-

Scraper (Option)

Pos.	Part number	Description	Dimensions	Notes	Rep.	S ^(a)	E ^(a)	L ^(a)
	RFL.975.T1	Scraper		1.0038 galvanized		1	-	-
	RFL.975.T1.E	Scraper		1.4571		-	1	1
	NSK.003.EE	Hexagon head bolt	M 10 x 40	DIN 933			3	
	NMK.001.EE	Hexagon nut	M 10	DIN 988			3	
	NUS.004.E	Washer	A 10.5 x 20 x 2	DIN 125			3	

(a Design: S = steel, galvanised; E = stainless steel; L = steel, painted

Adaptor flange DIN/ANSI
Position 100-107



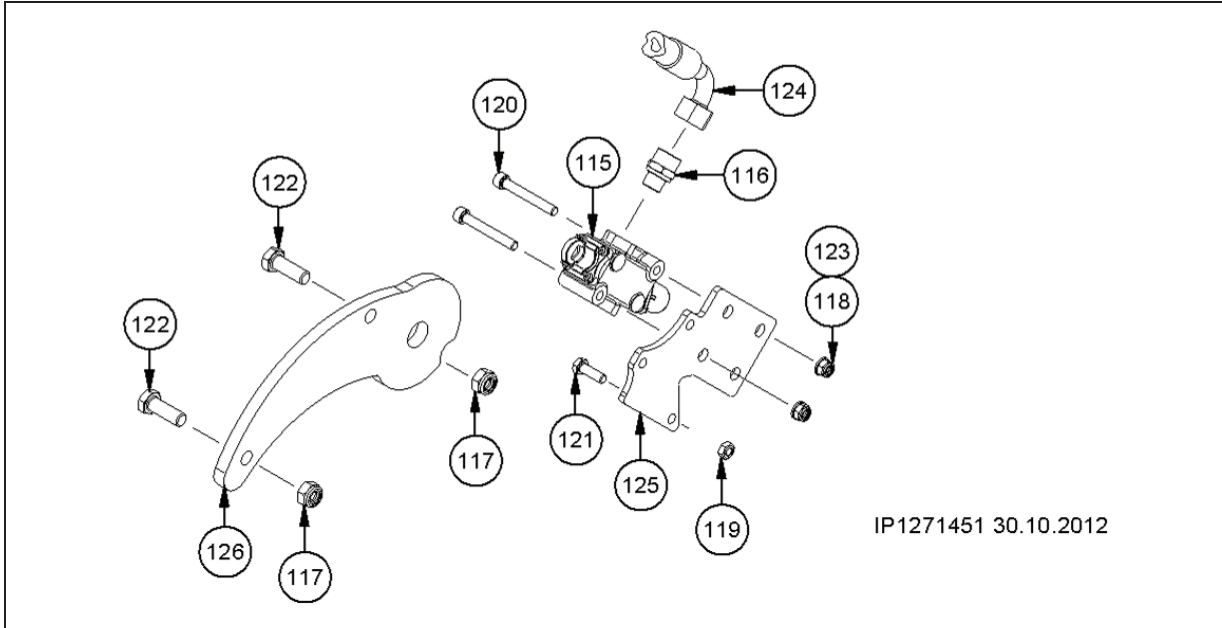
Pos.	Part number	Description	Dimensions	Notes	Rep.	S ^(a)	E ^(a)	L ^(a)
1.0038								
100	DOR.016	O-ring	160 x 7	NBR		1	-	1
101	GFL0165	Adaptor flange	DN 150 – ANSI 6 inch	1.0038 galvanised		1	-	-
	GFL0202	Adaptor flange	DN 150 – ANSI 6 inch	1.0038 painted		-	-	1
102	DFD.054	Flange gasket	DN 150			1	-	1
103	GFL.947	DIN blind flange	DN 150	1.0038 galvanised		1	-	1
	GFL0201	DIN blind flange	DN 150	1.0038 painted		1	-	1
104	NSK.042	Hexagon head bolt	M 12 x 25			4	-	4
105	NMS.007	Hexagon nut	M 20			8	-	8
106	NUS.008	Washer	A 21 x 37 x 3			16	-	16
107	NSK.103	Hexagon head bolt	M 20 x 70			8	-	8
1.4571								
100	DOR.016	O-ring	160 x 7	NBR		-	1	-
101	GFL0166	Adaptor flange	DN 150 – ANSI 6 inch	1.4571		-	1	-
102	DFD.054	Flange gasket	DN 150			-	1	-
103	GFL.947.E	DIN blind flange	DN 150	1.4571		-	1	-
104	NSK.042.EE	Hexagon head bolt	M 12 x 25	Stainless steel		-	4	-
105	NMS.007.EE	Hexagon nut	M 20	Stainless steel		-	8	-
106	NUS.008.EE	Washer	A 21 x 37 x 3	Stainless steel		-	16	-
107	NSK.103.EE	Hexagon head bolt	M 20 x 70	Stainless steel		-	8	-

(a Design: S = steel, galvanised; E = stainless steel; L = steel, painted

Safety device

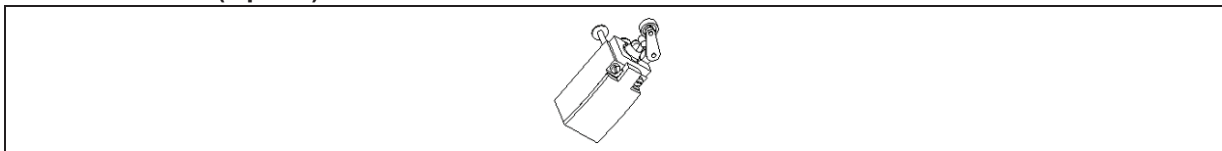
Hydraulic reverse valve

Pos. 115-126



Pos.	Part number	Description	Dimensions	Notes	Rep.	S ^(a)	E ^(a)	L ^(a)
115-126	GAS0119	Mounting kit reverse valve		Pot Inline				(1)
	GAS0116	Mounting kit reverse valve		Cyclone separator				
115	AHV0004	Reverse valve						1
116	NGE.026	Screw connection						1
117	NMK.002	Hexagon nut	M 12					1
118	NMK.004	Hexagon nut	M 8					1
119	NMS.002	Hexagon nut	M 8					1
120	NSI0008	Cylinder head bolt	M 8 x 60					1
121	NSK.019	Hexagon head bolt	M 8 x 25					1
122	NSK.029	Hexagon head bolt	M 12 x 35					1
123	NUS.003	Washer						1
124	THZ.001	Hydraulic hose						1
125	RFL2517	Plate		Pot Inline				1
	RFL2505	Plate		Cyclone separator				
126	RFL2518	Operating sheet		Pot Inline				1
	RFL2511	Operating sheet		Cyclone separator				

Position switch (Option)

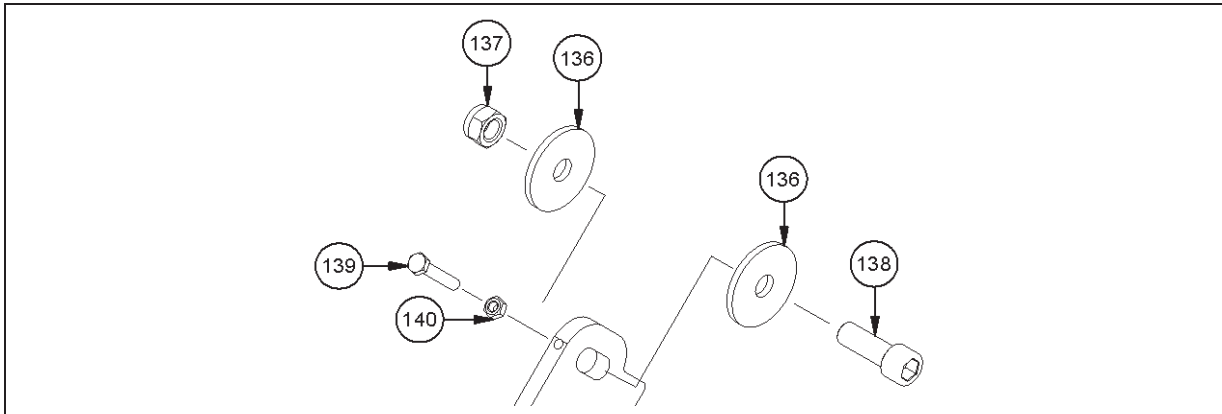


Pos.	Part number	Description	Dimensions	Notes	Rep.	S ^(a)	E ^(a)	L ^(a)
	GAS0017	Mounting kit position switch						1

(a Design: S = steel, galvanised; E = stainless steel; L = steel, painted

Pivot

Detail G



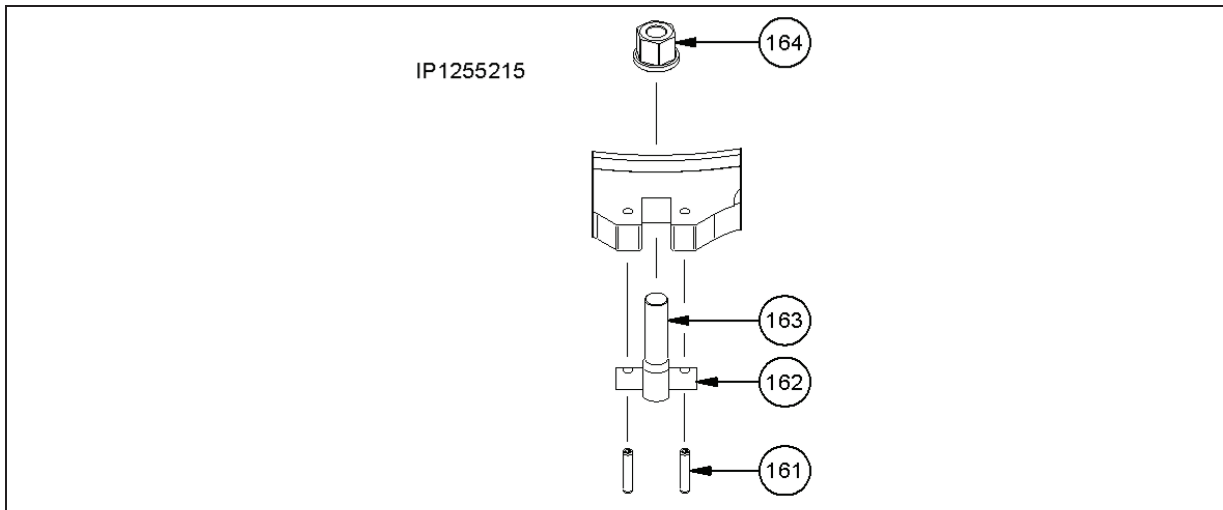
Position 136-140

Pos.	Part number	Description	Dimensions	Notes	Rep.	S ^(a)	E ^(a)	L ^(a)
136	NUS.090	Washer	F; 16 x 5 x 60 x 5	DIN 522		4	-	4
	NUS.090.E	Washer	F; 16 x 5 x 60 x 5	DIN 522		-	4	-
137	NMK.007	Hexagon nut	M 16	DIN 985		2	-	2
	NMK.007.EE	Hexagon nut	M 16	DIN 985		-	2	-
138	NSI.045	Cylinder head bolt	M 16 x 45	ISO 4762		2	-	2
	NSI.045.EE	Cylinder head bolt	M 16 x 45	ISO 4762		-	2	-
139	NSK.126	Hexagon head bolt	M 8 x 45	DIN 933		2	-	2
	NSK.203	Hexagon head bolt	M 8 x 45	DIN 933		-	2	-
140	NMS.002	Hexagon nut	M 8	DIN 934-8		2	-	2
	NMS.002.E	Hexagon nut	M 8	DIN 934-8		-	2	-

(a Design: S = steel, galvanised; E = stainless steel; L = steel, painted

Clamping fastener





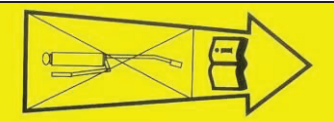
Detail H



Position 160-164

Pos.	Part number	Description	Dimensions	Notes	Rep.	S ^(a)	E ^(a)	L ^(a)
161	NSP.031.E	Spring pin	6 mm x 30 mm	ISO 8752			8	
162	GRS0256	Take-up shaft	M 10			2	-	2
	GRS0484	Take-up shaft	M 10	1.4571		-	2	-
163	NSH0008	Eye bolt	M 10 x 55	DIN 444		2	-	2
	NSH0009	Eye bolt	M 10 x 55	DIN 444		-	2	-
164	NMK.056	Hexagon nut	M 10			2	-	2
	NMK.018.EE	Hexagon nut	M 10			-	2	-

Safety sticker

Pos.	Part number	Description	Dimensions	Notes	Rep.	S ^(a)	E ^(a)	L ^(a)
	VAU.013.EN	Sticker					1	
	VAU.133	Sticker					1	
	VAU.014	Sticker					1	
	VAU.109	Sticker					1	
	VAU.130	Sticker					1	



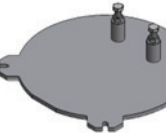
Cyclone separator

	VAU.142.EN	Sticker					1	
--	------------	---------	---	--	--	--	---	--

INLINE

	VAU.144.EN	Sticker					1	
--	------------	---------	--	--	--	--	---	--

Tools

Pos.	Part number	Description	Dimensions	Notes	Rep.	S ^(a)	E ^(a)	L ^(a)
	WKZ.082	Tool for installation the cutting blades					x	
In the case of manual preload								
	GMS.001	Open-end wrench		For preload locking nut				
Blind flange for RotaCut pot (allows for continued flow of the medium while repairs are made to the cutter head)								
	WKZ0485	-Inline -BioCut		1.0038 galvanised				

Necessary spare parts for blade change

Pos.	Part number	Description	Dimensions	Notes	Rep.	S ^(a)	E ^(a)	L ^(a)
Steel								
8	GFL.427.N3.M9	Cutting screen	Max. ø 20 mm	Medium; t = 12 mm		1	-	1
	GFL0035	Cutting screen	Max. ø 28 mm	Coarse				
	GFL.546.M9	Cutting screen	Max. ø 4 mm	Honey comb				
	GFL.570.M9	Cutting screen	Max. ø 8 mm	Honey comb				
	GFL.480.M9	Cutting screen	Max. ø 12 mm	Honey comb				
	GFL.449.M9	Cutting screen	Max. ø 15 mm	Honey comb				
Stainless steel								
8	GFL.427.N3.E3	Cutting screen	Max. ø 20 mm	Standard		(1)	1	(1)
	GFL.495.N1.E3	Cutting screen	Max. ø 28 mm	Coarse				
	GFL.546.E3	Cutting screen	Max. ø 4 mm	Honey comb				
	GFL.570.E3	Cutting screen	Max. ø 8 mm	Honey comb				
	GFL.480.E3	Cutting screen	Max. ø 12 mm	Honey comb				
	GFL.449.E3	Cutting screen	Max. ø 15 mm	Honey comb				
		Max. ø = max. free passage						
The cutting screen pos. 8 can be turned once so it doesn't have to be replaced until the next cutting blade change!								
9	GRS.203.EE	Clamp bolt				3	3	3
	GRS.202	Spring pin				3	-	3
	GRS.202.EE	Spring pin				-	3	-
11	GSM.006	Blade	8 mm	+ NSP.006		4	-	4
	GSM.006.E4	Blade; stainless steel	8 mm	+ NSP.033.E		3*	4 3*	3*
12	NSP.006	Spring pin	10 x 30	→ GSM.006			4 / 3*	
12	NSP.033.E	Spring pin	10 x 30 + 6 x 30	→ GSM.006.E4			4 / 3*	
	NSP.033.E	Spring pin	10 x 30 + 6 x 30				4 / 3*	
13	ZDFD.390.0110	PE cord					4 / 3*	

* Quantities or parts in case of rotor with 3 wings

Required spare parts for wear part replacement

Pos.	Part number	Description	Dimensions	Notes	Rep.	S ^(a)	E ^(a)	L ^(a)
2	DOR0021	O-ring	311 x 18	NBR		1	1	1
	DOR.073.SI	O-ring	320 x 18	MVQ				
3	GSW.013	Flywheel				1	-	-
Steel								
6	GAS.019	Internal gap sealing		1.0038		1	-	1
	NSI.006	Cylinder head bolt	M 10 x 30	Included in GAS.019		1	-	1
Steel								
8	GFL.427.N3.M9	Cutting screen	Max. ø 20 mm	Medium; t = 12 mm		1	-	1
	GFL0035	Cutting screen	Max. ø 28 mm	Coarse				
	GFL.546.M9	Cutting screen	Max. ø 4 mm	Honey comb				
	GFL.570.M9	Cutting screen	Max. ø 8 mm	Honey comb				
	GFL.480.M9	Cutting screen	Max. ø 12 mm	Honey comb				
	GFL.449.M9	Cutting screen	Max. ø 15 mm	Honey comb				
Stainless steel								
8	GFL.427.N3.E3	Cutting screen	Max. ø 20 mm	Standard		(1)	1	(1)
	GFL.495.N1.E3	Cutting screen	Max. ø 28 mm	Coarse				
	GFL.546.E3	Cutting screen	Max. ø 4 mm	Honey comb				
	GFL.570.E3	Cutting screen	Max. ø 8 mm	Honey comb				
	GFL.480.E3	Cutting screen	Max. ø 12 mm	Honey comb				
	GFL.449.E3	Cutting screen	Max. ø 15 mm	Honey comb				
		Max. ø = max. free passage						
The cutting screen pos. 8 can be turned once so it doesn't have to be replaced until the next cutting blade change!								
9	GRS.203.EE	Clamp bolt				3	3	3
	GRS.202	Spring pin				3	-	3
	GRS.202.EE	Spring pin				-	3	-
10	GFM.019.N2	Blade rotor		4 wings; groove 8 mm		1	1	1
	GFM.004.N2	Blade rotor		3 wings; groove 8 mm				
11	GSM.006	Blade	8 mm	+ NSP.006		4	-	4
	GSM.006.E4	Blade; stainless steel	8 mm	+ NSP.033.E		3*	4 3*	4 3*
11	GSM.006.T1.E4	Blade; stainless steel	8 mm	+ NSP.033.E; high version; for ACC only!		4 3*	4 3*	4 3*
12	NSP.006	Spring pin	10 x 30	→ GSM.006			4 / 3*	
12	NSP.033.E	Spring pin	10 x 30 + 6 x 30	→ GSM.006.E4			4 / 3*	
	NSP.033.E	Spring pin	10 x 30 + 6 x 30				4 / 3*	
13	ZDFD.390.0110	PE cord					4 / 3*	

* Quantities or parts in case of rotor with 3 wings

(a Design: S = steel, galvanised; E = stainless steel; L = steel, painted

VOGELSANG**Hugo Vogelsang Maschinenbau GmbH**

Holthöge 10-14
49632 Essen/Oldb.

Phone: +49 (0) 54 34 83 0
Fax: +49 (0) 54 34 83 10

vogelsang-gmbh.com
info@vogelsang-gmbh.com

ENGINEERED TO WORK

Australien
Vogelsang Pty. Ltd.
vogelsang.com.au

Indien
Vogelsang India Private Limited
vogelsangindia.com

Russland
Vogelsang Russland
vogelsang.ru

Brasilien
Vogelsang Brasil Ltda.
vogelsang.com.br

Irland
Vogelsang Irland
vogelsang.ie

Schweden
Vogelsang Sverige AB
vogelsang.se

China
Vogelsang Mechanical Engineering (Shanghai) Co., Ltd.
vogelsang.com.cn

Italien
Vogelsang Italy Srl
vogelsang-srl.it

Spanien
Vogelsang S.L.
vogelsang.es

Dänemark
Vogelsang A/S
vogelsang-as.dk

Malaysia
Vogelsang Malaysia
vogelsang.info

Südkorea
Vogelsang Korea Co., Ltd.
vogelsang.co.kr

Deutschland - Niederlassung Ost
Vogelsang Lutherstadt Eisleben
vogelsang-gmbh.com

Mexico
Vogelsang De México S.de R.L. de CV
vogelsang.mx

Tschechische Republik
Vogelsang CZ s.r.o.
vogelsang-czech.cz

Finnland
Vogelsang Oy
vogelsang.fi

Polen
Vogelsang Poland Sp. z o.o.
vogelsang.pl

USA
Vogelsang USA Ltd.
vogelsangusa.com

Frankreich
Vogelsang France S.A.R.L.
vogelsang.fr

Österreich
Vogelsang Austria GmbH
vogelsang-austria.at

Großbritannien
Vogelsang Ltd.
vogelsang.co.uk

Rumänien
Vogelsang Romania SRL
vogelsang.ro