



# Spare Parts List

**RotaCut®**

**3000 geared motor**

ENGINEERED TO WORK



**Spare parts list applies to orders from 2014-03-03 onwards**

**Issuer**

Hugo Vogelsang Maschinenbau GmbH  
Holthöge 10-14  
49632 Essen/Oldb.

Phone: +49 54 34 83 0  
Fax: +49 54 34 83 10

vogelsang-gmbh.com  
info@vogelsang-gmbh.com

In the absence of express, written authorisation from the issuer, the reproduction or partial reproduction of this document in any form is prohibited.

We reserve the right to make technical modifications to the diagrams and information presented in this document in the event that such modifications become necessary for the enhancement of the machine.

© 2015 Hugo Vogelsang Maschinenbau GmbH

**Registered trademarks of Vogelsang**

Vogelsang, RotaCut, PreMix, HiFlo, ACC, CFC, BioCrack, XTill, EnergyJet and BioCut are registered trademarks of Hugo Vogelsang Maschinenbau GmbH.

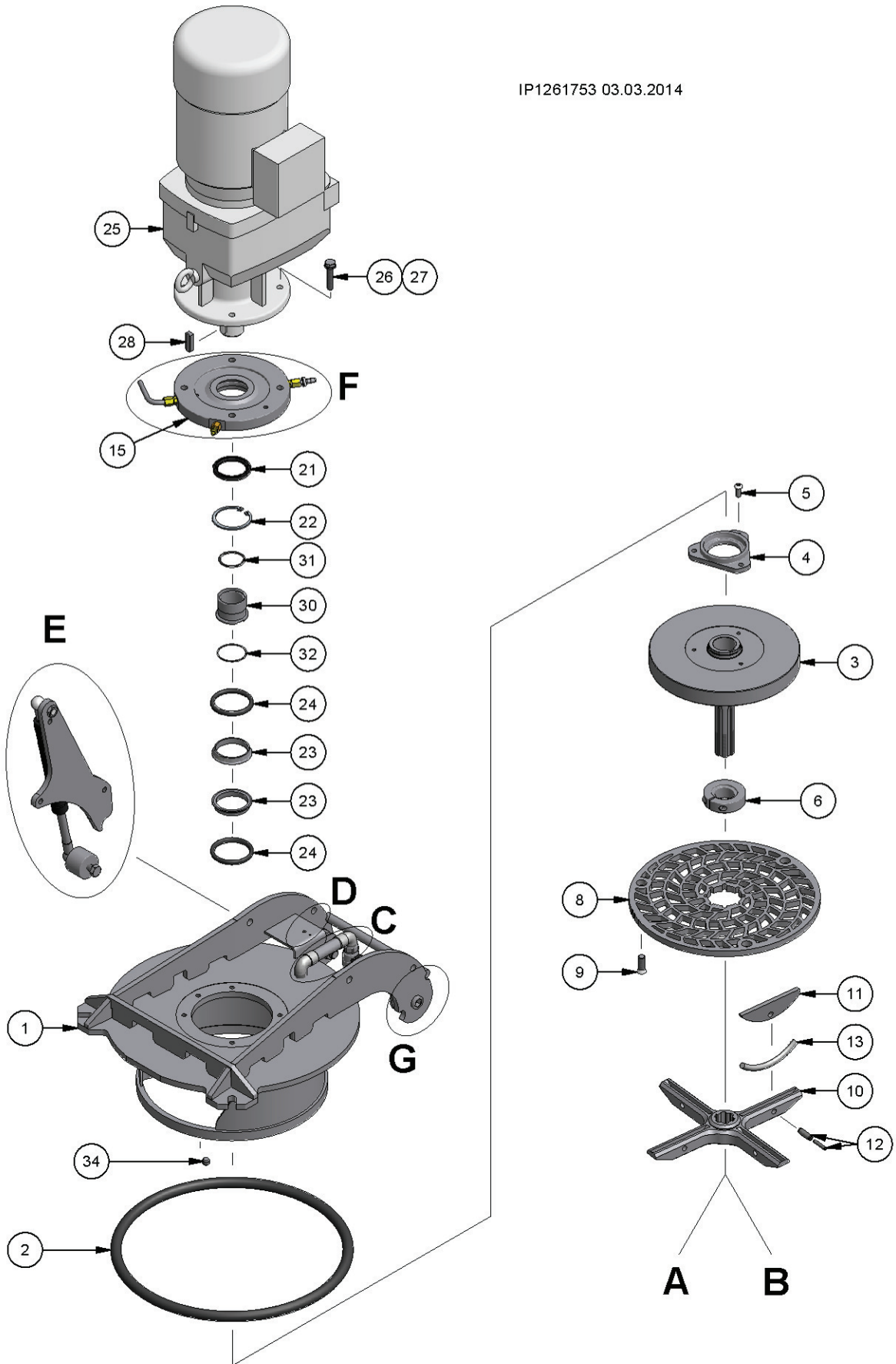
The registered trademarks are not always designated with an ® symbol in this document.

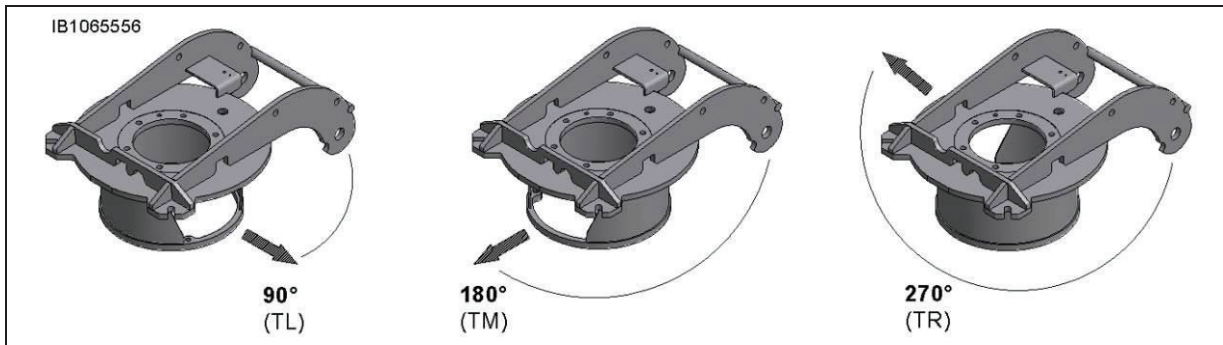
**Contents**

<b>Figure: Cutter head</b> .....	<b>4</b>
<b>Cutter head</b> .....	<b>5</b>
Position 1-2 .....	5
<b>Flywheel and accessories</b> .....	<b>5</b>
Position 3-6 .....	5
<b>Option: External gap sealing</b> .....	<b>6</b>
<b>Cutting screen</b> .....	<b>7</b>
Position 8-9 .....	7
<b>Blade rotor</b> .....	<b>7</b>
Position 10 .....	7
<b>Blade and accessories</b> .....	<b>7</b>
Position 11-13 .....	7
<b>Adapter geared motor</b> .....	<b>8</b>
<b>Detail F</b> .....	<b>8</b>
Pos. 15-22 .....	8
<b>Mechanical seal</b> .....	<b>8</b>
Position 23-24 .....	8
<b>Geared motor and accessories</b> .....	<b>9</b>
Position 25-29 .....	9
<b>Inner ring unit</b> .....	<b>9</b>
Position 30-34 .....	9
<b>Ball valve</b> .....	<b>9</b>
<b>Detail C</b> .....	<b>9</b>
Position 38-40 .....	9
<b>Manual preload</b> .....	<b>10</b>
<b>Detail A</b> .....	<b>10</b>
Pos. 46.1-52.1 .....	10
<b>Manual preload: oil supply for mechanical seal</b> .....	<b>10</b>
Pos. 55-63 .....	10
<b>Preload ACC (Automatic Cut Control)</b> .....	<b>11</b>
<b>Detail B</b> .....	<b>11</b>
Position 46-57 .....	11
<b>Figure: ACC pressure transmission unit</b> .....	<b>12</b>
<b>ACC pressure transmission unit</b> .....	<b>13</b>
Pos. 58-83 .....	13
<b>Holder pressure transmission unit</b> .....	<b>14</b>
Position 84-88 .....	14
<b>Pot</b> .....	<b>15</b>
Position 90 .....	15
<b>INLINE</b> .....	<b>15</b>
<b>Cyclone separator</b> .....	<b>16</b>
<b>BioCut</b> .....	<b>16</b>
<b>Blind flange + accessories</b> .....	<b>17</b>
Position 91-95 .....	17
<b>6 inch</b> .....	<b>17</b>
<b>Scraper (Option)</b> .....	<b>17</b>
<b>Adaptor flange DIN/ANSI</b> .....	<b>18</b>
Position 100-107 .....	18
<b>Pipe elbow BioCut</b> .....	<b>19</b>
Position 108-113 .....	19
<b>Safety switch</b> .....	<b>20</b>
<b>Detail D</b> .....	<b>20</b>
Position 115-118 .....	20
<b>Pivot</b> .....	<b>21</b>
<b>Detail G</b> .....	<b>21</b>
Position 136-140 .....	21
<b>Gas spring</b> .....	<b>22</b>
<b>Detail E</b> .....	<b>22</b>
Pos. 128-135 .....	22
<b>Clamping fastener</b> .....	<b>23</b>
<b>Detail H</b> .....	<b>23</b>
Position 160-164 .....	23
<b>Accessories</b> .....	<b>23</b>
Pos. 180-182 .....	23
<b>Safety sticker</b> .....	<b>24</b>
<b>Tools</b> .....	<b>25</b>
<b>Operating material</b> .....	<b>25</b>
<b>Required spare parts for mechanical seal change</b> .....	<b>26</b>
<b>Necessary spare parts for blade change</b> .....	<b>27</b>
<b>Required spare parts for wear part replacement</b> .....	<b>28</b>

Figure: Cutter head

IP1261753 03.03.2014





**Cutter head**  
Position 1-2

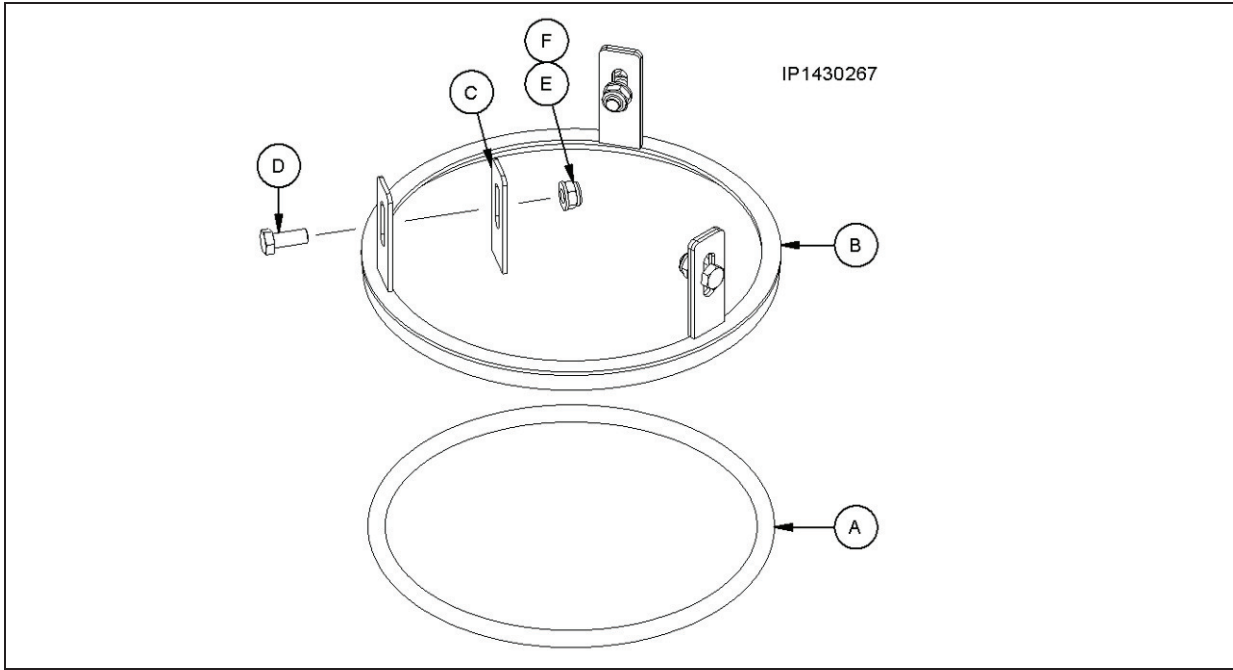
Pos.	Part number	Description	Dimensions	Notes	Rep.	S <sup>(a)</sup>	E <sup>(a)</sup>	L <sup>(a)</sup>
<b>1.0038 galvanised</b>								
1	GSK0155	Cutter head	180° (TM)			1	-	-
	GSK0158	Cutter head	90° (TL)					
	GSK0159	Cutter head	270° (TR)					
<b>1.0038 painted</b>								
1	GSK0156	Cutter head	180° (TM)			-	-	1
<b>1.4571</b>								
1	GSK0157	Cutter head	180° (TM)			-	1	-
2	DOR0021	O-ring	311 x 18	NBR		1	1	1
	DOR.073.SI	O-ring	320 x 18	MVQ				

**Flywheel and accessories**  
Position 3-6

Pos.	Part number	Description	Dimensions	Notes	Rep.	S <sup>(a)</sup>	E <sup>(a)</sup>	L <sup>(a)</sup>
3	GSW.016	Flywheel		Includes pos. 4 + 5		1	1	1
4	PRS.113	Seal support				1	1	1
5	NSI.134.E	Pan head bolt	M 8 x 20	ISO 7380		3	3	3
<b>Steel</b>								
6	GAS.019	Internal gap seal		1.0038		1	-	1
	NSI.006	Cylinder head bold	M 10 x 30	Contained in GAS.019		1	-	1
<b>Stainless steel</b>								
6	GAS.019.E	Internal gap seal		1.4571		-	1	-
	NSI.034	Cylinder head bold	M 10 x 30	Contained in GAS.019.E		-	1	-

(a Design: S = steel, galvanised; E = stainless steel; L = steel, painted

**Option: External gap sealing**



Pos.	Part number	Description	Dimensions	Notes	Rep.	S <sup>(a)</sup>	E <sup>(a)</sup>	L <sup>(a)</sup>
	GAS.013.T1	External gap sealing		Steel		1	-	1
	GAS.013.T1.E	External gap sealing		Stainless steel		-	1	
A	DOR.131	O-ring	Ø 260 mm x 12 mm				1	
B	GVE.001.T1	Welded assembly		1.0038		1	-	1
	GVE.001.T1.E	Welded assembly		1.4571		-	1	
C	GFL.548.T1	Bracket		1.0038		3	-	3
	LFL.548.T1.E	Bracket		1.4571		-	3	
D	NSK.027	Hexagon head bolt	M 10 x 25			3	-	3
	NSK.027.EE	Hexagon head bolt	M 10 x 25			-	3	
E	NMK.001	Hexagon nut	M 10			3	-	3
	NMK.001.EE	Hexagon nut	M 10			-	3	
F	NUS.004	Washer	A 10,5 x 20 x 2			3	-	3
	NUS.004	Washer	A 10,5 x 20 x 2			-	3	

(a Design: S = steel, galvanised; E = stainless steel; L = steel, painted

### Cutting screen

#### Position 8-9

Pos.	Part number	Description	Dimensions	Notes	Rep.	S <sup>(a)</sup>	E <sup>(a)</sup>	L <sup>(a)</sup>
<b>Steel</b>								
8	GFL.427.N3.M9	Cutting screen	Max. ø 20 mm	Medium; t = 12 mm		1	-	1
	GFL0035	Cutting screen	Max. ø 28 mm	Coarse				
	GFL.546.M9	Cutting screen	Max. ø 4 mm	Honey comb				
	GFL.570.M9	Cutting screen	Max. ø 8 mm	Honey comb				
	GFL.480.M9	Cutting screen	Max. ø 12 mm	Honey comb				
	GFL.449.M9	Cutting screen	Max. ø 15 mm	Honey comb				
<b>Stainless steel</b>								
8	GFL.427.N3.E3	Cutting screen	Max. ø 20 mm	Standard		(1)	1	(1)
	GFL.495.N1.E3	Cutting screen	Max. ø 28 mm	Coarse				
	GFL.546.E3	Cutting screen	Max. ø 4 mm	Honey comb				
	GFL.570.E3	Cutting screen	Max. ø 8 mm	Honey comb				
	GFL.480.E3	Cutting screen	Max. ø 12 mm	Honey comb				
	GFL.449.E3	Cutting screen	Max. ø 15 mm	Honey comb				
		Max. ø = max. free passage						
9	GRS.203.EE	Clamp bolt				3	3	3
	GRS.202	Spring pin				3	-	3
	GRS.202.EE	Spring pin				-	3	-

### Blade rotor

#### Position 10

Pos.	Part number	Description	Dimensions	Notes	Rep.	S <sup>(a)</sup>	E <sup>(a)</sup>	L <sup>(a)</sup>
10	GFM.019.N2	Blade rotor		4 wings; groove 8 mm		1	1	1
	GFM.004.N2	Blade rotor		3 wings; groove 8 mm				
	GFM.008.N2.T2	Blade rotor		6 wings; groove 5 mm				

### Blade and accessories

#### Position 11-13

Pos.	Part number	Description	Dimensions	Notes	Rep.	S <sup>(a)</sup>	E <sup>(a)</sup>	L <sup>(a)</sup>
11	GSM.006	Cutting blade	8 mm	+ NSP.006		4 / 3*		
	GSM.006.E4	Cutting blade	8 mm	Stainless steel				
	GSM.006.T1.E4	Cutting blade	8 mm	Stainless steel high version; only for ACC!				
	GSM.006.T2.E4	Cutting blade	5 mm	Stainless steel				
12	NSP.006	Spring pin	10 x 30	→ GSM.006		4 / 3* / 6**		
12	NSP.030.E	Spring pin	10 x 30	→ GSM.006.E4 → GSM.006.T1.E4		4 / 3* / 6**		
	NSP.031.E	Spring pin	6 x 30	→ GSM.006.T2.E4		4 / 3* / 6**		
13	ZDFD.390.0110	Polyethylene cord				4 / 3* / 6**		

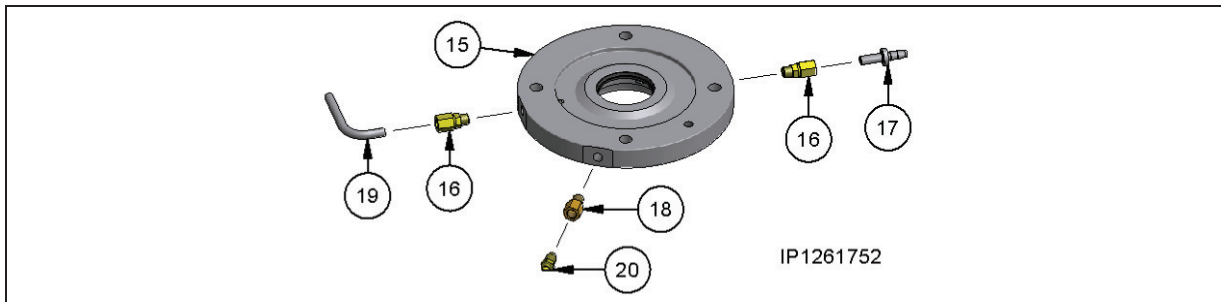
\* Quantities or parts in case of rotor with 3 wings

\*\* Quantities or parts in case of rotor with 6 wings

(a Design: S = steel, galvanised; E = stainless steel; L = steel, painted

**Adapter geared motor**

**Detail F**



**Pos. 15-22**

Pos.	Part number	Description	Dimensions	Notes	Rep.	S <sup>(a)</sup>	E <sup>(a)</sup>	L <sup>(a)</sup>
15-22	GRT0013	Adaptor; pre-installed		1.0038 galvanized		x	-	x
	GRT0014	Adaptor; pre-installed		1.4574		-	x	-
15	GRS0043	Adaptor		1.0038 galvanised		1	-	1
	GRS0044	Adaptor		1.4571		-	1	-
16	NGE.058	Coupling					2	
17	NGE.120	Barbed fitting	BEL; DN6				1	
18	GRS.207	Coupling	8 x 1				1	
19	PRS.116	Inspection pipe					1	
20	NLV.001	Breather valve					1	
21	DWD.054	Radial shaft seal ring	50 x 65 x 7	NBR			1	
22	NSR.015	Retaining ring	1 65 x 2.5				2	

**Mechanical seal**

**Position 23-24**

Pos.	Part number	Description	Dimensions	Notes	Rep.	S <sup>(a)</sup>	E <sup>(a)</sup>	L <sup>(a)</sup>
23	DGL.D003.N1	Mechanical seal	76.97-H3200	Duronit			2	
	DGL.D003.SC	Mechanical seal	76.97-H3200	SiSiC (silicon carbide)				
24	DOR.024.HNB	O-ring	58 x 73 x 7.5	HNBR			2	
	DOR.024.VI	O-ring	58 x 73 x 7.5	FPM				

(a Design: S = steel, galvanized; E = stainless steel; L = steel, painted



### Geared motor and accessories

#### Position 25-29

Pos.	Part number	Description	Dimensions	Notes	Rep.	S <sup>(a)</sup>	E <sup>(a)</sup>	L <sup>(a)</sup>
25	AGM1178	Geared motor	SK32FVL-90LH/4TF	1,5 kW; 76 min <sup>-1</sup>		1		
	AGM1179	Geared motor	SK32FVL-100LH/4TF	2,2 kW; 183 min <sup>-1</sup>				
	AGM1180	Geared motor	SK32FVL-100LH/4TF	2,2 kW; 274 min <sup>-1</sup>				
	AGM1181	Geared motor	SK32FVL-100LH/4TF	2,2 kW; 326 min <sup>-1</sup>				
	AGM1182	Geared motor	SK32FVL-100AH/4TF	3 kW; 270 min <sup>-1</sup>				
	AGM1183	Geared motor	SK32FVL-112MH/4TF	4 kW; 262 min <sup>-1</sup>				
	AGM1184	Geared motor	SK32FVL-132SH/4TF	5,5 kW; 330 min <sup>-1</sup>				
	NGE0060	Vent screw for geared motor					x	
25.1	DWD.075	Radial shaft seal ring	50 x 80 x 10	Contained in geared motor		1	1	1
26	NSK.005	Hexagon head bolt	M 10 x 50			4	-	4
	NSK.177	Hexagon head bolt	M 10 x 50	Stainless steel		-	4	-
27	NUS.004	Washer	10.5 x 20 x 2			4	-	4
	NUS.004.EE	Washer	10.5 x 20 x 2	Stainless steel		-	4	-
28	NPF0016	Fitting key	AB 12 x 8 x 52				1	

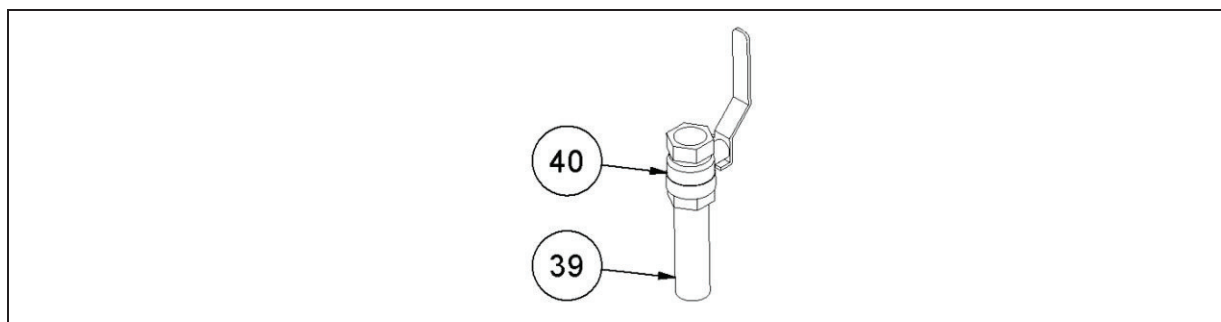
### Inner ring unit

#### Position 30-34

Pos.	Part number	Description	Dimensions	Notes	Rep.	S <sup>(a)</sup>	E <sup>(a)</sup>	L <sup>(a)</sup>
30	IBA1373	Inner ring unit					1	
31	DOR0264	O-ring	Ø 37 mm x 3.5 mm	NBR			1	
32	DOR0263	O-ring	Ø 48 mm x 2. mm	NBR			1	
34	NGS.100	Hexagon socket set screw	M 10 x 8	DIN 913		1	-	1
	NGS.100.EE	Hexagon socket set screw	M 10 x 8	DIN 913; A4		-	1	-

### Ball valve

#### Detail C



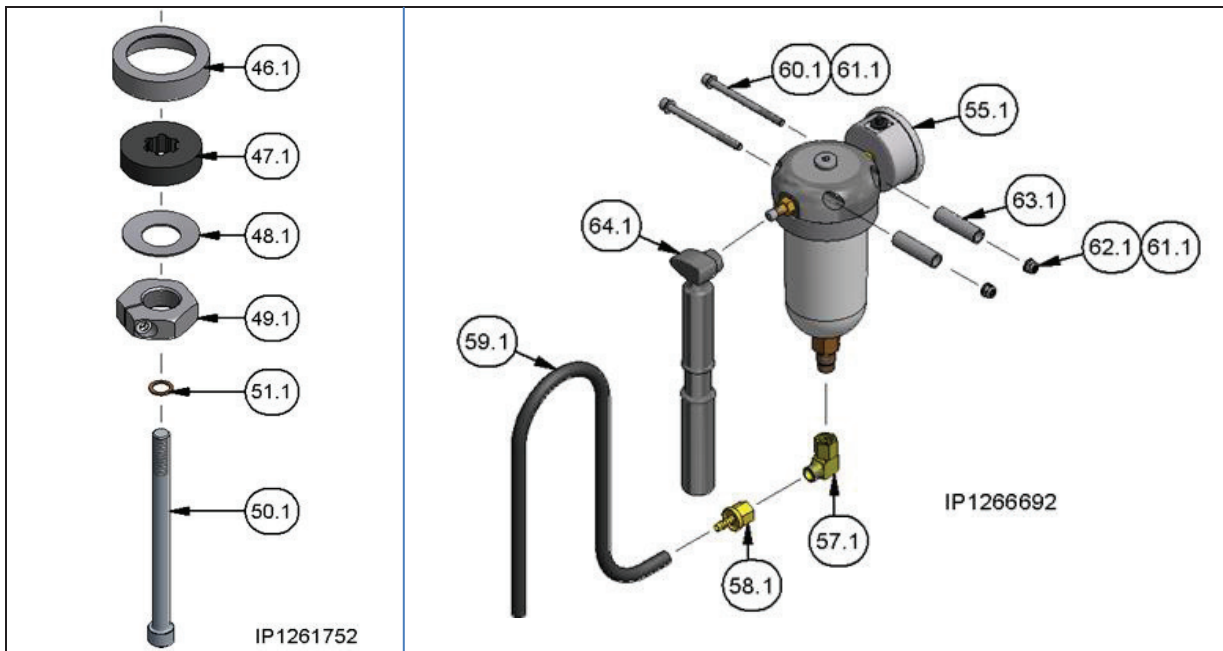
#### Position 38-40

Pos.	Part number	Description	Dimensions	Notes	Rep.	S <sup>(a)</sup>	E <sup>(a)</sup>	L <sup>(a)</sup>
39	HRS0253	Pipe double nipple	3/4 inch x 100 mm			1	-	1
	NVE0038	Pipe double nipple	3/4 inch x 100 mm	1.4571		-	1	-
40	GHN.013	Ball valve	3/4 inch				1	

(a Design: S = steel, galvanised; E = stainless steel; L = steel, painted

**Manual preload**

Detail A



Pos. 46.1-52.1

Pos.	Part number	Description	Dimensions	Notes	Rep.	S <sup>(a)</sup>	E <sup>(a)</sup>	L <sup>(a)</sup>
46.1	PRS.100	Protection for rubber discs + spring washers				1	1	1
47.1	DFD.110	Rubber disc				1	1	1
48.1	NTF.001	Spring washer				1	1	1
49.1	NMS.016	Tensioning nut		With locking screw		1	1	1
50.1	NSI.051	Cylinder head bolt	M 16 x 220			1	-	1
	NSI.051.E	Cylinder head bolt	M 16 x 220	Stainless steel		-	1	-
51.1	DKR.005	Copper ring	C 16 x 22 x 2	DIN 7603		1	1	1

**Manual preload: oil supply for mechanical seal**

Pos. 55-63

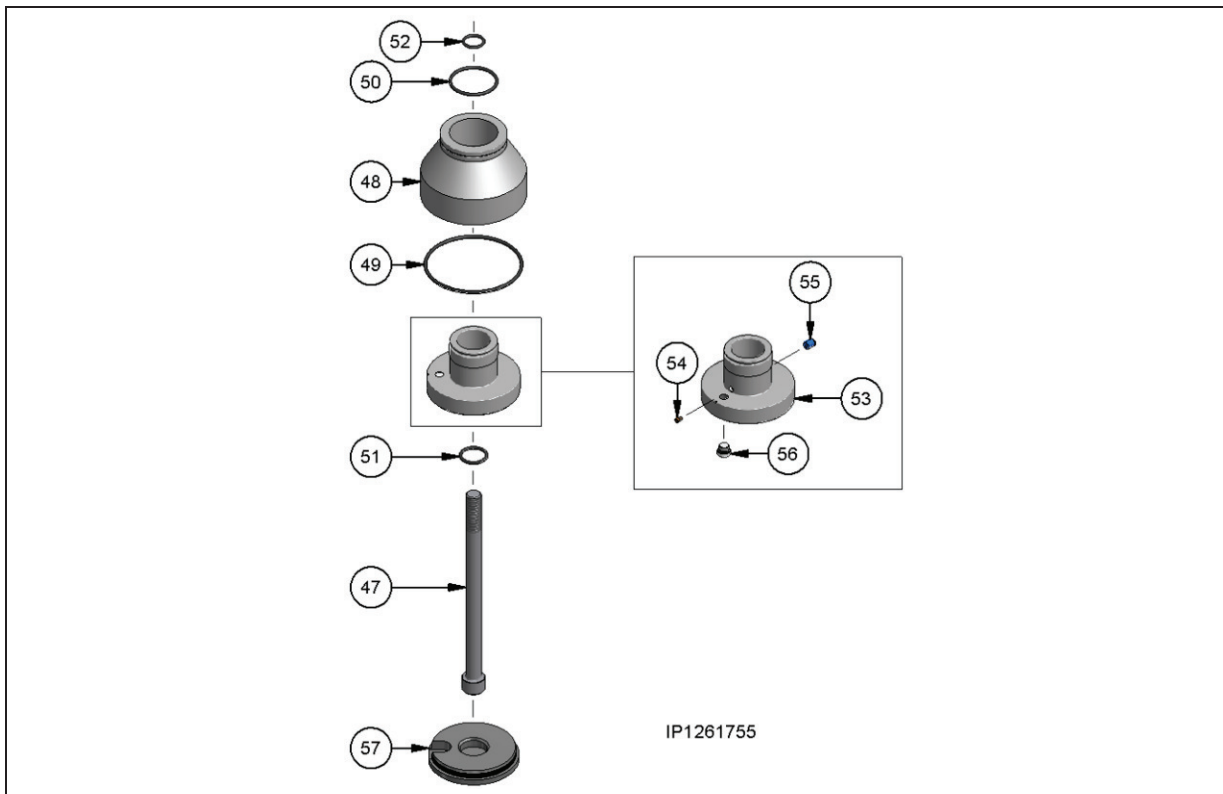
Pos.	Part number	Description	Dimensions	Notes	Rep.	S <sup>(a)</sup>	E <sup>(a)</sup>	L <sup>(a)</sup>
55.1	PSG0004	Oil tank				1	-	1
	DOR.147	O-ring	68 x 3	Included in PSG0004		(1)	-	(1)
57.1	NGE.086	Elbow coupling	EEL 08L	Pre-installed		1	-	1
58.1	NVR.003	Seal bonnet				1	-	1
59.1	HSC.015 <sup>(5)</sup>	Plug-in hose	DN 6					1,1 m
60.1	NSI0048	Cylinder head bolt	M 6 x 85	ISO 4762		2	-	2
61.1	NUS.002	Washer	A 6,4 x 12 x 1,6	DIN 125		4	-	4
62.1	NMK.001	Hexagon nut	M 6	DIN 985		2	-	2
63.1	HRS.104	Pipe cut				2	-	2
	AHP.001	Manual air pump					1	

<sup>(5)</sup> Please specify length when spare parts order!

(a Design: S = steel, galvanised; E = stainless steel; L = steel, painted

**Preload ACC (Automatic Cut Control)**

Detail B

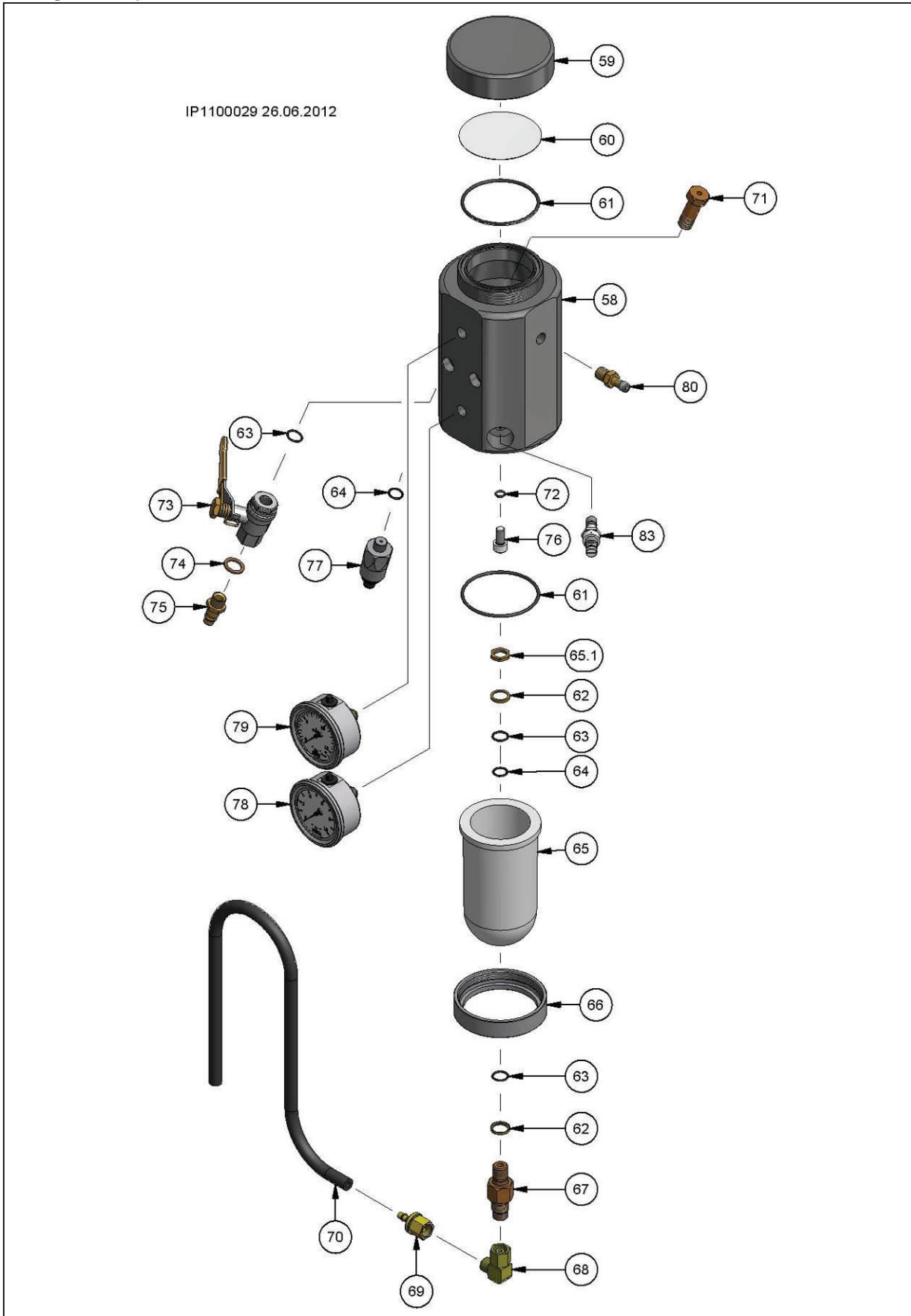


Position 46-57

Pos.	Part number	Description	Dimensions	Notes	Rep.	S <sup>(a)</sup>	E <sup>(a)</sup>	L <sup>(a)</sup>
46	NUS.098.E	Shim	75 x 36 x 1	Option			0-4	
47	NSI.097	Cylinder head bolt	M 16 x 230	ISO 4762		1	-	1
	NSI.097.E	Cylinder head bolt	M 16 x 230	ISO 4762		-	1	-
	<b>GRT.001.N2</b>	<b>ACC complete</b>		Contains pos. 48 - 57				
48	GRS.079.E.N2	ACC cylinder		18 mm stroke			1	
<b>NBR</b>								
49	DOR.046	O-ring	96 x 3	NBR			1	
50	DOR.072	O-ring	45 x 3	NBR			1	
51	DOR.021	O-ring	24 x 3	NBR			1	
52	DOR.079	O-ring	18.4 x 2.7	NBR			1	
<b>FPM (Option)</b>								
49	DOR.046.VI	O-ring	96 x 3	FPM			1	
50	DOR.072.VI	O-ring	45 x 3	FPM			1	
51	DOR.021.VI	O-ring	24 x 3	FPM			1	
52	DOR.079.VI	O-ring	18.4 x 2.7	FPM			1	
	<b>GRT.006.N1</b>	<b>ACC piston pre-installed</b>		Contains pos. 53-56				
53	GRS.078.E.N2	ACC piston		18 mm stroke			1	
54	GRS.146	Throttle					1	
	GRS.147	Screw plug	M 4 x 7	(Option)				
55	PSV.006	Check valve					1	
56	NSK0005	Screw plug					1	
57	NST0002	Protective cap					1	

(a Design: S = steel, galvanised; E = stainless steel; L = steel, painted

Figure: ACC pressure transmission unit



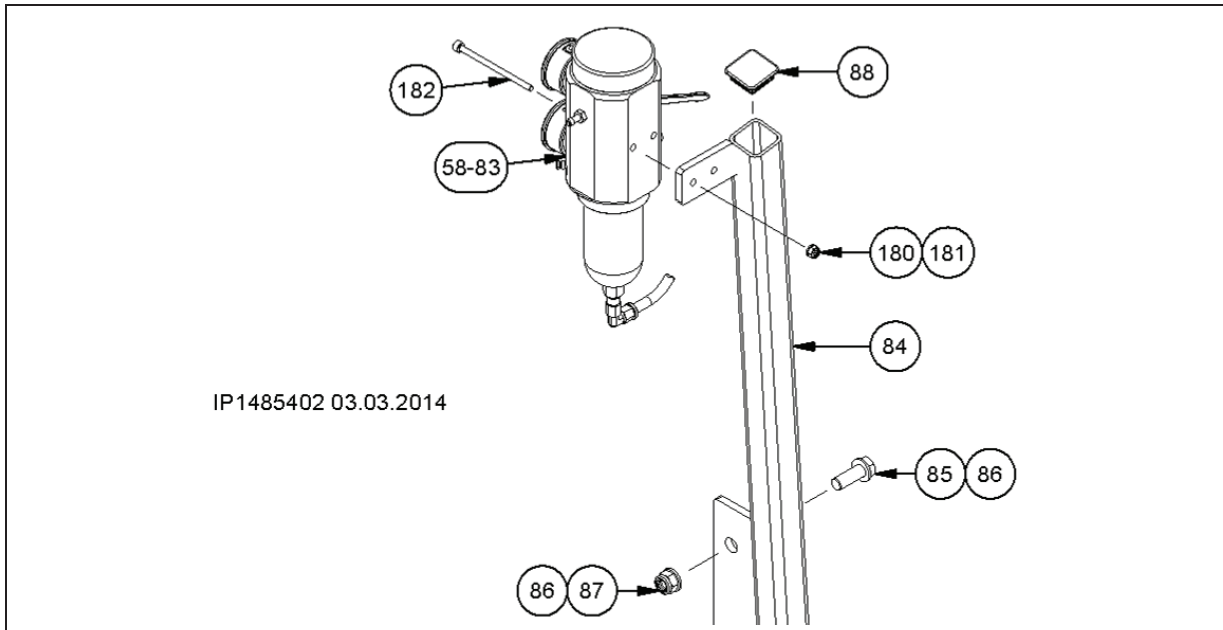
**ACC pressure transmission unit**

Pos. 58-83

Pos.	Part number	Description	Dimensions	Notes	Rep.	S <sup>(a)</sup>	E <sup>(a)</sup>	L <sup>(a)</sup>
	<b>GRT0060</b>	<b>Pressure transmission unit</b>		Includes pos. 58-83				
58	GRS0195	Housing					1	
59	GRS0171	Cover					1	
60	RFL3683	Sealing plate					1	
61	DOR.147	O-ring	68 x 3	NBR			2	
62	NDR.001	Support ring	M12				2	
63	DOR.040	O-ring	12 x 2				2	
64	DOR.104	O-ring	11 x 1.5				3	
65	AHA.027	Oil tank					1	
65.1	NMS0014	Flat nut	M14 x 1				1	
66	NGE0076	Threaded ring					1	
67	PRS0033	Coupling					1	
68	NGE.086	Elbow coupling	EEL 08L				1	
69	NVR.003	Seal bonnet	DKL, DN6				1	
70	HKU0013	Hose	DN 6 x 1100 mm				1	
71	PRS0397	Hollow screw	¼ inch				1	
72	DOR.128	O-ring	7.5 x 1.5				1	
73	GHN.057	Ball valve	¼"				1	
74	DKR.006	Sealing ring	A 14 x 20 x 1.5	DIN 7603			1	
75	NGE.088	Pneumatic plug nipple					1	
76	NSI0023	Cylinder head bolt	M8 x 16				1	
77	SDS0003	Normally closed contact for pressure control switch	24 V	1 to 10 bar			1	
	EKT0012	Plug with cable (5 m)	M12				1	
78	SMD.049	Pressure gauge		0 to 10 bar			1	
79	SMD0029	Pressure gauge		0 to 16 bar			1	
80	NGE0109	Screwed valve					1	
83	APV0022	Pressure regulator hollow screw	G1/8	1-8 bar			1	
	AHP.002	Manual air pump					1	

(a Design: S = steel, galvanised; E = stainless steel; L = steel, painted

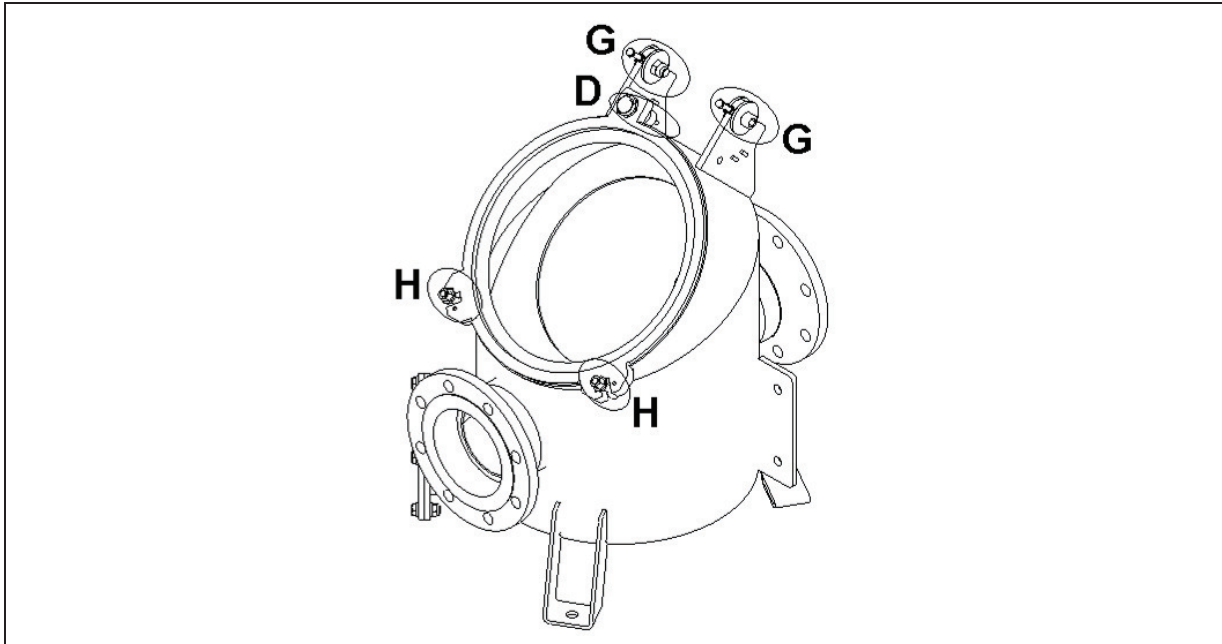
**Holder pressure transmission unit**  
Position 84-88



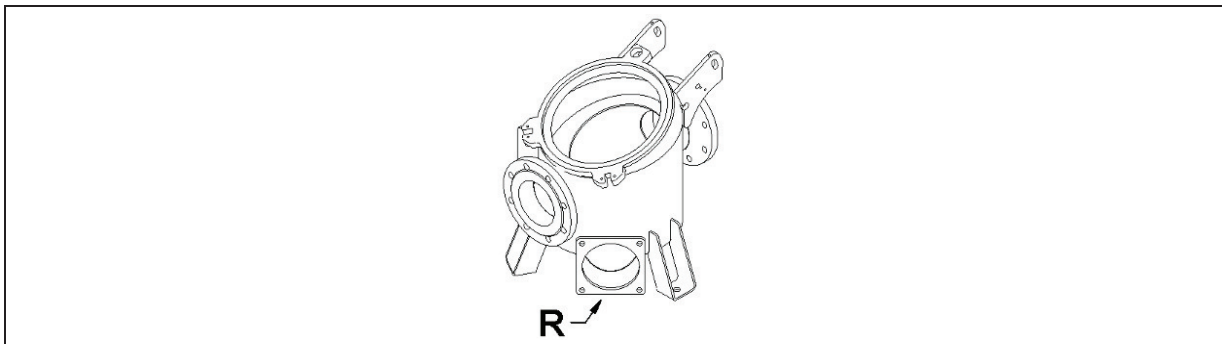
Pos.	Part number	Description	Dimensions	Notes	Rep.	S <sup>(a)</sup>	E <sup>(a)</sup>	L <sup>(a)</sup>
84	RCS0108	Holder		1.0038 galvanised		1	-	-
	RCS0109	Holder		1.4571		-	1	-
	RCS0140	Holder		1.0038 painted		-	-	1
85	NSK.054	Hexagon head bolt	M 16 x 45	DIN 933		2	-	2
	NSK.054.EE	Hexagon head bolt	M 16 x 45	DIN 933		-	2	-
86	NUS.007	Washer	A; 17 x 30 x 3	DIN 125		4	-	4
86	NUS.007.EE	Washer	A; 17 x 30 x 3	DIN 125		-	4	-
87	NMK.007	Hexagon nut	M 16	DIN 985		2	-	2
	NMK.007.EE	Hexagon nut	M 16	DIN 985		-	2	-
88	NST0003	Square pipe plug	50 x 50 x 14 x 5			1	1	1

(a Design: S = steel, galvanised; E = stainless steel; L = steel, painted

**Pot**  
**Position 90**



**INLINE**



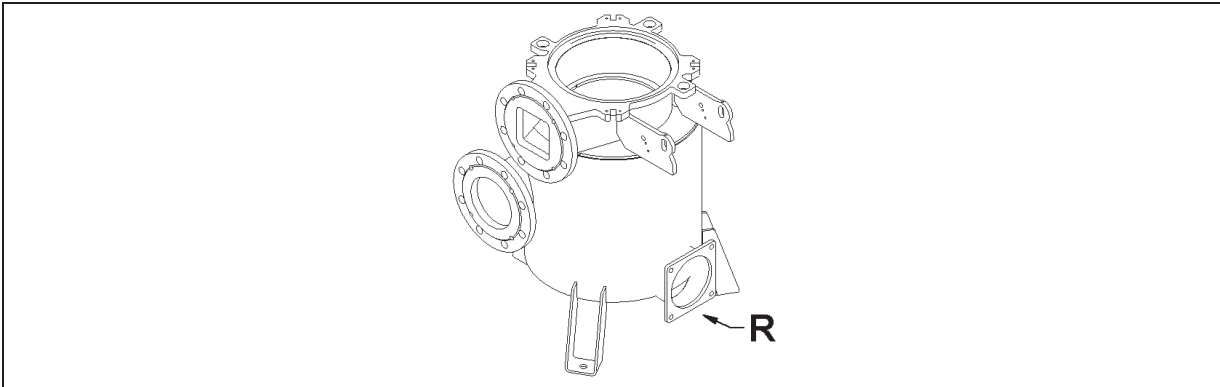
**R1:** Cleaning port 6 inch + blind flange 6 inch (pos. 91-94)  
**R2:** Cleaning port 6 inch + adaptor flange 6 inch DIN/ ANSI (pos.100-107)

Pos.	Part number	Description	Dimensions	Notes	Rep.	S <sup>(a)</sup>	E <sup>(a)</sup>	L <sup>(a)</sup>
<b>1.0038, galvanised</b>								
90	GRC0354	Pot Inline	DN 100/ DN 125	(* Right		1	-	-
	GRC0348	Pot Inline	DN 125/ DN 125	(* Right				
	GRC0353	Pot Inline	DN 150/ DN 150 (combi-flange)	(* Right				
	GRC0357	Pot Inline	4 inch/ 4 inch (ANSI-Flansch)	(* Right				
	GRC0351	Pot Inline	DN 125/ DN 125	(* Left				
<b>1.0038, painted</b>								
90	GRC0356	Pot Inline	DN 100/ DN 100	(* Right		-	-	1
	GRC0350	Pot Inline	DN 125/ DN 125	(* Right				
	GRC0386	Pot Inline	DN 150/ DN 150	(* Right				
	GRC0387	Pot Inline	DN 150/ DN 150	(* Left				
<b>1.4571</b>								
90	GRC0349	Pot Inline	DN 125/ DN 125	(* Right		-	1	-
	GRC0352	Pot Inline	DN 125/ DN 125	(* Left				
	GRC0386	Pot Inline	DN 150/ DN 150	(* Right				
	GRC0387	Pot Inline	DN 150/ DN 150	(* Left				

(\* Position of cleaning port

(a Design: S = steel, galvanised; E = stainless steel; L = steel, painted

**Cyclone separator**

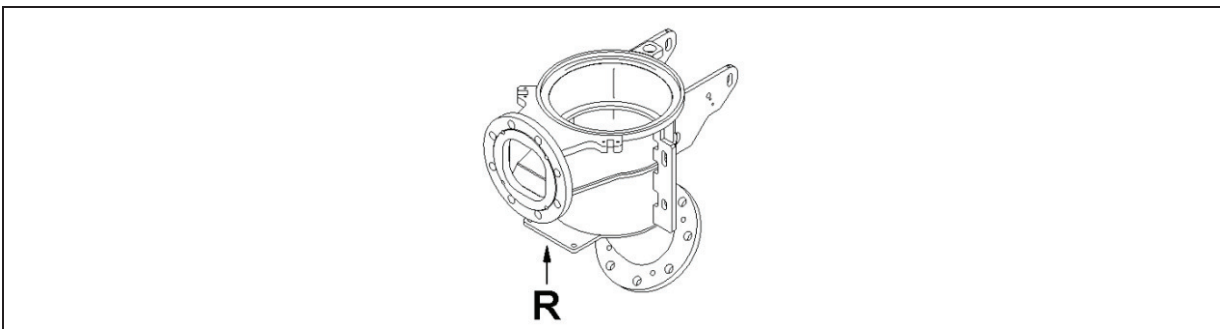


R: Cleaning port 6 inch + blind flange 6 inch (pos. 91-95)

Pos.	Part number	Description	Dimensions	Notes	Rep.	S <sup>(a)</sup>	E <sup>(a)</sup>	L <sup>(a)</sup>
<b>1.0038 galvanised</b>								
90	GRC0358	Cyclone separator	DN 150/ DN 150	(**		1	-	-
	GRC0377	Cyclone separator	DN 150/ DN 150	Mounting of three-point base (**				
<b>1.0038 painted</b>								
90	GRC0374	Cyclone separator	DN 150	(**		-	-	1
	GRC0379	Cyclone separator	DN 150	Mounting of three-point base (**				

(\*\* custom welded as per TINF.RC.005.DE.EN

**BioCut**



- R 1: Cleaning port 6 inch + pipe elbow draining connection BioCut (Pos.108-113) + blind flange 6 inch (Pos.91-94)
- R 2: Cleaning port 6 inch + pipe elbow draining connection BioCut (Pos.108-113) + adaptor flange 6 inch auf DIN/ ANSI (Pos.101-107)
- R 3: Cleaning port 6 inch + blind flange 6 inch (Pos. 91-94)

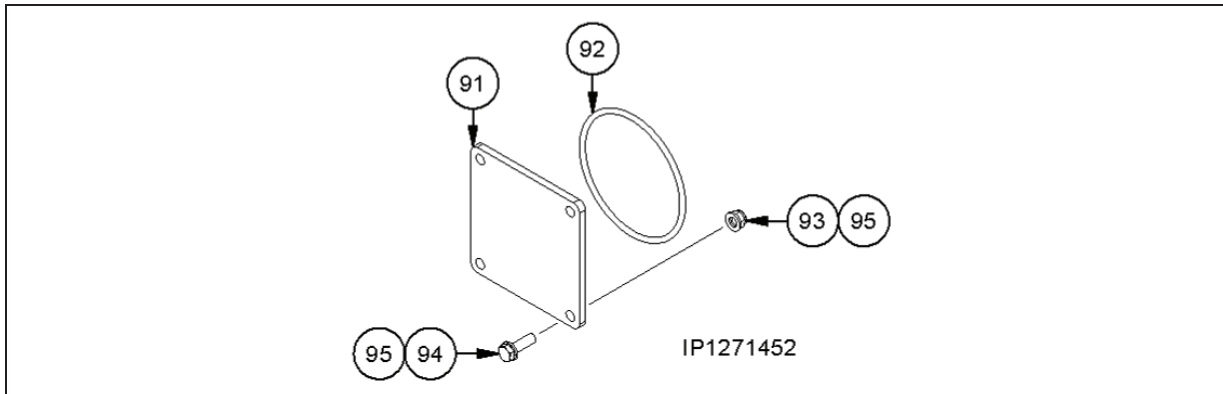
Pos.	Part number	Description	Dimensions	Notes	Rep.	S <sup>(a)</sup>	E <sup>(a)</sup>	L <sup>(a)</sup>
90	GRC0382	BioCut	DN 150/ DN 150	1.0038 galvanised		1	-	-
	GRC0383	BioCut	DN 150/ DN 150	1.0038 painted		-	-	1
	GRC0384	BioCut	DN 150/ DN 150	1.4571		-	1	-

(a Design: S = steel, galvanised; E = stainless steel; L = steel, painted



**Blind flange + accessories**

Position 91-95



**6 inch**

Pos.	Part number	Description	Dimensions	Notes	Rep.	S <sup>(a)</sup>	E <sup>(a)</sup>	L <sup>(a)</sup>
91-95	GAS0001	Mounting kit blind flange	6 inch	NBR; 1.0038 galvanised		x	-	-
	GAS0002	Mounting kit blind flange	6 inch	NBR; 1.4571		-	x	-
	GAS0004	Mounting kit blind flange	6 inch	NBR; 1.0038 painted		-	-	x
	GAS0031	Mounting kit blind flange	6 inch	MVQ; 1.0038 galvanised		x	-	-
	GAS0032	Mounting kit blind flange	6 inch	MVQ; 1.4571		-	x	-
	GAS0033	Mounting kit blind flange	6 inch	MVQ; 1.0038 painted		-	-	x

Pos.	Part number	Description	Dimensions	Notes	Rep.	S <sup>(a)</sup>	E <sup>(a)</sup>	L <sup>(a)</sup>
91	GFL.459	Blind flange	6 inch	1.0038 galvanised		1	-	-
	GFL.459.E	Blind flange	6 inch	1.4571		-	1	-
	GFL0216	Blind flange	6 inch	1.0038 painted		-	-	1
92	DOR.016	O-ring	160 x 7	NBR		1	1	1
	DOR.016.SI	O-ring	160 x 7	MVQ; FEP coated				

**Steel**

93	NMK.002	Hexagon nut	M 12	DIN 985		4	-	4
94	NSK.030.E	Hexagon head bolt	M 12 x 40	DIN 933		4	-	4
95	NUS.005	Washer	A; 13 x 24 x 2,5	DIN 125		4	-	4

**Stainless steel**

93	NMK.002.EE	Hexagon nut	M 12	DIN 985		-	4	-
94	NSK.030.E	Hexagon head bolt	M 12 x 40	DIN 933		-	4	-
95	NUS.005.E	Washer	A; 13 x 24 x 2,5	DIN 125		-	4	-

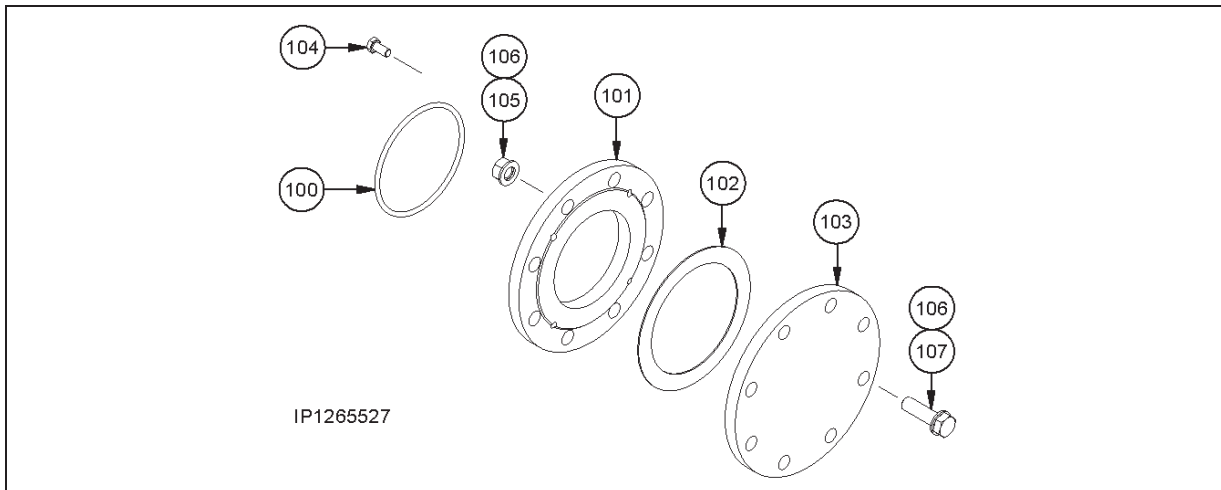
**Scraper (Option)**

Pos.	Part number	Description	Dimensions	Notes	Rep.	S <sup>(a)</sup>	E <sup>(a)</sup>	L <sup>(a)</sup>
	RFL.975.T1	Scraper		1.0038 galvanized		1	-	-
	RFL.975.T1.E	Scraper		1.4571		-	1	1
	NSK.003.EE	Hexagon head bolt	M 10 x 40	DIN 933				3
	NMK.001.EE	Hexagon nut	M 10	DIN 988				3
	NUS.004.E	Washer	A 10.5 x 20 x 2	DIN 125				3

(a Design: S = steel, galvanised; E = stainless steel; L = steel, painted

**Adaptor flange DIN/ANSI**

Position 100-107



Pos.	Part number	Description	Dimensions	Notes	Rep.	S <sup>(a)</sup>	E <sup>(a)</sup>	L <sup>(a)</sup>
------	-------------	-------------	------------	-------	------	------------------	------------------	------------------

**1.0038**

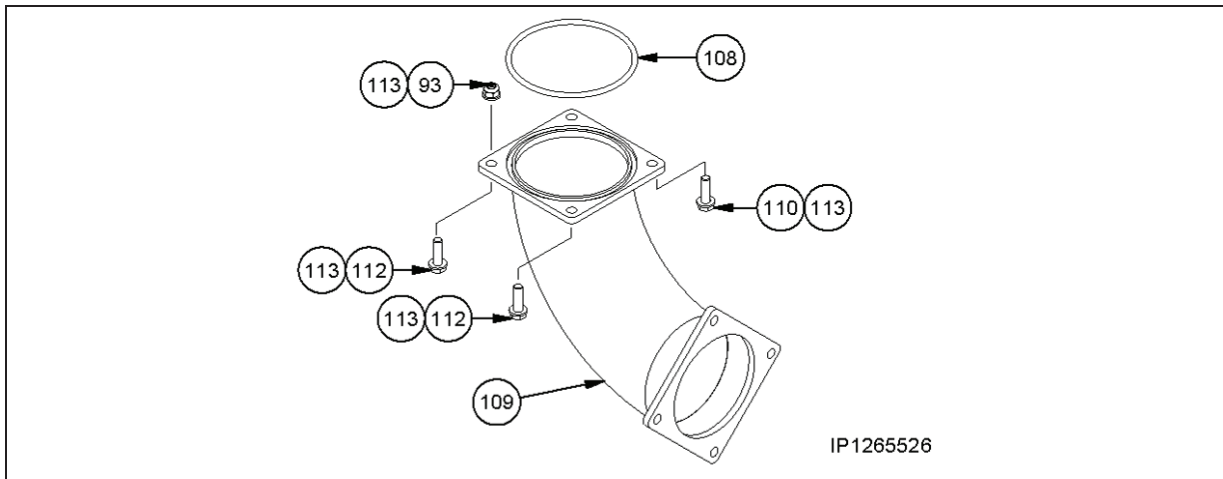
100	DOR.016	O-ring	160 x 7	NBR		1	-	1
101	GFL0165	Adaptor flange	DN 150 – ANSI 6 inch	1.0038 galvanised		1	-	-
	GFL0202	Adaptor flange	DN 150 – ANSI 6 inch	1.0038 painted		-	-	1
102	DFD.054	Flange gasket	DN 150			1	-	1
103	GFL.947	DIN blind flange	DN 150	1.0038 galvanised		1	-	1
	GFL0201	DIN blind flange	DN 150	1.0038 painted		1	-	1
104	NSK.042	Hexagon head bolt	M 12 x 25			4	-	4
105	NMS.007	Hexagon nut	M 20			8	-	8
106	NUS.008	Washer	A 21 x 37 x 3			16	-	16
107	NSK.103	Hexagon head bolt	M 20 x 70			8	-	8

**1.4571**

100	DOR.016	O-ring	160 x 7	NBR		-	1	-
101	GFL0166	Adaptor flange	DN 150 – ANSI 6 inch	1.4571		-	1	-
102	DFD.054	Flange gasket	DN 150			-	1	-
103	GFL.947.E	DIN blind flange	DN 150	1.4571		-	1	-
104	NSK.042.EE	Hexagon head bolt	M 12 x 25	Stainless steel		-	4	-
105	NMS.007.EE	Hexagon nut	M 20	Stainless steel		-	8	-
106	NUS.008.EE	Washer	A 21 x 37 x 3	Stainless steel		-	16	-
107	NSK.103.EE	Hexagon head bolt	M 20 x 70	Stainless steel		-	8	-

(a Design: S = steel, galvanised; E = stainless steel; L = steel, painted

**Pipe elbow BioCut**  
Positon 108-113

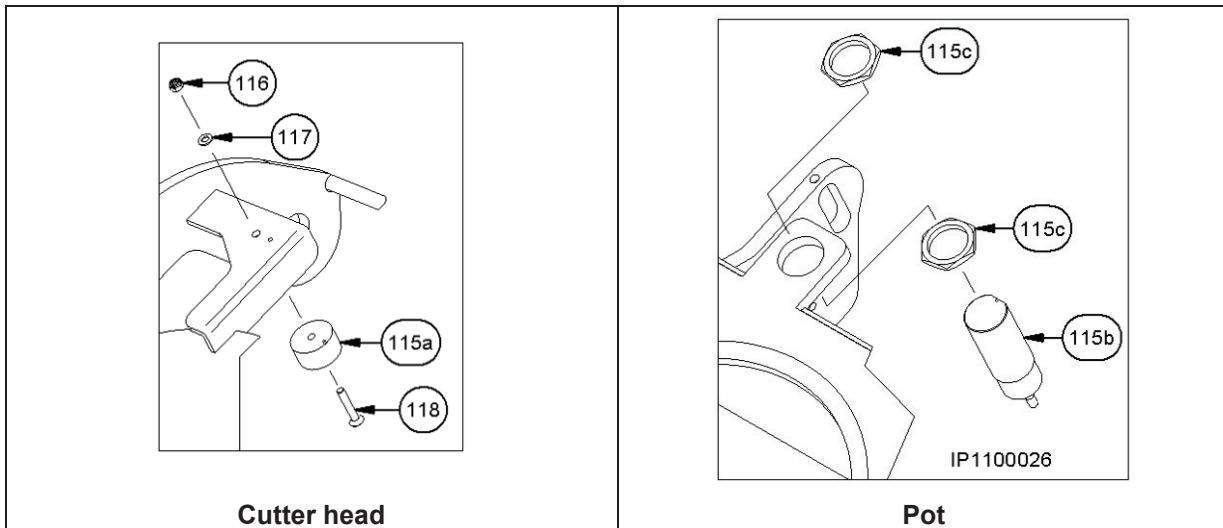


Pos.	Part number	Description	Dimensions	Notes	Rep.	S <sup>(a)</sup>	E <sup>(a)</sup>	L <sup>(a)</sup>
<b>1.0038</b>								
108	DOR.016	O-Ring	160 x 7	NBR		1	-	1
	DOR.016.SI	O-Ring	160 x 7	Silicone				
109	GAD.025.N1	Pipe elbow		1.0038 galvanised		1	-	-
	GAD0101	Pipe elbow		1.0038 painted		-	-	1
110	NSK.029	Hexagon head bolt	M 12 x 35			2	-	2
111	NSK.030	Hexagon head bolt	M 12 x 40			2	-	2
112	NMK.002	Hexagon nut	M 12	Self-locking		2	-	2
113	NUS.005	Washer	A 13 x 24 x 2.5			6	-	6
<b>1.4571</b>								
108	DOR.016	O-Ring	160 x 7	NBR		-	1	-
	DOR.016.SI	O-Ring	160 x 7	Silicone				
109	GAD.025.N1.E	Pipe elbow		1.4571		-	1	-
110	NSK.029.EE	Hexagon head bolt	M 12 x 35			-	2	-
111	NSK.030.E	Hexagon head bolt	M 12 x 40			-	2	-
112	NMK.002.EE	Hexagon nut	M 12	Self-locking		-	2	-
113	NUS.005.E	Washer	A 13 x 24 x 2,5			6	-	-

(a Design: S = steel, galvanised; E = stainless steel; L = steel, painted

**Safety switch**

**Detail D**



**Position 115-118**

Pos.	Part number	Description	Dimensions	Notes	Rep.	S <sup>(a)</sup>	E <sup>(a)</sup>	L <sup>(a)</sup>
115	SMD0013	Safety switch		Contains pos.115a-115c		1	1	1
115a	-	Magnetic element				(1)	(1)	(1)
115b	-	Sensor with evaluator				(1)	(1)	(1)
115c	-	Adjusting nut				(2)	(2)	(2)

**Steel**

116	NMK.034	Hexagon nut	M 5	DIN 934		1	-	1
117	NUS.120	Washer	5.3 x 10 x 1	DIN 125		1	-	1
118	NSE.020.E	Countersunk head bolt	M 5 x 30	ISO 10642		1	-	1

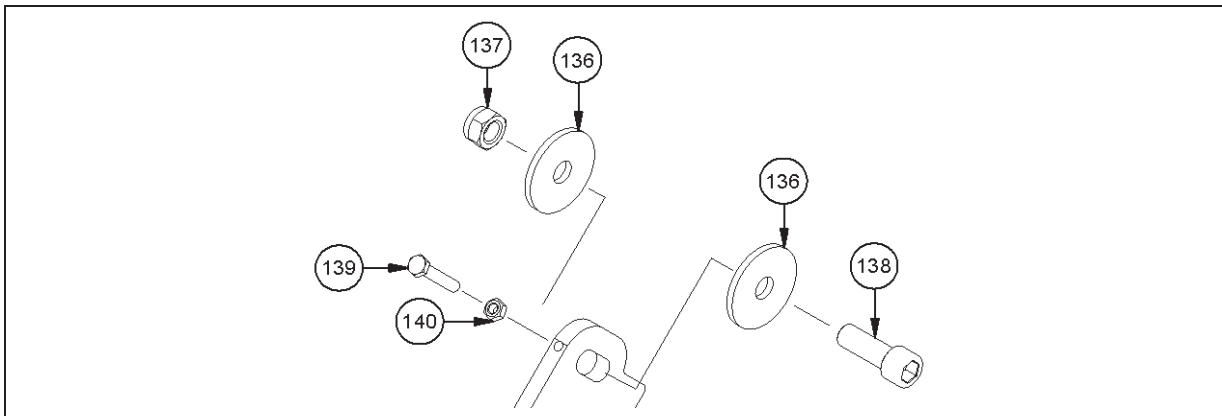
**Stainless steel**

116	NMK.034.EE	Hexagon nut	M 5	DIN 934		-	1	-
117	NUS.120.E	Washer	5.3 x 10 x 1	DIN 125		-	1	-
118	NSE.020.E	Countersunk head bolt	M 5 x 30	ISO 10642		-	1	-

(a Design: S = steel, galvanised; E = stainless steel; L = steel, painted

**Pivot**

**Detail G**



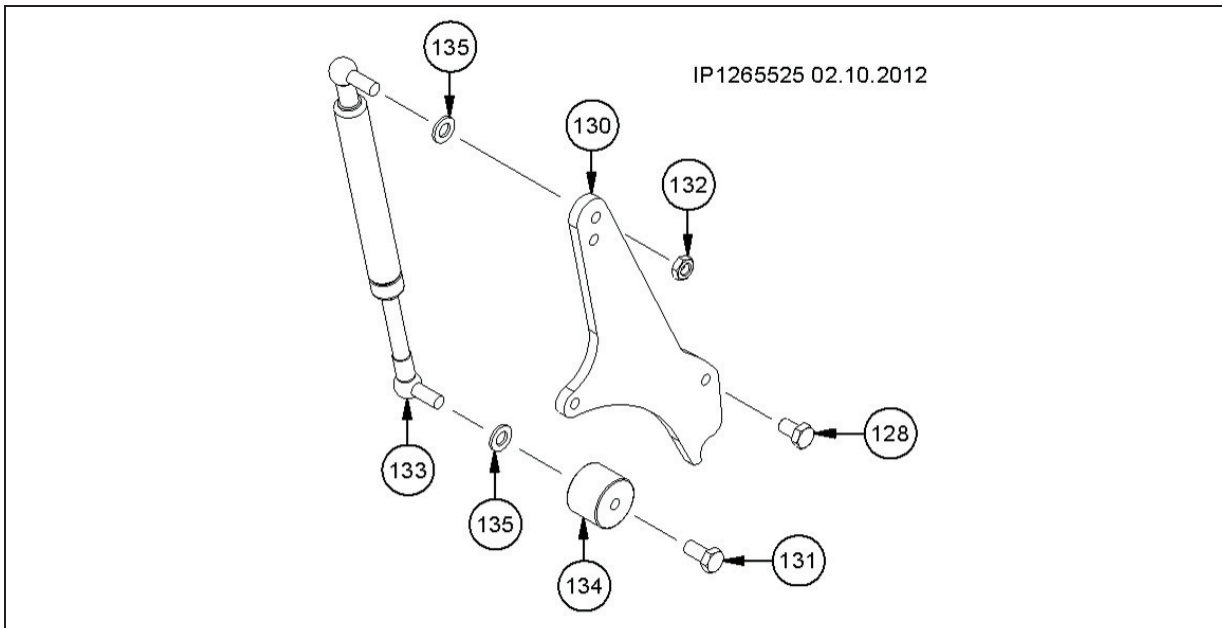
**Position 136-140**

Pos.	Part number	Description	Dimensions	Notes	Rep.	S <sup>(a)</sup>	E <sup>(a)</sup>	L <sup>(a)</sup>
136	NUS.090	Washer	F; 16 x 5 x 60 x 5	DIN 522		4	-	4
	NUS.090.E	Washer	F; 16 x 5 x 60 x 5	DIN 522		-	4	-
137	NMK.007	Hexagon nut	M 16	DIN 985		2	-	2
	NMK.007.EE	Hexagon nut	M 16	DIN 985		-	2	-
138	NSI.045	Cylinder head bolt	M 16 x 45	ISO 4762		2	-	2
	NSI.045.EE	Cylinder head bolt	M 16 x 45	ISO 4762		-	2	-
139	NSK.126	Hexagon head bolt	M 8 x 45	DIN 933		2	-	2
	NSK.203	Hexagon head bolt	M 8 x 45	DIN 933		-	2	-
140	NMS.002	Hexagon nut	M 8	DIN 934-8		2	-	2
	NMS.002.E	Hexagon nut	M 8	DIN 934-8		-	2	-

(a Design: S = steel, galvanised; E = stainless steel; L = steel, painted

**Gas spring**

**Detail E**



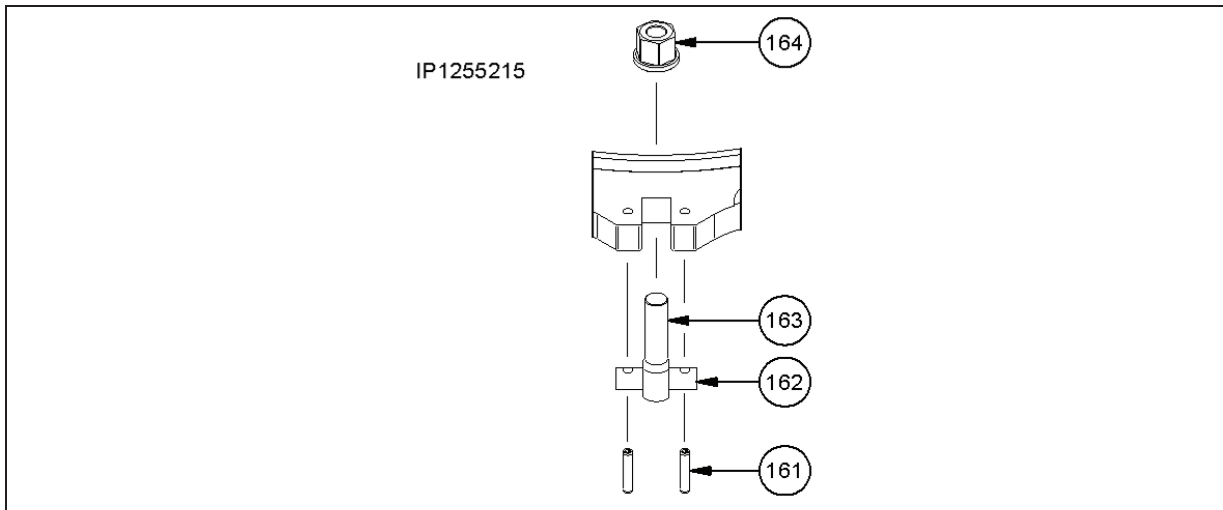
**Pos. 128-135**

Pos.	Part number	Description	Dimensions	Notes	Rep.	S <sup>(a)</sup>	E <sup>(a)</sup>	L <sup>(a)</sup>
<b>1.0038</b>								
128	NSK.042	Hexagon head bolt	M 12 x 25	DIN 933		1	-	1
130	RFL.439	Holder		1.0038 galvanised		1	-	-
	RFL2771	Holder		1.0038 painted		-	-	1
131	NSK.041	Hexagon head bolt	M 12 x 20	DIN 933		2	-	2
132	NMK.057	Hexagon nut	M 12	ISO 4035		1	-	1
133	NFE.030	Gas spring				1		
134	GRS.175	Coupling		Gas spring		1	-	1
135	NUS.005	Washer	A 13 x 24 x 2,5	DIN 125		2	-	2
<b>1.4571</b>								
128	NSK.042.EE	Hexagon head bolt	M 12 x 25	DIN 933		-	1	-
130	RFL.439.E	Holder		1.4571		-	1	-
131	NSK.041.E	Hexagon head bolt	M 12 x 20	DIN 933		-	2	-
132	NMK0009	Hexagon nut	M 12	ISO 4035		-	1	-
133	NFE.030	Gas spring				1		
134	GRS.175.E	Coupling		Gas spring		-	1	-
135	NUS.005.E	Washer	A 13 x 24 x 2,5	DIN 125		-	2	-

(a Design: S = steel, galvanised; E = stainless steel; L = steel, painted

## Clamping fastener

### Detail H



#### Position 160-164

Pos.	Part number	Description	Dimensions	Notes	Rep.	S <sup>(a)</sup>	E <sup>(a)</sup>	L <sup>(a)</sup>
161	NSP.031.E	Spring pin	6 mm x 30 mm	ISO 8752			8	
162	GRS0256	Take-up shaft	M 10			2	-	2
	GRS0484	Take-up shaft	M 10	1.4571		-	2	-
163	NSH0008	Eye bolt	M 10 x 55	DIN 444		2	-	2
	NSH0009	Eye bolt	M 10 x 55	DIN 444		-	2	-
164	NMK.056	Hexagon nut	M 10			2	-	2
	NMK.018.EE	Hexagon nut	M 10			-	2	-

## Accessories

### Pos. 180-182

Pos.	Part number	Description	Dimensions	Notes	Rep.	S <sup>(a)</sup>	E <sup>(a)</sup>	L <sup>(a)</sup>
180	NUS.003	Washer	A; 8.4 x 16 x 1.6	DIN 985		2	-	2
	NUS.003.EE	Washer	A; 8.4 x 16 x 1.6	DIN 985		-	2	-
181	NMK.004	Hexagon nut	M 8	DIN 985		2	-	2
	NMK.004.E	Hexagon nut	M 8	DIN 985		-	2	-
182	NSI.153	Cylinder head bolt	M 8 x 130	ISO 4762		2	-	2
	NSI.126.EE	Cylinder head bolt	M 8 x 120	ISO 4762		-	2	-

(a Design: S = steel, galvanised; E = stainless steel; L = steel, painted

**Safety sticker**

Pos.	Part number	Description	Dimensions	Notes	Rep.	S <sup>(a)</sup>	E <sup>(a)</sup>	L <sup>(a)</sup>
	VAU.013.EN	Sticker						1
	VAU.133	Sticker						1
	VAU.014	Sticker						1
	VAU.109	Sticker						1
	VAU.012	Sticker						1
	VAU.130	Sticker						1

**ACC:**

	VAU.140.EN	Sticker						1
--	------------	---------	--	--	--	--	--	---

**Cyclone separator**

	VAU.142.EN	Sticker						1
--	------------	---------	--	--	--	--	--	---








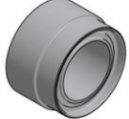


**INLINE + BioCut**

	VAU.144.EN	Sticker						1
--	------------	---------	--	--	--	--	--	---

(a Design: S = steel, galvanised; E = stainless steel; L = steel, painted



**Tools**

Pos.	Part number	Description	Dimensions	Notes	Rep.	S <sup>(a)</sup>	E <sup>(a)</sup>	L <sup>(a)</sup>
	WKZ.043	Tool kit:						
1	WKZ.046	Detaching tool for drive shaft						
2	WKZ.047	Fitting tool for drive shaft						
3	WKZ.048	Ring spanner wrench with PTO shaft profile 35/45						
	WKZ.097	Tensioning tool for gas spring NFE.030						
	WKZ.082	Tool for installation the cutting blades						
	WKZ0634	Puller		Radial shaft seal ring				
	WKZ0678	Assembly tool		Radial shaft seal ring				
	PBA.D006.N1.T1	Assembly tool		Mechanical seal				
<b>In the case of manual preload</b>								
	GMS.001	Open-end wrench		For preload locking nut				
<b>Blind flange for RotaCut pot (allows for continued flow of the medium while repairs are made to the cutter head)</b>								
	WKZ0485	-Inline -BioCut		1.0038 galvanised				

**Operating material**

Pos.	Part number	Description	Dimensions	Notes	Rep.	S <sup>(a)</sup>	E <sup>(a)</sup>	L <sup>(a)</sup>
	BSS.016	Hydraulic oil		Plantohyd 40N			x	

(a Design: S = steel, galvanised; E = stainless steel; L = steel, painted

3000 geared motor

**Required spare parts for mechanical seal change**

Pos.	Part number	Description	Dimensions	Notes	Rep.	S <sup>(a)</sup>	E <sup>(a)</sup>	L <sup>(a)</sup>
21	DWD.054	Radial shaft seal ring	50 x 65 x 7	NBR			1	
22	NSR.015	Retaining ring	1 65 x 2.5				2	
23	DGL.D003.N1	Mechanical seal	76.97-H3200	Duronit			2	
	DGL.D003.SC	Mechanical seal	76.97-H3200	SiSiC (silicon carbide)				
24	DOR.024.HNB	O-ring	58 x 73 x 7.5	HNBR			2	
	DOR.024.VI	O-ring	58 x 73 x 7.5	FPM				
28	NPF0016	Fitting key	AB 12 x 8 x 52				1	
30	IBA1373	Inner ring unit					1	
31	DOR0264	O-ring	Ø 37 mm x 3.5 mm	NBR			1	
32	DOR0263	O-ring	Ø 48 mm x 2. mm	NBR			1	

**With version B preload ( ACC) additionally:****NBR**

49	DOR.046	O-ring	96 x 3	NBR			1	
50	DOR.072	O-ring	45 x 3	NBR			1	
51	DOR.021	O-ring	24 x 3	NBR			1	
52	DOR.079	O-ring	18.4 x 2.7	NBR			1	

**FPM (Option)**

49	DOR.046.VI	O-ring	96 x 3	FPM			1	
50	DOR.072.VI	O-ring	45 x 3	FPM			1	
51	DOR.021.VI	O-ring	24 x 3	FPM			1	
52	DOR.079.VI	O-ring	18.4 x 2.7	FPM			1	

(a Design: S = steel, galvanised; E = stainless steel; L = steel, painted

**Necessary spare parts for blade change**

Pos.	Part number	Description	Dimensions	Notes	Rep.	S <sup>(a)</sup>	E <sup>(a)</sup>	L <sup>(a)</sup>
<b>Steel</b>								
8	GFL.427.N3.M9	Cutting screen	Max. ø 20 mm	Medium; t = 12 mm		1	-	1
	GFL0035	Cutting screen	Max. ø 28 mm	Coarse				
	GFL.546.M9	Cutting screen	Max. ø 4 mm	Honey comb				
	GFL.570.M9	Cutting screen	Max. ø 8 mm	Honey comb				
	GFL.480.M9	Cutting screen	Max. ø 12 mm	Honey comb				
	GFL.449.M9	Cutting screen	Max. ø 15 mm	Honey comb				

**Stainless steel**

8	GFL.427.N3.E3	Cutting screen	Max. ø 20 mm	Standard		(1)	1	(1)
	GFL.495.N1.E3	Cutting screen	Max. ø 28 mm	Coarse				
	GFL.546.E3	Cutting screen	Max. ø 4 mm	Honey comb				
	GFL.570.E3	Cutting screen	Max. ø 8 mm	Honey comb				
	GFL.480.E3	Cutting screen	Max. ø 12 mm	Honey comb				
	GFL.449.E3	Cutting screen	Max. ø 15 mm	Honey comb				

Max. ø = max. free passage

The cutting screen **pos. 8** can be turned **once** so it doesn't have to be replaced until the next cutting blade change!

9	GRS.203.EE	Clamp bolt				3	3	3
	GRS.202	Spring pin				3	-	3
	GRS.202.EE	Spring pin				-	3	-
11	GSM.006	Cutting blade	8 mm	+ NSP.006		4 / 3*		
	GSM.006.E4	Cutting blade	8 mm	Stainless steel				
	GSM.006.T1.E4	Cutting blade	8 mm	Stainless steel high version; only for ACC!				
	GSM.006.T2.E4	Cutting blade	5 mm	Stainless steel				
12	NSP.006	Spring pin	10 x 30	→ GSM.006		4 / 3* / 6**		
12	NSP.030.E	Spring pin	10 x 30	→ GSM.006.E4		4 / 3* / 6**		
	NSP.031.E	Spring pin	6 x 30	→ GSM.006.T1.E4 → GSM.006.T2.E4		4 / 3* / 6**		
13	ZDFD.390.0110	Polyethylene cord				4 / 3* / 6**		

**With version B preload (ACC) additionally:**

**NBR**

49	DOR.046	O-ring	96 x 3	NBR			1	
50	DOR.072	O-ring	45 x 3	NBR			1	
51	DOR.021	O-ring	24 x 3	NBR			1	
52	DOR.079	O-ring	18.4 x 2.7	NBR			1	

**FPM (Option)**

49	DOR.046.VI	O-ring	96 x 3	FPM			1	
50	DOR.072.VI	O-ring	45 x 3	FPM			1	
51	DOR.021.VI	O-ring	24 x 3	FPM			1	
52	DOR.079.VI	O-ring	18.4 x 2.7	FPM			1	

\* Quantities or parts in case of rotor with 3 wings

\*\* Quantities or parts in case of rotor with 6 wings

(a Design: S = steel, galvanised; E = stainless steel; L = steel, painted

**Required spare parts for wear part replacement**

Pos.	Part number	Description	Dimensions	Notes	Rep.	S <sup>(a)</sup>	E <sup>(a)</sup>	L <sup>(a)</sup>
2	DOR0021	O-ring	311 x 18	NBR		1	1	1
	DOR.073.SI	O-ring	320 x 18	MVQ				
3	GSW.016	Flywheel		Includes pos. 4 + 5		1	1	1
4	PRS.113	Seal support				1	1	1
5	NSI.134.E	Pan head bolt	M 8 x 20	ISO 7380		3	3	3
<b>Steel</b>								
6	GAS.019	Internal gap seal		1.0038		1	-	1
	NSI.006	Cylinder head bold	M 10 x 30	Contained in GAS.019		1	-	1
<b>Stainless steel</b>								
6	GAS.019.E	Internal gap seal		1.4571		-	1	-
	NSI.034	Cylinder head bold	M 10 x 30	Contained in GAS.019.E		-	1	-
<b>Steel</b>								
8	GFL.427.N3.M9	Cutting screen	Max. ø 20 mm	Medium; t = 12 mm		1	-	1
	GFL0035	Cutting screen	Max. ø 28 mm	Coarse				
	GFL.546.M9	Cutting screen	Max. ø 4 mm	Honey comb				
	GFL.570.M9	Cutting screen	Max. ø 8 mm	Honey comb				
	GFL.480.M9	Cutting screen	Max. ø 12 mm	Honey comb				
	GFL.449.M9	Cutting screen	Max. ø 15 mm	Honey comb				
<b>Stainless steel</b>								
8	GFL.427.N3.E3	Cutting screen	Max. ø 20 mm	Standard		(1)	1	(1)
	GFL.495.N1.E3	Cutting screen	Max. ø 28 mm	Coarse				
	GFL.546.E3	Cutting screen	Max. ø 4 mm	Honey comb				
	GFL.570.E3	Cutting screen	Max. ø 8 mm	Honey comb				
	GFL.480.E3	Cutting screen	Max. ø 12 mm	Honey comb				
	GFL.449.E3	Cutting screen	Max. ø 15 mm	Honey comb				
		Max. ø = max. free passage						
The cutting screen <b>pos. 8</b> can be turned <b>once</b> so it doesn't have to be replaced until the next cutting blade change!								
9	GRS.203.EE	Clamp bolt				3	3	3
	GRS.202	Spring pin				3	-	3
	GRS.202.EE	Spring pin				-	3	-
10	GFM.019.N2	Blade rotor		4 wings; groove 8 mm		1	1	1
	GFM.004.N2	Blade rotor		3 wings; groove 8 mm				
	GFM.008.N2.T2	Blade rotor		6 wings; groove 5 mm				
11	GSM.006	Cutting blade	8 mm	+ NSP.006			4 / 3*	
	GSM.006.E4	Cutting blade	8 mm	Stainless steel				
	GSM.006.T1.E4	Cutting blade	8 mm	Stainless steel high version; only for ACC!				
	GSM.006.T2.E4	Cutting blade	5 mm	Stainless steel				
12	NSP.006	Spring pin	10 x 30	→ GSM.006			4 / 3* / 6**	
12	NSP.030.E	Spring pin	10 x 30	→ GSM.006.E4 → GSM.006.T1.E4			4 / 3* / 6**	
	NSP.031.E	Spring pin	6 x 30	→ GSM.006.T2.E4			4 / 3* / 6**	
13	ZDFD.390.0110	Polyethylene cord					4 / 3* / 6**	

\* Quantities or parts in case of rotor with 3 wings

\*\* Quantities or parts in case of rotor with 6 wings

Continuation see next page

(a Design: S = steel, galvanised; E = stainless steel; L = steel, painted

3000 geared motor

Pos.	Part number	Description	Dimensions	Notes	Rep.	S <sup>(a)</sup>	E <sup>(a)</sup>	L <sup>(a)</sup>
15	GRS0043	Adaptor		1.0038 galvanised		1	-	1
	GRS0044	Adaptor		1.4571		-	1	-
21	DWD.054	Radial shaft seal ring	50 x 65 x 7	NBR			1	
22	NSR.015	Retaining ring	1 65 x 2.5				2	
23	DGL.D003.N1	Mechanical seal	76.97-H3200	Duronit			2	
	DGL.D003.SC	Mechanical seal	76.97-H3200	SiSiC (silicon carbide)				
24	DOR.024.HNB	O-ring	58 x 73 x 7.5	HNBR			2	
	DOR.024.VI	O-ring	58 x 73 x 7.5	FPM				
28	NPF0016	Fitting key	AB 12 x 8 x 52				1	
30	IBA1373	Inner ring unit					1	
31	DOR0264	O-ring	Ø 37 mm x 3.5 mm	NBR			1	
32	DOR0263	O-ring	Ø 48 mm x 2. mm	NBR			1	

**With version B preload ( ACC) additionally:****NBR**

49	DOR.046	O-ring	96 x 3	NBR			1	
50	DOR.072	O-ring	45 x 3	NBR			1	
51	DOR.021	O-ring	24 x 3	NBR			1	
52	DOR.079	O-ring	18.4 x 2.7	NBR			1	

**FPM (Option)**

49	DOR.046.VI	O-ring	96 x 3	FPM			1	
50	DOR.072.VI	O-ring	45 x 3	FPM			1	
51	DOR.021.VI	O-ring	24 x 3	FPM			1	
52	DOR.079.VI	O-ring	18.4 x 2.7	FPM			1	

(a Design: S = steel, galvanised; E = stainless steel; L = steel, painted

**VOGELSANG**



**Hugo Vogelsang Maschinenbau GmbH**

Holthöge 10-14  
49632 Essen/Oldb.

Phone: +49 (0) 54 34 83 0  
Fax: +49 (0) 54 34 83 10

vogelsang-gmbh.com  
info@vogelsang-gmbh.com

**ENGINEERED TO WORK**

**Australien**  
**Vogelsang Pty. Ltd.**  
vogelsang.com.au

**Indien**  
**Vogelsang India Private Limited**  
vogelsangindia.com

**Russland**  
**Vogelsang Russland**  
vogelsang.ru

**Brasilien**  
**Vogelsang Brasil Ltda.**  
vogelsang.com.br

**Irland**  
**Vogelsang Ireland**  
vogelsang.ie

**Schweden**  
**Vogelsang Sverige AB**  
vogelsang.se

**China**  
**Vogelsang Mechanical Engineering (Shanghai) Co., Ltd.**  
vogelsang.com.cn

**Italien**  
**Vogelsang Italy Srl**  
vogelsang-srl.it

**Spanien**  
**Vogelsang S.L.**  
vogelsang.es

**Dänemark**  
**Vogelsang A/S**  
vogelsang-as.dk

**Malaysia**  
**Vogelsang Malaysia**  
vogelsang.info

**Südkorea**  
**Vogelsang Korea Co., Ltd.**  
vogelsang.co.kr

**Deutschland - Niederlassung Ost**  
**Vogelsang Lutherstadt Eisleben**  
vogelsang-gmbh.com

**Mexico**  
**Vogelsang De México S.de R.L. de CV**  
vogelsang.mx

**Tschechische Republik**  
**Vogelsang CZ s.r.o.**  
vogelsang-czech.cz

**Finnland**  
**Vogelsang Oy**  
vogelsang.fi

**Polen**  
**Vogelsang Poland Sp. z o.o.**  
vogelsang.pl

**USA**  
**Vogelsang USA Ltd.**  
vogelsangusa.com

**Frankreich**  
**Vogelsang France S.A.R.L.**  
vogelsang.fr

**Österreich**  
**Vogelsang Austria GmbH**  
vogelsang-austria.at

**Großbritannien**  
**Vogelsang Ltd.**  
vogelsang.co.uk

**Rumänien**  
**Vogelsang Romania SRL**  
vogelsang.ro