

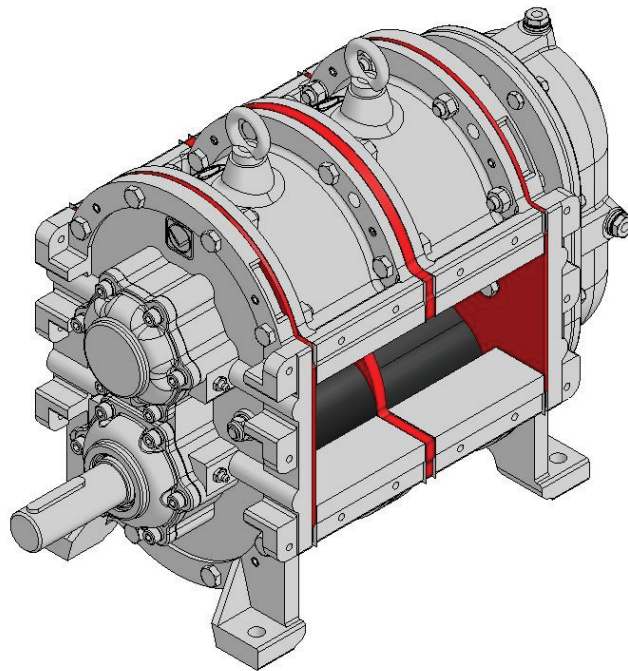


# Spare Parts List

## Rotary Lobe Pump

R116

ENGINEERED TO WORK



### **Issuer**

Hugo Vogelsang Maschinenbau GmbH  
Holthöge 10-14  
49632 Essen/Oldb.

Phone: +49 54 34 83 0  
Fax: +49 54 34 83 10

vogelsang-gmbh.com  
info@vogelsang-gmbh.com

In the absence of express, written authorisation from the issuer, the reproduction or partial reproduction of this document in any form is prohibited.

We reserve the right to make technical modifications to the diagrams and information presented in this document in the event that such modifications become necessary for the enhancement of the machine.

© 2016 Hugo Vogelsang Maschinenbau GmbH

### **Registered trademarks of Vogelsang**

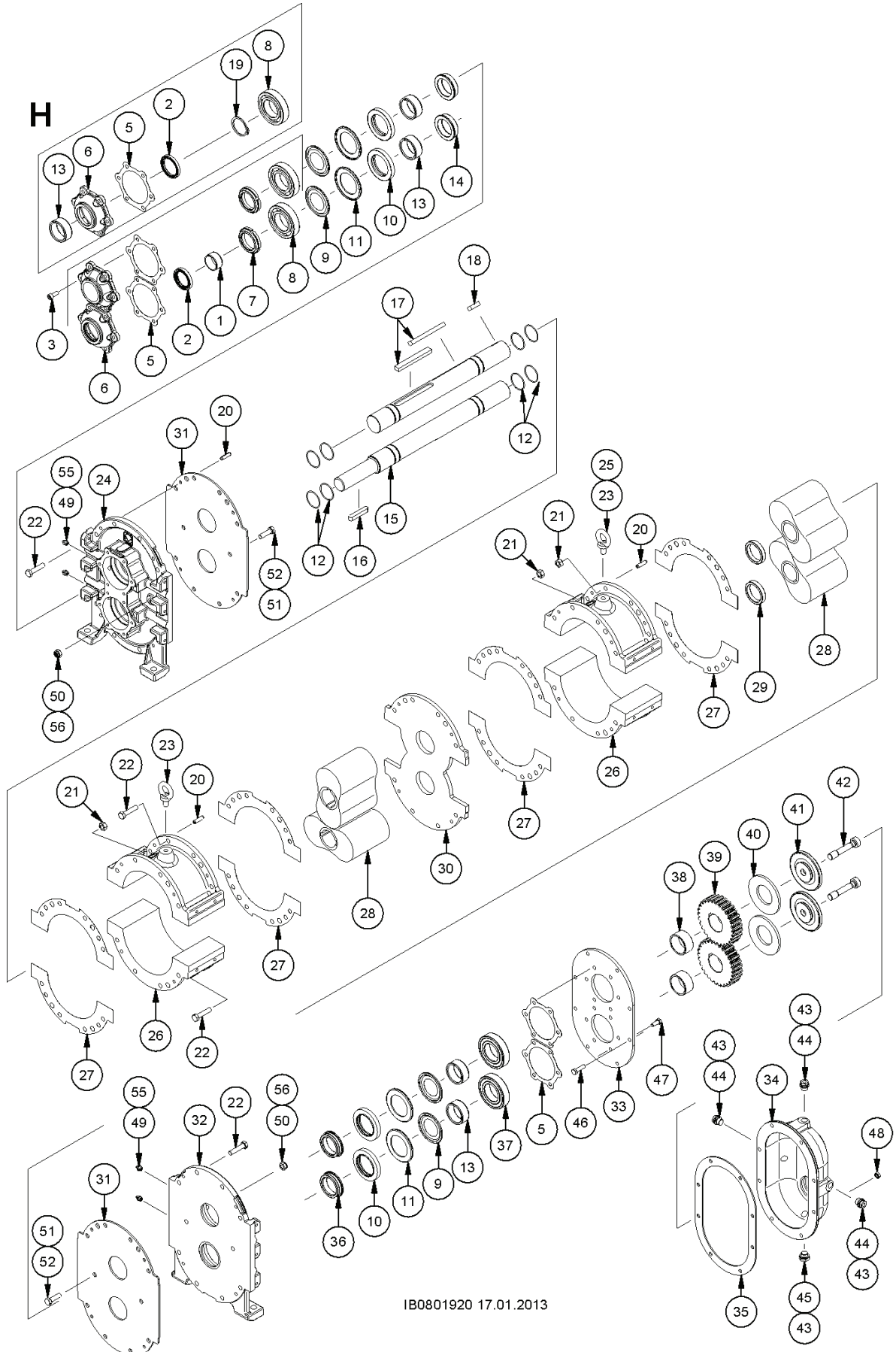
Vogelsang, RotaCut, PreMix, HiFlo, ACC, CFC, BioCrack, XTill, EnergyJet and BioCut are registered trademarks of Hugo Vogelsang Maschinenbau GmbH.

The registered trademarks are not always designated with an ® symbol in this document.

## Contents

Exploded view .....	4
<b>Cover and accessories .....</b>	<b>5</b>
Position 1-6 .....	5
<b>Radial shaft seal ring + accessories .....</b>	<b>5</b>
Position 7-14 .....	5
<b>Motor shaft .....</b>	<b>6</b>
Position 15 .....	6
<b>PTO shaft .....</b>	<b>6</b>
Position 15 .....	6
<b>Fitting key .....</b>	<b>6</b>
Position 16-18 .....	6
<b>Bearing housing + accessories .....</b>	<b>6</b>
Position 20-25 .....	6
<b>Pump housing segment .....</b>	<b>7</b>
Pos. 26 .....	7
<b>Gasket for pump housing segment .....</b>	<b>7</b>
Position 27 .....	7
<b>Rotary lobes .....</b>	<b>7</b>
Position 28 .....	7
<b>Separation plate + accessories .....</b>	<b>8</b>
Position 29-30 .....	8
<b>Bearing housing/ gear box housing/ wear plate .....</b>	<b>8</b>
Position 31-35 .....	8
<b>Gear, bearing and accessories .....</b>	<b>8</b>
Position 36-40 .....	8
<b>Preload .....</b>	<b>8</b>
Position 40-42 .....	8
<b>Bolts and accessories .....</b>	<b>8</b>
Position 43-56 .....	8
<b>Option – withdrawing separation plate .....</b>	<b>9</b>
Position 70-73 .....	9
<b>Option: 3-chamber design .....</b>	<b>10</b>
<b>Material for connectors .....</b>	<b>12</b>
<b>Operating material .....</b>	<b>12</b>
<b>Tools .....</b>	<b>12</b>
<b>Required spare parts for rotary lobe change .....</b>	<b>13</b>
<b>Required spare parts for mechanical seal change .....</b>	<b>14</b>
<b>Required spare parts for wear part replacement .....</b>	<b>15</b>
<b>Option – withdrawing separation plate .....</b>	<b>16</b>

Exploded view



IB0801920 17.01.2013

H = Version with hollow shaft

**Cover and accessories**

**Position 1-6**

Pos.	Part number	Description	Dimensions	Note	Rep.	60	120	180	240	250	300	360
1	NIR.011	Inner ring	LR 35 x 40 x 20	For PTO shaft					2			
				For motor shaft long				1				
				For hollow shaft				-				
2	DWD.016	Radial shaft seal ring	AS 40 x 55 x 8	For PTO shaft					2			
				For motor shaft long				1				
	DWD.073	Radial shaft seal ring	AS 45 x 58 x 7	For hollow shaft					1			
3	NSI.003	Cylinder head bolt	M 8 x 20	For PTO shaft					12			
				For motor shaft long								
	NSI.005	Cylinder head bolt	M 8 x 30	For hollow shaft								
4	NSR.002	Retaining ring	AS 45 x 2,5	For PTO shaft					-			
				For motor shaft long								
				Bei Hohlwelle				1				
5	DAD.009	Gasket		For PTO shaft					4			
				For motor shaft long								
				For hollow shaft				6				
6	PGP.030	Cover open		For PTO shaft					2			
				For motor shaft long				1				
	PGP.031	Cover closed		For motor shaft short					1			
				For hollow shaft								
PGP.030.T1	Cover open		For hollow shaft					1				

**Radial shaft seal ring + accessories**

**Position 7-14**

Pos.	Part number	Description	Dimensions	Note	Rep.	60	120	180	240	250	300	360
7	NMN.002	Slotted nut	M 45 x 1,5	PTO shaft					2			
				Motor shaft long								
				Hollow shaft				1				
8	NLG.006	Ball bearing	6209						2			
9	DWD.021	Plug disk	6209 AV						4			
10	DWD.007	Radial shaft seal ring	AB 55 x 80 x 10						4			
11	PRS.019	Support ring	56 x 85 x 6						4			
12	DOR.008	O-ring	40 x 2	NBR					8			
13	NIR.010	Inner ring	JR 45 x 55 x 22	For PTO shaft					4			
				For motor shaft								
				For hollow shaft				5				
14	PRS.021	Extracting ring							2			

**Motor shaft**  
Position 15

Pos.	Part number	Description	Dimensions	Note	Rep.	60	120	180	240	250	300	360	
15	PWN.015.N1	Motor shaft	R 60 MK	Short		1							
	PWN.014.N1	Motor shaft	R 60 ML	Long		1							
	PWN.015.N1.H	Hollow shaft	R 60 MH										
	PWN.005.N1	Motor shaft	R 120 MK	Short			1						
	PWN.004.N1	Motor shaft	R 120 ML	Long				1					
	PWN.005.N1.H	Hollow shaft	R 120 MH										
	PWN.023.N1	Motor shaft	R 180 MK	Short				1					
	PWN.007.N1	Motor shaft	R 180 ML	Long					1				
	PWN.023.N1.H	Hollow shaft	R 180 MH										
	PWN.011.N1	Motor shaft	R 240 MK	Short						1	1		
	PWN.010.N1	Motor shaft	R 240 ML	Long							1		
	PWN.011.N1.H	Hollow shaft	R 240 MH										
	PWN.041.N1	Motor shaft	R 300 MK	Short								1	
	PWN.040.N1	Motor shaft	R 300 ML	Long								1	
	PWN.041.N1.H	Hollow shaft	R 300 MH										
	PWN.046.N1	Motor shaft	R 360 MK	Short									1
	PWN.045.N1	Motor shaft	R 360 ML	Long									1
PWN.046.N1.H	Hollow shaft	R 360 MH											

**PTO shaft**  
Position 15

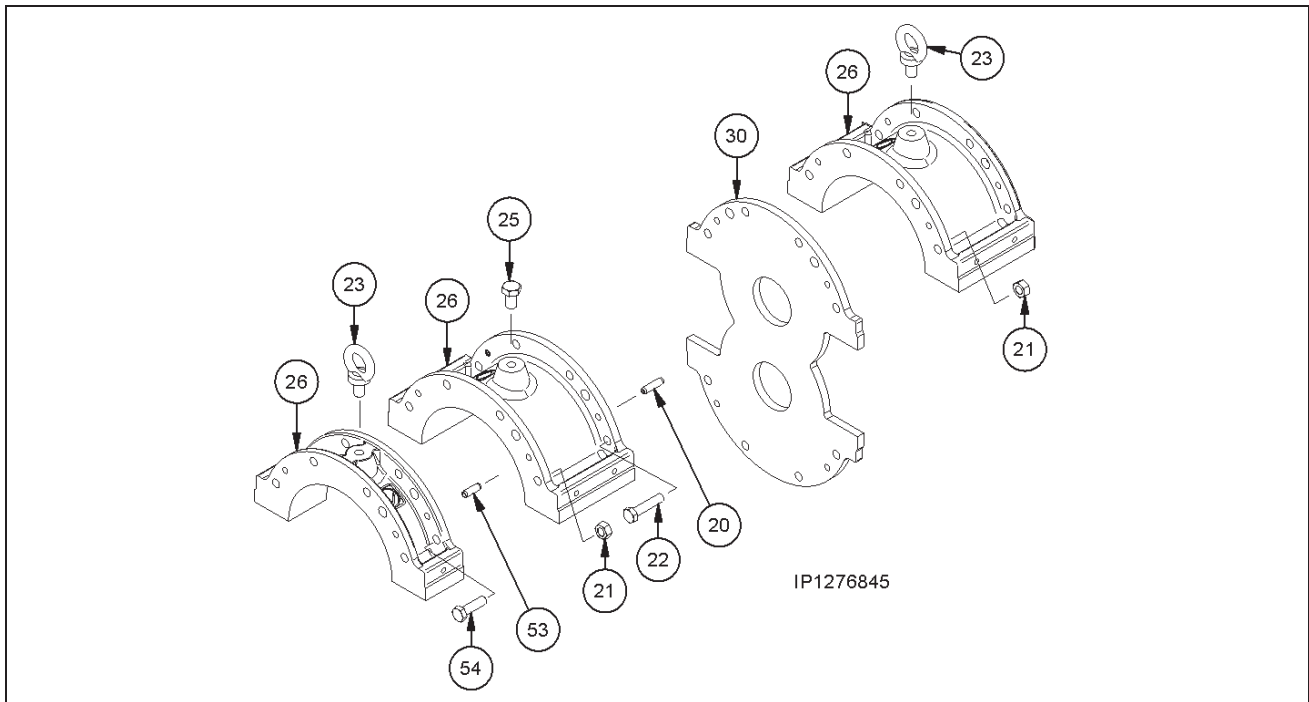
Pos.	Part number	Description	Dimensions	Note	Rep.	60	120	180	240	250	300	360
15	PWN.001.N1	PTO shaft	R 60 S			2	-	-	-	-	-	-
	PWN.003.N1	PTO shaft	R 120 S			-	2	-	-	-	-	-
	PWN.021.N1	PTO shaft	R 180 SA	Below		-	-	1	-	-	-	-
	PWN.022.N1	PTO shaft	R 180 SB	Above		-	-	1	-	-	-	-
	PWN.025.N1	PTO shaft	R 240 SA	Below		-	-	-	1	1	-	-
	PWN.026.N1	PTO shaft	R 240 SB	Above		-	-	-	1	1	-	-
	PWN.038.N1	PTO shaft	R 300 SA	Below		-	-	-	-	-	1	-
	PWN.039.N1	PTO shaft	R 300 SB	Above		-	-	-	-	-	1	-
	PWN.043.N1	PTO shaft	R 360 SA	Below		-	-	-	-	-	-	1
	PWN.044.N1	PTO shaft	R 360 SB	Above		-	-	-	-	-	-	1

**Fitting key**  
Position 16-18

Pos.	Part number	Description	Dimensions	Note	Rep.	60	120	180	240	250	300	360
16	NPF.005	Fitting key	A 10 x 10 x 60	Motor shaft long		1	1	1	1	1	1	1
17	NPF.012	Fitting key	B 14 x 9 x 110			-	2	2	4	4	4	4
	NPF.011	Fitting key	B 14 x 9 x 56			-	-	-	-	-	2	4
	NPF.014	Fitting key	B 14 x 9 x 45			2	-	2	-	-	-	-
18	NPF.010	Fitting key	B 14 x 9 x 28			2	2	2	2	2	2	2

**Bearing housing + accessories**  
Position 20-25

Pos.	Part number	Description	Dimensions	Note	Rep.	60	120	180	240	250	300	360
20	NSP.001	Spring pin	8 x 30			8	8	12	12	12	16	20
21	NMS.003	Hexagon nut	M 10			16	16	24	24	24	32	40
22	NSK.004	Hexagon head bolt	M 10 x 45			16	16	24	24	24	24	24
23	NKS.006	Lifting eye bolt	M 12			1	1	2	2	2	2	2
24	PGP.003	Bearing housing				1	1	1	1	1	1	1
25	NSK.041	Hexagon head bolt	M 12 x 20	DIN 933		1	1	2	2	2	4	6



**Pump housing segment**

Pos. 26

Pos.	Part number	Description	Dimensions	Note	Rep.	60	120	180	240	250	300	360
26	PGP.027	Pump housing segment	60			2	-	2	-	-	2	4
	PGP.028	Pump housing segment	120			-	2	2	4	-	4	4
	PGP0412	Pump housing segment	250			-	-	-	-	2	-	-

**Gasket for pump housing segment**

Position 27

Pos.	Part number	Description	Dimensions	Note	Rep.	60	120	180	240	250	300	360
27	DAD.010	Gasket		Pump housing segment		4	4	8	8	4	10	12

**Rotary lobes**

Position 28

Pos.	Part number	Description	Dimensions	Note	Rep.	60	120	180	240	250	300	360
28	PKA.003	Rotary lobe	116-60 2K	SBR		2	-	2	-	-	2	4
	PKA.012	Rotary lobe	116-120 2K	SBR		-	2	2	4	-	4	4
	PKA.005	Rotary lobe	116-60 2K	NBR		2	-	2	-	-	2	4
	PKA.014	Rotary lobe	116-120 2K	NBR		-	2	2	4	-	4	4
	PKA.039	Rotary lobe	116-60 2K	EPDM-SL		2	-	2	-	-	2	4
	PKA.038	Rotary lobe	116-120 2K	EPDM-SL		-	2	2	4	-	4	4
	PKA.009	Rotary lobe	116-60 2K	FPM		2	-	2	-	-	2	4
	PKA.017	Rotary lobe	116-120 2K	FPM		-	2	2	4	-	4	4
	PKA.008	Rotary lobe	116-60 2K	Werobust		2	-	2	-	-	2	4
	PKA.018	Rotary lobe	116-120 2K	Werobust		-	2	2	4	-	4	4
	PKA0198	Rotary lobe	116-120 2K	CSM		-	2	2	4	-	4	4
28	PKD0261	Rotary lobe	116-250 3F60L HiFlo	NBR		-	-	-	-	1	-	-
	PKD0262	Rotary lobe	116-250 3F60R HiFlo	NBR		-	-	-	-	1	-	-
	PKD0263	Rotary lobe	116-250 3F60L HiFlo	EPDM-SL		-	-	-	-	1	-	-
	PKD0264	Rotary lobe	116-250 3F60R HiFlo	EPDM-SL		-	-	-	-	1	-	-
	PKD0267	Rotary lobe	116-250 3F60L HiFlo	FPM		-	-	-	-	1	-	-
	PKD0268	Rotary lobe	116-250 3F60R HiFlo	FPM		-	-	-	-	1	-	-
	PKD0265	Rotary lobe	116-250 3F60L HiFlo	CSM		-	-	-	-	1	-	-
	PKD0266	Rotary lobe	116-250 3F60R HiFlo	CSM		-	-	-	-	1	-	-

**Separation plate + accessories**

**Position 29-30**

Pos.	Part number	Description	Dimensions	Note	Rep.	60	120	180	240	250	300	360
29	PRS.007	Sleeve		For separation plate		-	-	2	2	-	2	2
30	PFL.015	Separation plate		Open								
	PFL.045	Separation plate		One side closed		-	-	1	1	-	1	1
	PFL.049	Separation plate		Closed								

**Bearing housing/ gear box housing/ wear plate**

**Position 31-35**

Pos.	Part number	Description	Dimensions	Note	Rep.	60	120	180	240	250	300	360
31	PSP.001	Wear plate							2			
	PSP.001.E	Wear plate		Stainless steel								
32	PGP.002	Bearing housing							1			
33	PFL.034	Plate							1			
34	PGP.056	Gear box housing							1			
35	DAD.011	Gasket		Cork					1			

**Gear, bearing and accessories**

**Position 36-40**

Pos.	Part number	Description	Dimensions	Note	Rep.	60	120	180	240	250	300	360
36	PRS.022	Extracting ring		Grooved					2			
37	NLG.033	Ball bearing	6209.2RSR	Sealed					2			
38	PRS.009	Distance sleeve							2			
39	PZN.001	Gear							2			

**Preload**

**Position 40-42**

Pos.	Part number	Description	Dimensions	Note	Rep.	60	120	180	240	250	300	360
40	NTF.003	Spring washer	100 x 51 x 6						2			
41	PRS.103	Pressure disk							2			
42	PRS.102	Strain bolt	M 16 x 80	DIN 6912					2			

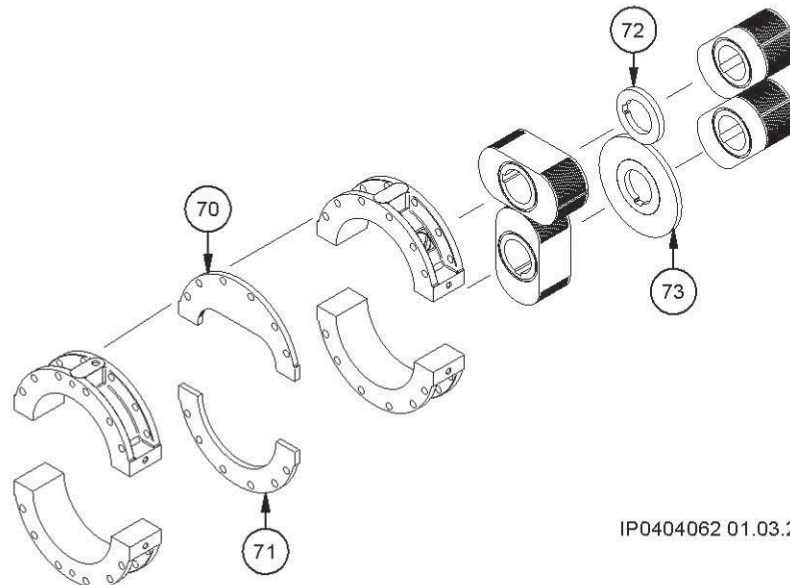
**Bolts and accessories**

**Position 43-56**

Pos.	Part number	Description	Dimensions	Note	Rep.	60	120	180	240	250	300	360
43	DKR.005	Copper ring	C 16 x 22 x 2	DIN 7603					4			
44	NSK.081	Screw plug	M 16 x 1,5	DIN 910					3			
45	NSK.088	Screw plug	M 16	Magnetic					1			
46	NSK.020	Hexagon head bolt	M 8 x 30	DIN 933					8			
47	NSK.075	Hexagon head bolt	M 8 x 20	DIN 933					12			
48	NMS.002	Hexagon nut	M 8	DIN 934-8					8			
49	NKS.001	Grease nipple	M 10 x 1	DIN 71412-A					4			
50	NMK.001	Hexagon nut	M 10	DIN 985					4			
51	DKR.001	Copper ring	C10 x 16 x 1						4			
52	NSK.002.EE	Hexagon head bolt	M 10 x 35	DIN 933					4			
53	NSP.025	Spring pin	8 x 24			-	-	-	-	-	4	8
54	NSK.002	Hexagon head bolt	M 10 x 35			-	-	-	-	-	8	16
55	BKA.001	Grease nipple cap							4			
56	NUS.004	Washer	A, 10,5 x 20 x 2	DIN 125					4			



**Option – withdrawing separation plate**



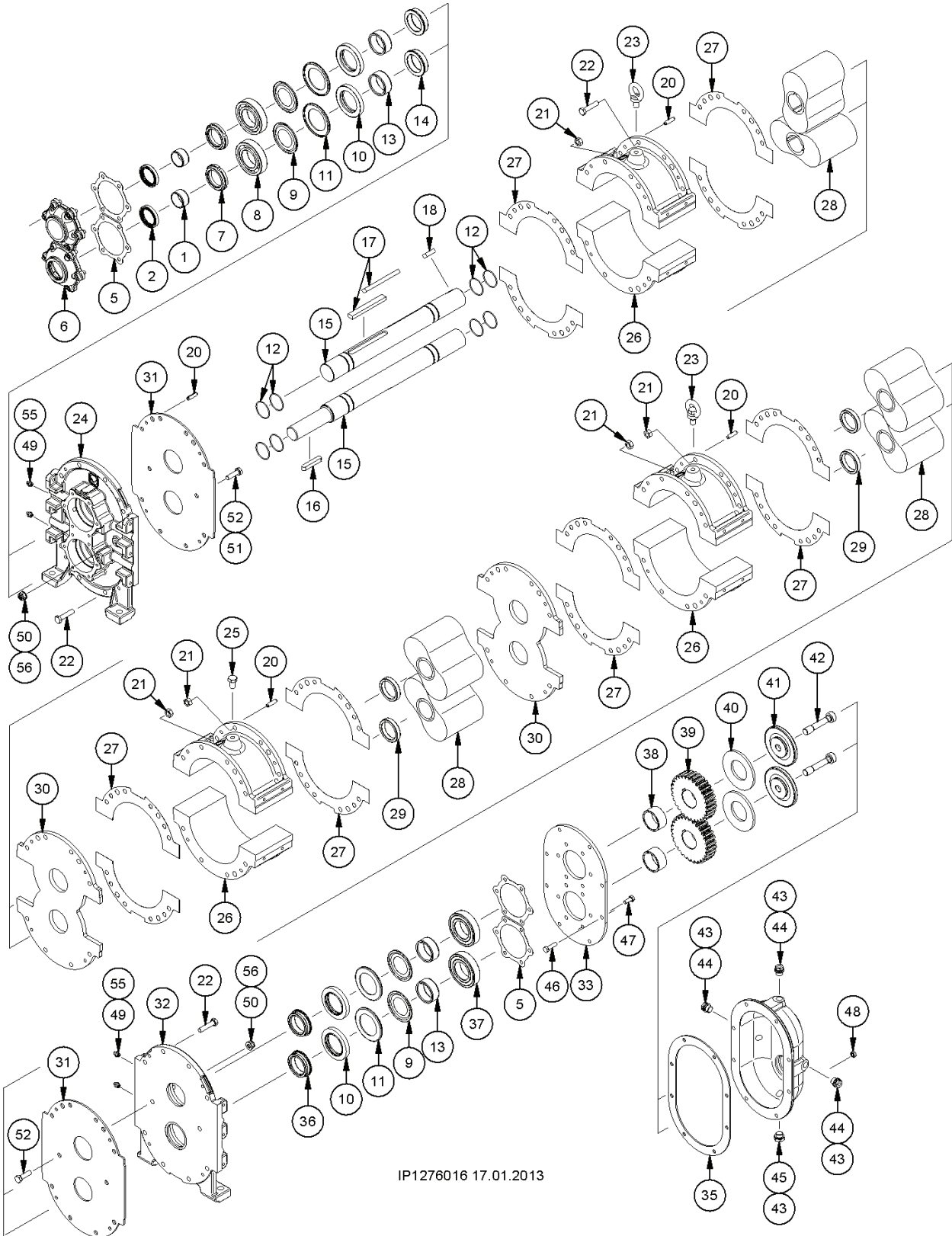
IP0404062 01.03.2011

**Position 70-73**

Pos.	Part number	Description	Dimensions	Note	Rep.	60	120	180	240	250	300	360
70	PFL.614	Separation plate		Outside; top		-	-	1	1	-	1	1
71	PFL.615	Separation plate		Outside; bottom		-	-	1	1	-	1	1
72	PFL.619	Separation plate		Inside; top		-	-	1	1	-	1	1
73	PFL0098	Separation plate		Inside; bottom		-	-	1	1	-	1	1

Pos. 29 + 30 are not required for the option

Option: 3-chamber design



IP1276016 17.01.2013

**Deviating spare parts for three-chamber design:**

Pos.	Part number	Description	Dimensions	Note	Rep.	60	120	180	240	250	300	360
15	PWS.006	Motor shaft	360 MK	Short						-		1
	PWS.007	Motor shaft	360 ML	Long						-		1
15	PWS.005.TA.N1	PTO shaft	360	Below						-		1
	PWS.005.TB.N1	PTO shaft	360	Above						-		1
17	NPF.012	Fitting key	B 14 x 9 x 110							-		6
20	NSP.001	Spring pin	8 x 30							-		16
21	NMS.003	Hexagon nut	M 10							-		32
22	NSK.004	Hexagon head bolt	M 10 x 45							-		32
23	NKS.006	Lifting eye bolt	M 12							-		2
25	NSK.041	Hexagon head bolt	M 12 x 20	DIN 933						-		4
26	PGP.028	Pump housing segment	120							-		6
28	PKA.012	Rotary lobe	120	SBR								6
	PKA.014	Rotary lobe	120	NBR								
	PKA.039	Rotary lobe	120	EPDM-SL						-		
	PKA.017	Rotary lobe	120	FPM								
	PKA.018	Rotary lobe	120	Werobust								
29	PRS.007	Sleeve		For separation plate						-		4
30	PFL.015	Separation plate		Open								2
	PFL.045	Separation plate		One side closed						-		
	PFL.049	Separation plate		Closed								
53	NSP.025	Spring pin	8 x 24									-
54	NSK.002	Hexagon head bolt	M 10 x 35									-

R116

**Material for connectors**

Pos.	Part number	Description	Dimensions	Note	Rep.	60	120	180	240	250	300	360
	NSK.019	Hexagon head bolt	M 8 x 25	DIN 933		16	20	24	28	28	32	36
	NUS.003	Washer	A 8,4 x 16 x 1,6	DIN 125		16	20	24	28	28	32	36
	DFD.001	Gasket	R116-60			2	-	-	-	-	-	-
	DFD.002	Gasket	R116-120			-	2	-	-	-	-	-
	DFD.003	Gasket	R116-180			-	-	2	-	-	-	-
	DFD.004	Gasket	R116-240			-	-	-	2	-	-	-
	DFD.028	Gasket	R116-300			-	-	-	-	-	2	-
	DFD.040	Gasket	R116-360			-	-	-	-	-	-	2
	PFL.001	Flange	R116-60			2	-	-	-	-	-	-
	PFL.002	Flange	R116-120			-	2	-	-	-	-	-
	PFL.003	Flange	R116-180			-	-	2	-	-	-	-
	PFL.004	Flange	R116-240			-	-	-	2	-	-	-
	PFL.011	Flange	R116-300			-	-	-	-	-	2	-
	PFL.098	Flange	R116-360			-	-	-	-	-	-	2

**Operating material**

Pos.	Part number	Description	Dimensions	Note	Rep.	60	120	180	240	250	300	360
	DDM.004	Curil sealing material		For asbestos-free gaskets					x			
	BKL.013	WEICONLOCK gasketing	AN305-74	For bearing housings					x			
	BSS.008	Grease	Renolit CP	For bearing					x			
	BSS.006	Mineral oil		Titan Gear MP 90					x			

**Tools**

Pos.	Part number	Description	Dimensions	Note	Rep.	60	120	180	240	250	300	360
	PMS.004	Lock nut wrench							x			

**Required spare parts for rotary lobe change**

Pos.	Part number	Description	Dimensions	Note	Rep.	60	120	180	240	250	300	360
5	DAD.009	Gasket		For PTO shaft		4						
				For motor shaft long		6						
				For hollow shaft		8						
12	DOR.008	O-ring	40 x 2	NBR		8						
17	NPF.012	Fitting key	B 14 x 9 x 110			-	2	2	4	4	4	4
	NPF.011	Fitting key	B 14 x 9 x 56			-	-	-	-	-	2	4
	NPF.014	Fitting key	B 14 x 9 x 45			2	-	2	-	-	-	-
27	DAD.010	Gasket		Pump housing segment		4	4	8	8	4	10	12
28	PKA.003	Rotary lobe	116-60 2K	SBR		2	-	2	-	-	2	4
	PKA.012	Rotary lobe	116-120 2K	SBR		-	2	2	4	-	4	4
	PKA.005	Rotary lobe	116-60 2K	NBR		2	-	2	-	-	2	4
	PKA.014	Rotary lobe	116-120 2K	NBR		-	2	2	4	-	4	4
	PKA.039	Rotary lobe	116-60 2K	EPDM-SL		2	-	2	-	-	2	4
	PKA.038	Rotary lobe	116-120 2K	EPDM-SL		-	2	2	4	-	4	4
	PKA.009	Rotary lobe	116-60 2K	FPM		2	-	2	-	-	2	4
	PKA.017	Rotary lobe	116-120 2K	FPM		-	2	2	4	-	4	4
	PKA.008	Rotary lobe	116-60 2K	Werobust		2	-	2	-	-	2	4
	PKA.018	Rotary lobe	116-120 2K	Werobust		-	2	2	4	-	4	4
	PKA0198	Rotary lobe	116-120 2K	CSM		-	2	2	4	-	4	4
28	PKD0261	Rotary lobe	116-250 3F60L HiFlo	NBR		-	-	-	-	1	-	-
	PKD0262	Rotary lobe	116-250 3F60R HiFlo	NBR		-	-	-	-	1	-	-
	PKD0263	Rotary lobe	116-250 3F60L HiFlo	EPDM-SL		-	-	-	-	1	-	-
	PKD0264	Rotary lobe	116-250 3F60R HiFlo	EPDM-SL		-	-	-	-	1	-	-
	PKD0267	Rotary lobe	116-250 3F60L HiFlo	FPM		-	-	-	-	1	-	-
	PKD0268	Rotary lobe	116-250 3F60R HiFlo	FPM		-	-	-	-	1	-	-
	PKD0265	Rotary lobe	116-250 3F60L HiFlo	CSM		-	-	-	-	1	-	-
	PKD0266	Rotary lobe	116-250 3F60R HiFlo	CSM		-	-	-	-	1	-	-
35	DAD.011	Gasket		Cork		1						
42	PRS.102	Strain bolt	M 16 x 80	DIN 6912		2						
	NSR.002	Retaining ring (fabrication before Jan/04)	AS 45 x 2,5	In case of repairing pumps without strain screw (fabrication before Jan/04) please install additionally these retaining ring!		(2)						
43	DKR.005	Copper ring	C 16 x 22 x 2	DIN 7603		4						

**Deviating spare parts for three-chamber design:**

17	NPF.012	Fitting key	B 14 x 9 x 110			-							6
28	PKA.012	Rotary lobe	120	SBR		-							6
	PKA.014	Rotary lobe	120	NBR									
	PKA.039	Rotary lobe	120	EPDM-SL									
	PKA.017	Rotary lobe	120	FPM									
	PKA.018	Rotary lobe	120	Werobust									

**Required spare parts for mechanical seal change**

Pos.	Part number	Description	Dimensions	Note	Rep.	60	120	180	240	250	300	360
1	NIR.011	Inner ring	LR 35 x 40 x 20	For PTO shaft						2		
				For motor shaft long					1			
				For hollow shaft					-			
2	DWD.016	Radial shaft seal ring	AS 40 x 55 x 8	For PTO shaft						2		
				For motor shaft long					1			
	DWD.073	Radial shaft seal ring	AS 45 x 58 x 7	For hollow shaft						1		
5	DAD.009	Gasket		For PTO shaft							4	
				For motor shaft long								
				For hollow shaft						6		
7	NMN.002	Slotted nut	M 45 x 1,5	PTO shaft							2	
				Motor shaft long								
				Hollow shaft						1		
8	NLG.006	Ball bearing	6209							2		
9	DWD.021	Plug disk	6209 AV							4		
10	DWD.007	Radial shaft seal ring	AB 55 x 80 x 10							4		
12	DOR.008	O-ring	40 x 2	NBR							8	
13	NIR.010	Inner ring	JR 45 x 55 x 22	For PTO shaft							4	
				For motor shaft								
				For hollow shaft						5		
14	PRS.021	Extracting ring								2		
17	NPF.012	Fitting key	B 14 x 9 x 110			-	2	2	4	4	4	4
	NPF.011	Fitting key	B 14 x 9 x 56			-	-	-	-	-	2	4
	NPF.014	Fitting key	B 14 x 9 x 45			2	-	2	-	-	-	-
27	DAD.010	Gasket		Pump housing segment		4	4	8	8	4	10	12
35	DAD.011	Gasket		Cork							1	
36	PRS.022	Extracting ring		Grooved							2	
37	NLG.033	Ball bearing	6209.2RSR	Sealed							2	
42	PRS.102	Strain bolt	M 16 x 80	DIN 6912							2	
	NSR.002	Retaining ring (fabrication before Jan/04)	AS 45 x 2,5	In case of repairing pumps without strain screw (fabrication before Jan/04) please install additionally these retaining ring!							(2)	
43	DKR.005	Copper ring	C 16 x 22 x 2	DIN 7603							4	

**Deviating spare parts for three-chamber design:**

17	NPF.012	Fitting key	B 14 x 9 x 110									6
----	---------	-------------	----------------	--	--	--	--	--	--	--	--	---

\* Check pos. 8 + 14 + 36 + 37 during change of seal and change only if required.

**Required spare parts for wear part replacement**

Pos.	Part number	Description	Dimensions	Note	Rep.	60	120	180	240	250	300	360
1	NIR.011	Inner ring	LR 35 x 40 x 20	For PTO shaft					2			
				For motor shaft long				1				
				For hollow shaft				-				
2	DWD.016	Radial shaft seal ring	AS 40 x 55 x 8	For PTO shaft					2			
				For motor shaft long				1				
	DWD.073	Radial shaft seal ring	AS 45 x 58 x 7	For hollow shaft					1			
5	DAD.009	Gasket		For PTO shaft					4			
				For motor shaft long								
				For hollow shaft						6		
7	NMN.002	Slotted nut	M 45 x 1,5	PTO shaft					2			
				Motor shaft long								
				Hollow shaft					1			
8	NLG.006	Ball bearing	6209						2			
9	DWD.021	Plug disk	6209 AV							4		
10	DWD.007	Radial shaft seal ring	AB 55 x 80 x 10								4	
12	DOR.008	O-ring	40 x 2	NBR								8
13	NIR.010	Inner ring	JR 45 x 55 x 22	For PTO shaft					4			
				For motor shaft								
				For hollow shaft					5			
14	PRS.021	Extracting ring										2
17	NPF.012	Fitting key	B 14 x 9 x 110			-	2	2	4	4	4	4
	NPF.011	Fitting key	B 14 x 9 x 56			-	-	-	-	-	2	4
	NPF.014	Fitting key	B 14 x 9 x 45			2	-	2	-	-	-	-
27	DAD.010	Gasket		Pump housing segment		4	4	8	8	4	10	12
28	PKA.003	Rotary lobe	116-60 2K	SBR		2	-	2	-	-	2	4
	PKA.012	Rotary lobe	116-120 2K	SBR		-	2	2	4	-	4	4
	PKA.005	Rotary lobe	116-60 2K	NBR		2	-	2	-	-	2	4
	PKA.014	Rotary lobe	116-120 2K	NBR		-	2	2	4	-	4	4
	PKA.039	Rotary lobe	116-60 2K	EPDM-SL		2	-	2	-	-	2	4
	PKA.038	Rotary lobe	116-120 2K	EPDM-SL		-	2	2	4	-	4	4
	PKA.009	Rotary lobe	116-60 2K	FPM		2	-	2	-	-	2	4
	PKA.017	Rotary lobe	116-120 2K	FPM		-	2	2	4	-	4	4
	PKA.008	Rotary lobe	116-60 2K	Werobust		2	-	2	-	-	2	4
	PKA.018	Rotary lobe	116-120 2K	Werobust		-	2	2	4	-	4	4
	PKA0198	Rotary lobe	116-120 2K	CSM		-	2	2	4	-	4	4
28	PKD0261	Rotary lobe	116-250 3F60L HiFlo	NBR		-	-	-	-	1	-	-
	PKD0262	Rotary lobe	116-250 3F60R HiFlo	NBR		-	-	-	-	1	-	-
	PKD0263	Rotary lobe	116-250 3F60L HiFlo	EPDM-SL		-	-	-	-	1	-	-
	PKD0264	Rotary lobe	116-250 3F60R HiFlo	EPDM-SL		-	-	-	-	1	-	-
	PKD0267	Rotary lobe	116-250 3F60L HiFlo	FPM		-	-	-	-	1	-	-
	PKD0268	Rotary lobe	116-250 3F60R HiFlo	FPM		-	-	-	-	1	-	-
	PKD0265	Rotary lobe	116-250 3F60L HiFlo	CSM		-	-	-	-	1	-	-
	PKD0266	Rotary lobe	116-250 3F60R HiFlo	CSM		-	-	-	-	1	-	-
31	PSP.001	Wear plate							2			
	PSP.001.E	Wear plate		Stainless steel								
35	DAD.011	Gasket		Cork					1			
36	PRS.022	Extracting ring		Grooved						2		
37	NLG.033	Ball bearing	6209.2RSR	Sealed						2		

Continuation see next page

Pos.	Part number	Description	Dimensions	Note	Rep.	60	120	180	240	250	300	360
42	PRS.102	Strain bolt	M 16 x 80	DIN 6912					2			
	NSR.002	Retaining ring (fabrication before Jan/04)	AS 45 x 2,5	In case of repairing pumps without strain screw (fabrication before Jan/04) please install additionally these retaining ring!					(2)			
43	DKR.005	Copper ring	C 16 x 22 x 2	DIN 7603					4			
50	NMK.001	Hexagon nut	M 10	DIN 985					4			
51	DKR.001	Copper ring	C10 x 16 x 1						4			
52	NSK.002.EE	Hexagon head bolt	M 10 x 35	DIN 933					4			
29	PRS.007	Sleeve		For separation plate		-	-	2	2	-	2	2
30	PFL.015	Separation plate		Open								
	PFL.045	Separation plate		One side closed		-	-	1	1	-	1	1
	PFL.049	Separation plate		Closed								

**Option – withdrawing separation plate**

72	PFL.619	Separation plate		Inside; top		-	-	1	1	-	1	1
73	PFL0098	Separation plate		Inside; bottom		-	-	1	1	-	1	1

Pos. 29 + 30 are not required for the option

**Deviating spare parts for three-chamber design:**

Pos.	Part number	Description	Dimensions	Note	Rep.	60	120	180	240	250	300	360
17	NPF.012	Fitting key	B 14 x 9 x 110						-			6
28	PKA.012	Rotary lobe	120	SBR								6
	PKA.014	Rotary lobe	120	NBR								
	PKA.039	Rotary lobe	120	EPDM-SL					-			
	PKA.017	Rotary lobe	120	FPM								
	PKA.018	Rotary lobe	120	Werobust								
29	PRS.007	Sleeve		For separation plate					-			4
30	PFL.015	Separation plate		Open								2
	PFL.045	Separation plate		One side closed					-			
	PFL.049	Separation plate		Closed								



**VOGELSANG**



**Hugo Vogelsang Maschinenbau GmbH**

Holthöge 10-14  
49632 Essen/Oldb.

Phone: +49 (0) 54 34 83 0  
Fax: +49 (0) 54 34 83 10

vogelsang-gmbh.com  
info@vogelsang-gmbh.com

**ENGINEERED TO WORK**

**Australien**  
**Vogelsang Pty. Ltd.**  
vogelsang.com.au

**Indien**  
**Vogelsang India Private Limited**  
vogelsangindia.com

**Russland**  
**Vogelsang Russland**  
vogelsang.ru

**Brasilien**  
**Vogelsang Brasil Ltda.**  
vogelsang.com.br

**Irland**  
**Vogelsang Ireland**  
vogelsang.ie

**Schweden**  
**Vogelsang Sverige AB**  
vogelsang.se

**China**  
**Vogelsang Mechanical Engineering (Shanghai) Co., Ltd.**  
vogelsang.com.cn

**Italien**  
**Vogelsang Italy Srl**  
vogelsang-srl.it

**Spanien**  
**Vogelsang S.L.**  
vogelsang.es

**Dänemark**  
**Vogelsang A/S**  
vogelsang-as.dk

**Malaysia**  
**Vogelsang Malaysia**  
vogelsang.info

**Südkorea**  
**Vogelsang Korea Co., Ltd.**  
vogelsang.co.kr

**Deutschland - Niederlassung Ost**  
**Vogelsang Lutherstadt Eisleben**  
vogelsang-gmbh.com

**Mexico**  
**Vogelsang De México S.de R.L. de CV**  
vogelsang.mx

**Tschechische Republik**  
**Vogelsang CZ s.r.o.**  
vogelsang-czech.cz

**Finnland**  
**Vogelsang Oy**  
vogelsang.fi

**Polen**  
**Vogelsang Poland Sp. z o.o.**  
vogelsang.pl

**USA**  
**Vogelsang USA Ltd.**  
vogelsangusa.com

**Frankreich**  
**Vogelsang France S.A.R.L.**  
vogelsang.fr

**Österreich**  
**Vogelsang Austria GmbH**  
vogelsang-austria.at

**Großbritannien**  
**Vogelsang Ltd.**  
vogelsang.co.uk

**Rumänien**  
**Vogelsang Romania SRL**  
vogelsang.ro